



2024

FOR YOUR HOME.  
FOR YOUR OFFICE.  
FOR YOUR LIFE.

# FORKS VALLEY WOODWORKING





# BEAUTIFUL, DURABLE & VERSATILE

Each style in the Forks Valley collections is unique in its own way and each decorator has many styles from which to choose depending on the effect desired. When reviewing our offerings, please remember that the choice of woods... oak, cherry, brown maple, hickory or quartersawn white oak... enhances the versatility of each style so rustic pieces or more modern pieces can blend well with most any room decor.

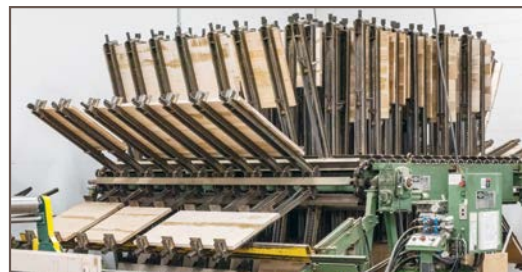
## TABLE OF CONTENTS

- Occasionals..... 46
- Media Stands, Cabinets & Consoles ..... 82
- Wall Units..... 110
- Corner Media Consoles & Hutches ..... 126
- Bookcases & Stereo Cabinets .... 132
- Home Office & Business Furnishings ..... 150
- Glass, Mullions & Hardware Options ..... 196
- Dimensional Details ..... 199
- Warranty ..... inside back cover

**Forks Valley Woodworking** respectfully reserves the right to make changes at any time to prices, materials, specifications, hardware, colors/finishes, models and to discontinue models without notice or obligation. Color reproductions are as close as photographic and print reproduction will allow. All woods and finishes show some degree of variation due to the natural characteristics of wood.



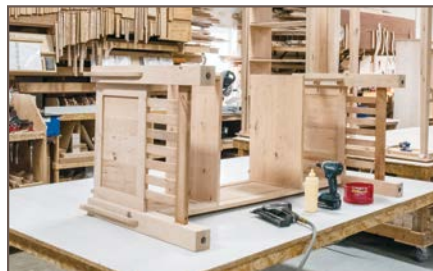
Fine furniture is only as good as the wood used to build it. At Forks Valley, we only accept the highest grade North American hardwoods, painstakingly selected for beauty, strength and straightness. Boards are cut to size, color-sorted and grain-matched before being bonded together with a permanent furniture glue to create extremely durable tops and sides for our furniture.



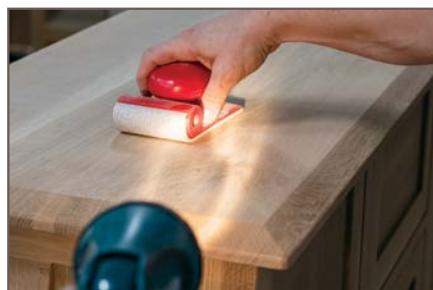
No automated assembly lines. No mass production. Our furniture is hand-constructed by experienced craftsmen specifically trained in Forks Valley manufacturing methods. We use specialized equipment to produce uniform raised panel doors and time-tested joinery methods – mortise & tenon, dovetail, mitered, tongue & groove – for solid quality through and through.



We plane and sand then sand again using a combination of careful machine and meticulous hand sanding. This attention to detail is vital to giving each piece a smooth, silky surface ready for application of the perfect custom finish.



Haste is never part of our process. There is no rushing a work of art destined to be a lasting reflection of your lifestyle and values. The final finish is trusted only to a master craftsman who skillfully applies the stain to ensure a smooth, even coat. In the last step of the manufacturing process, a protective varnish gives the piece a lustrous and tough surface that resists damage caused by normal use.



Before any Forks Valley furniture leaves our workshop, it undergoes a rigorous all-over inspection. If the smallest imperfection in wood, finish, mechanics or hardware is found, the problem is resolved and the piece goes through the entire inspection process once more. The final result is heirloom quality furniture, each piece unique and admired for generations to come.

# Artesa Collection

The elegantly rugged look of the Artesa style adds character to any room and fits as easily into a chic, modern condo as in a rustic log home. With arches, corbels and strongly tapered legs, Artesa furniture inspires compliments from all who see it.

Occasionals .....	48-49
Media Stands / Cabinets .....	84, 106
Wall Units .....	112
Corner Media Consoles / Hutches .....	128, 130
Bookcases .....	134, 144, 146
Home Office .....	152-157



COLLECTIONS



# Artesa

COLLECTIONS



FVET-A  
End Table



FVCS-A  
Chair Side End Table



FVCT-A  
Coffee Table



FVCT-A-LT  
Lift-Top Coffee Table



FVST-A  
Sofa Table



FVCT-38R-A  
Round Coffee Table



FVCT-A-GT  
Glass-Top Coffee Table



FVET-A-DWR  
End Table w/Drawer



FVCT-A-DWR  
Coffee Table w/Drawer



FVST-A-DWR  
Sofa Table w/Drawers



FVE-3663-A-BP  
Media Stand



FVE-048-A  
Media Stand



FVE-060-A-BP  
Media Stand



FVE-072-A-BP  
Media Stand



FVE-3672-A-FP  
Media Stand with fireplace



FVE-193-A  
3-Piece Wall Unit



FVE-060-A  
Two-Piece Media Cabinet



FVE-191-A  
Wall Unit (Center Unit Only)



FVE-3060-A  
Corner Media Console



FVE-053-A-BP  
Corner Media Console



FVE-053-A  
2-Piece Corner Media Console w/Hutch

# Artesa



FVB-011-A-6ft  
72" Bookcase



FVB-010-A  
80" Bookcase



FVB-5466-A  
66" Bookcase



FVBR-4DR-A  
Barrister Bookcase



FVB-012-A-6ft  
72" Double Bookcase



FVD-2849-A  
Desk



FVD-2654-A  
Writer's Desk



FVD-3365-A  
Curved Top Desk (only  
finished back)



FVD-7878L-A  
L Desk  
2-piece desk base



FVD-2865-HT-A  
2-Piece Desk & Hutch Top



FVL-2144-A  
Lateral File Credenza



FVF-2DWR-A  
2-Drawer File Cabinet  
unfinished back



FVLC-063-A  
Lateral File  
Credenza

FVD-2865-A  
Desk (only  
unfinished  
back)



FVD-7872L-A  
L Desk



FVD-3371-A-S/S  
Sit-to-Stand Desk  
finished back



FVD-7878L-HT-A  
L Desk  
3-piece desk base & hutch



FVBB-2590-A  
Backbar (1-piece base)



FVF-2DWR-A-F  
2-Drawer File Cabinet  
finished back



FVBB-2590-HT-A  
Backbar  
4-piece base & hutch



FVL-2144-HT-A  
2-piece Lateral File Credenza  
with bookcase

# Boulder Creek Collection

Gently curved legs, black wood inlays, and arched skirts distinguish the Boulder Creek collection. This contemporary look adds a touch of warmth and classic style to any entertainment or living room.

Hand made by skilled Amish craftsmen, Boulder Creek furniture is available in a choice of sustainably harvested hardwoods.

Occasionals .....	50-51
Media Stands / Cabinets .....	85-86, 106
Wall Units .....	113
Corner Media Consoles / Hutches .....	128, 130
Bookcases .....	135, 144, 146
Home Office .....	158-166



# Boulder Creek



FVCT-BC  
Coffee table w/Drawer



FVET-22R-BC  
Round End Table



FVCT-38R-BC  
Round Coffee Table



FVET-BC  
End Table



FVCT-BC-LT  
Lift-Top Coffee Table



FVCT-BC-EN  
Enclosed Coffee Table



FVST-BC-EN  
Enclosed Sofa Table



FVET-BC-EN  
Enclosed End Table



FVCS-BC  
Chair Side End Table



FVCT-BC-EN-LT  
Enclosed Lift-top Coffee Table



FVST-BC  
Sofa Table



FVE-032-BC-BP  
Media Stand



FVE-3663-BC-BP  
Media Stand



FVE-060-BC36  
Media Stand



FVE-048-BC  
Media Stand



FVE-060-BC-BP  
Media Stand



FVE-2060-BC  
Two-Piece Media Cabinet



FVE-060-BC  
Two-Piece Media Cabinet



FVE-072-BC-BP  
Media Stand



FVE-049-BC  
6-Piece Wall Unit with Adj. Bridge



FVE-2956-BC  
Corner Media Console



FVE-053-BC-BP  
Corner Media Console



FVE-053-BC  
2-Piece Corner Media Console with Hutch

# Boulder Creek



FVB-011-BC-6ft  
72" Bookcase



FVB-010-BC  
80" Bookcase



FVB-011-BC-5ft  
60" Bookcase



FVBR-4DR-BC  
Barrister Bookcase



FVB-012-BC-6ft  
Double Bookcase



FVD-3371-BC-S/S  
Sit-to-Stand Desk



FVD-2849-BC  
Desk



FVD-2654-BC  
Writer's Desk



FVD-7882L-BC-S/S  
Sit-to-Stand L Desk



# Boulder Creek



FVD-2865-DT-BC  
2-piece Desk & Topper



FVF-2DWR-BC-F  
2-Drawer File Cabinet  
finished back



FVF-2DWR-BC  
2-Drawer File Cabinet  
unfinished back



FVD-3365-BC  
Desk (only)  
finished back



FVD-7878L-BC  
L Desk  
2-piece desk base



FVD-6660L-BC  
2-piece L Desk



FVLC-063-BC  
Lateral File Credenza



FVD-7878L-HT-BC  
L Desk  
3-piece desk base & hutch



FVD-7872L-BC  
2-piece L Desk

FVD-2865-BC  
Desk (only)  
unfinished  
back



FVD-2865-HT-BC  
2-Piece Base & Hutch Top



FVBB-2590-HT-BC  
Backbar  
4-pc. base & hutch



FVL-2144-BC  
Lateral File Credenza



FVBB-2590-BC  
Backbar 1-piece base



FVL-2144-HT-BC  
2-piece Lateral File Credenza  
with bookcase

# Bridger Mission Collection

Versatile arts & crafts styling with flowing  
corbels accenting simple lines.

Bookcases ..... 136, 147  
Home Office ..... 167



# Bridger Mission



FVB-010-BM  
Bookcase



FVB-011-BM-5ft  
Bookcase



FVB-011-BM-4ft  
Bookcase



FVB-012-BM-6ft  
Double Bookcase



FVD-3049-BM  
Desk



FVD-3065-BM  
Desk

# Carlisle Collection

Conservatively avant garde with raised door inserts and softly splayed legs.

Occasionals .....52-53

Media Stands ..... 87



FVCS-CR  
Chair Side End Table



FVET-CR  
End Table



FVCT-CR  
Coffee Table



FVCT-CR-LT  
Lift-Top Coffee Table



FVST-CR  
Sofa Table



FVCT-CR-EN  
Enclosed Coffee Table



FVCT-CR-EN-LT  
Enclosed Lift-Top Coffee Table



FVST-CR-EN  
Enclosed Sofa Table



FVET-CR-EN  
Enclosed End Table



FVE-3263-CR  
Media Stand



FVE-072-CR  
Media Stand

# CENTENNIAL Collection

Arts and crafts mission characteristics are accented by the rich grains of any of four popular hardwoods. In all Centennial pieces, storage is a key feature. Imagine the artful presence of this collection in any room where family and friends gather.

Occasionals .....	54-55
Media Stands / Cabinets .....	88, 107
Corner Media Consoles.....	128
Home Office .....	168



# CENTENNIAL



FVET-CN  
End Table



FVCS-CN  
Chair Side End Table



FVCT-CN  
Coffee Table w/Drawer



FVCT-CN-LT  
Lift-Top Coffee Table



FVST-CN  
Sofa Table



FVCT-CN-EN-LT  
Enclosed Lift-Top Coffee Table



FVCT-CN-EN  
Enclosed Coffee Table



FVST-CN-EN  
Enclosed Sofa Table



FVET-CN-EN  
Enclosed End Table



FVE-032-CN-BP 36  
Media Stand



FVE-031-CN  
Media Stand



FVE-032-CN-BP  
Media Stand



FVE-072-CN-BP  
Media Stand



FVE-05-CN  
Media Entertainment Center



FVE-06-CN  
Media Entertainment Center



FVD-7272L-HT-CN  
L Desk  
3-piece desk base & hutch



FVE-2956-CN  
Corner Media Console



FVD-7272L-CN  
L Desk  
2-piece desk base

# Colbran Collection

Colbran's tapered sides and exposed tenons provide it a unique blend of contemporary and traditional Mission styling. Its strength and durability make it a family-friendly choice that will be used and treasured for decades.

Occasionals .....	56-57
Media Stands / Cabinets .....	89
Wall Units .....	114
Bookcases .....	144
Home Office .....	169-170



# Colbran



FVET-CB  
End Table



FVCT-CB  
Coffee Table



FVCT-CB-LT  
Lift-Top Coffee Table



FVST-CB  
Sofa Table



FVET-CB-EN  
Enclosed End Table



FVCT-CB-EN  
Enclosed Coffee Table



FVCT-CB-EN-LT  
Enclosed Lift-Top Coffee Table



FVST-CB-EN  
Enclosed Sofa Table



FVE-032-CB-BP  
Media Stand



FVE-031-CB  
Media Stand



FVE-072-CB-BP  
Media Stand



FVE-193-CB  
4-Piece Wall Unit



FVE-191-CB  
2-Piece Wall Unit



FVBR-4DR-CB  
Barrister Bookcase



FVD-2865-CB  
Desk  
unfinished back



FVD-3365-CB  
Desk  
finished back



FVD-2849-CB  
Desk  
unfinished back



FVF-2DWR-CB  
2 Drawer  
File Cabinet  
unfinished back



FVF-2DWR-CB-F  
2 Drawer  
File Cabinet  
finished back

# Classic Collection

Raw hardwood's natural beauty transformed by artisans into treasured heirlooms.

Media Stands .....	103
Corner Media Consoles.....	129
Stereo Cabinets.....	149



FVE-024-C-XL  
Media Stand  
w/Optional Swivel



FVE-033-C  
Corner Media Console



FVE-026-C  
Stereo Cabinet

# Craftsman Collection

Frank Lloyd Wright influences like leaded glass and mortise & tenon accents create environmental tranquility.

Bookcases.....	145
Home Office.....	171



FVD-3065-CM  
Writer's Desk



FVD-2654-CM-S/S  
Electric Sit-to-Stand Writer's Desk



FVBR-4DR-CM  
Barrister Bookcase



FVD-2654-CM  
Writer's Desk (no lift)



# DOVER Collection

The Dover Collection adds a quiet elegance to any business or home office. Details like raised-look side panels, radiused corners, and understated arches inspire productive thoughts while reflecting your success. And, with so many available options, this upscale set easily fits the style of its surroundings and the needs of its user.

Bookcases .....	137
Home Office .....	172



FVB-010-D  
Bookcase



FVB-011-D-6ft  
Bookcase



FVB-011-D-5ft  
Bookcase



FVD-2849-D  
Desk



FVD-3065-D  
Desk  
finished back



FVD-2865-D  
Desk

# Ensenada Collection

Ensenada's artistic profile adds an elegantly casual air to any room, inviting guests to enjoy the surroundings you've created and inspiring plenty of well-deserved compliments.

Occasionals .....	58-59
Media Stands / Cabinets .....	90
Wall Units .....	115-116
Bookcases .....	138, 147
Home Office .....	173-176



# Ensenada



FVCS-EN  
Chair Side  
End Table



FVET-EN  
End Table



FVCT-EN  
Coffee Table with Drawer



FVET-22R-EN  
Round End Table



FVCT-38R-EN  
Round Coffee Table

FVCT-EN-LT  
Lift-Top Coffee Table



FVST-EN  
Sofa Table



FVET-EN-EN  
Enclosed End Table



FVCT-EN-EN  
Enclosed Coffee Table



FVST-EN-EN  
Enclosed Sofa Table



FVCT-EN-EN- LT  
Enclosed Lift-Top Coffee Table



FVE-3463-EN  
Media Stand



FVE-3463-EN-FP  
Media Stand with fireplace



FVE-072-EN  
Media Stand



FVB-010-EN  
80" Bookcase



FVE-85110-EN  
6-Piece Wall Unit



FVE-36110-EN  
3-Piece Wall Unit



FVE-058-EN  
6-Piece Wall Unit with Adj. Bridge

# Ensenada



FVB-011-EN-6ft  
72" Bookcase



FVB-5466-EN  
66" Bookcase



FVB-012-EN 6ft  
Double Bookcase



FVD-3365-EN  
Desk  
finished back



FVD-2865-EN  
Desk  
unfinished back



FVD-2654-EN  
Writer's Desk



FVD-6660L-EN  
L Desk  
2-piece desk base



FVD-7878L-HT-EN  
L Desk  
3-piece desk base  
& hutch



FVD-2849-EN  
Desk  
unfinished back



FVD-7878L-EN  
L Desk  
2-piece  
desk base



FVL-2144-EN  
Lateral File Credenza



FVF-2DWR-EN  
2 Drawer File Cabinet  
unfinished back



FVF-2DWR-EN-F  
2 Drawer File Cabinet  
finished back



FVLC-063-EN  
Lateral File Credenza

# FINLAND Collection

Gracefully demure in style with gentle arches and clean, flowing lines.

Occasionals ..... 60  
Media Stands ..... 91



FVET-FL-EN  
Enclosed End Table



FVET-FL  
End Table



FVCT-FL  
Coffee Table w/Drawer



FVST-FL  
Sofa Table



FVST-FL-EN  
Enclosed Sofa Table



FVE-3463-FL  
Media Stand



FVE-072-FL  
Media Stand

# FORKS CONTEMPORARY MISSION Collection

Simply mission done the Forks Valley way with arched glass door tops and mullions.

Media Cabinets ..... 108



FVE-039-FCM  
2-Piece Media Cabinet

# Grant Collection

Charmingly warm, solidly built Craftsman furniture with authentically duplicated lines and hardware.

Home Office .....177-179



# Grant



FVD-2865-HT-GR  
2-Piece Desk & Hutch

FVD-2865-GR  
Desk  
unfinished back



FVD-3365-GR  
Desk  
finished back



FVD-2849-GR  
Desk; unfinished back



FVLC-063-GR  
Lateral File Credenza



FVF-2DWR-GR  
2 Drawer File Cabinet  
unfinished back



FVD-2654-GR-S/S  
Electric Sit-to-Stand Desk



FVD-7878L-HT-GR  
L Desk  
3-piece desk base & hutch



FVD-7878L-GR  
L Desk  
2-piece desk base



FVF-2DWR-GR-F  
2 Drawer File Cabinet  
finished back

# Hoosier Heritage Collection

Traditionally Timeless decorative feet and inset door arches create a sturdy classic look.

Wall Units ..... 117  
 Bookcases ..... 139, 148



FVE-049-HH  
 6-Piece Wall Unit  
 w/Adj. Bridge



FVE 049-HH  
 8-Piece Wall Unit  
 w/Adj. Bridge & Optional Side Corner Cabinets



FVB-010-HH  
 Bookcase



FVB-011-HH-5ft  
 Bookcase



FVB-011-HH-4ft  
 Bookcase



FVB-012-HH-6ft  
 1-Piece Double Bookcase



# HOUSTON

## Collection

Metal barn door slides, distressed wood with rough sawn scars and natural marks of aging, antiqued pulls and planked doors give Houston the kind of warm character that says to your family and guests, "Sit down, relax, enjoy your stay."

Occasionals .....	61-62
Media Stands / Cabinets .....	92
Bookcases .....	140
Home Office .....	180



# HOUSTON

same look in smooth finish – see **Timbra** collection pgs 42-43



FVET-HT  
End Table w/Drawer



FVCS-HT  
Chair Side End Table



FVCT-HT  
Coffee Table w/Drawer



FVST-HT  
Sofa Table w/Drawer



FVET-22RS/W-HT  
Round End Table



FVCT-38RS/W-HT  
Round Coffee Table



FVSTS/W-HT  
Sofa Table



FVE-3160-HT  
Media Stand



FVB-010-HT  
Bookcase



FVB-011-HT-6ft  
Bookcase



FVB-011-HT-5ft  
Bookcase



FVE-3172-HT  
Media Stand



FVE-3172-HT-FP  
Media Stand with fireplace



FVD-2865-HT  
Desk



FVD-3365-HT  
Desk

# Kascade Collection

The Kascade Collection is identified by an applied slat side design cohesive with its Mission styling. This grouping subtly reflects the taste of its quality-conscious owner while creating an atmosphere of warm welcoming.

Occasionals .....	63-64
Media Stands / Cabinets .....	93-94, 109
Home Office .....	181-183



# Kascade



FVET-KS  
End Table w/Drawer



FVCT-KS  
Coffee Table w/Drawer



FVCT-KS-LT  
Lift-Top Coffee Table



FVST-KS  
Sofa Table w/Drawer



FVET-KS-EN  
Enclosed End Table



FVCT-KS-EN  
Enclosed Coffee Table



FVCT-KS-EN-LT  
Enclosed Lift-Top Coffee Table



FVST-KS-EN  
Enclosed Sofa Table



FVE-072-KS-BP  
Media Stand



FVE-3663-KS-BP  
Media Stand



FVE-060-KS36  
Media Stand



FVE-048-KS  
Media Stand



FVE-037-KS  
Media Stand



FVE-060-KS-BP  
Media Stand



FVF-2DWR-KS  
2-Drawer File Cabinet  
unfinished back



FVE-060-KS  
2-Piece Media Cabinet



FVE-2060-KS  
2-Piece Media Cabinet



FVD-3365-KS  
Desk  
finished back



FVF-2DWR-KS-F  
2-Drawer File Cabinet  
finished back



FVD-2865-KS  
Desk  
unfinished back



FVD-2849-KS  
Desk



FVD-2865-DT-KS  
2-Piece Desk



FVLC-063-KS  
Lateral File Credenza

# Lexington Collection

Visually captivating bevels, insets and applied architectural elements showcase woodworking skills.

Occasionals ..... 65  
Media Stands / Cabinets ..... 95



FVET-LX  
End Table w/Drawer



FVCT-LX  
Coffee Table w/Drawer



FVST-LX  
Sofa Table w/Drawer



FVET-LX-EN  
Enclosed End Table



FVST-LX-EN  
Enclosed Sofa Table



FVE-072-LX  
Media Stand



FVE-3663-LX  
Media Stand



FVE-3163-LX  
Media Stand

# LEXINGTON ARC Collection

Showcasing skilled Midwestern workmanship, contemporary standard hardware and Arts & Crafts-inspired leaded glass, Lexington Arc furniture adds stunning visual appeal to your favorite space. Your visitors will notice the unique details and admire your good taste.

Occasionals .....	66-68
Media Stands / Cabinets .....	96
Bookcases .....	145
Home Office .....	184-186



# LEXINGTON ARC



FVCS-LA  
Chair Side  
End Table



FVET-LA  
End Table



FVCT-LA  
Coffee Table



FVST-LA  
Sofa Table



FVCT-LA-LT  
Lift-Top Coffee  
Table



FVET-22R-LA  
Round End Table



FVCT-38R-LA  
Round Coffee Table



FVET-LA-EN  
Enclosed End Table



FVET-2424TWLR-LA  
round end table



FVCT-3820TWLR-LA  
round coffee table



FVST-1948TWL-LA  
Sofa Table



FVST-LA-EN  
Enclosed Sofa Table



FVE-3163-LA  
Media Stand



FVE-072-LA  
Media Stand

# LEXINGTON ARC



FVBR-4DR-LA  
Barrister Bookcase



FVD-3065-LA  
Desk  
finished back



FVD-2865-LA  
Desk  
unfinished back



FVD-2849-LA  
Desk  
unfinished back



FVL-2144-LA  
Lateral File Credenza



FVD-3365-LA  
Desk  
finished back



FVF-2DWR-LA  
2-Drawer File Cabinet  
unfinished back



FVF-2DWR-LA-F  
2-Drawer File Cabinet  
finished back



FVD-7878L-LA  
L Desk  
2-piece desk base



FVLC-063-LA  
Lateral File Credenza



FVD-7878L-HT-LA  
L Desk  
3-piece desk base & hutch



# MANHATTAN MISSION Collection

Eclectically modern with dentil molding and geometric design details.

Wall Units .....118-119



FVE-193-MM  
3-Piece Wall Unit



FVE-191-MM  
1-Piece Wall Unit



FVE-049-MM  
6-Piece Wall Unit w/Adj. Bridge

# Marina

## Collection

Sleek and chic with vibes of the beach... in any living room, Marina occasional furniture fills your space with invitations of casual relaxation and mellow moods even if the nearest lake or ocean is miles away.

Occasionals .....	69
Media Stands / Cabinets .....	97
Bookcases .....	141
Home Office .....	187-188



# Marina



FVCS-MA  
Chair Side End Table



FVET-MA  
End Table



FVCT-MA  
Coffee Table



FVE-3463-MA  
Media Stand



FVST-MA-EN  
Enclosed  
Sofa Table



FVE-072-MA  
Media Stand



FVB-010-MA  
Bookcase



FVB-011-MA-6ft  
Bookcase



FVLC-063-MA  
Lateral File Credenza



FVD-2858-MA  
Desk with  
finished back



FVD-7878L-MA  
L Desk  
2-piece desk base



FVD-7878L-HT-MA  
L Desk  
3-piece desk base & hutch

# Modesto Collection

Blocky tapered legs give the Modesto style an authoritative stance, while exposed joinery and tenons honor its old world roots. Flush inset doors and drawers create a simple, clean, look that allows Modesto furniture to meld with and complement any surroundings.

Occasionals .....	70-71
Media Stands / Cabinets .....	98
Wall Units .....	120-121
Corner Media Consoles.....	131
Bookcases .....	142, 145, 148



# Modesto



FVCS-MD  
Chair Side  
End Table



FVET-MD  
End Table



FVCT-MD  
Coffee Table w/Drawer



FVCT-MD-LT  
Lift-Top Coffee Table



FVST-MD  
Sofa Table



FVET-MD-EN  
Enclosed End Table



FVCT-MD-EN  
Enclosed Coffee Table



FVCT-MD-EN-LT  
Lift-Top Enclosed Coffee Table



FVST-MD-EN  
Enclosed Sofa Table



FVE-032-MD-BP36"  
Media Stand



FVE-031-MD  
Media Stand



FVE-032-MD-BP  
Media Stand



FVE-072-MD-BP  
Media Stand



FVE-053-MD-BP  
Corner Media Console



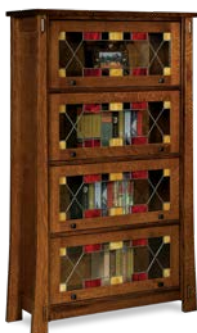
FVE-049-MD  
6-Piece Wall Unit w/Adj. Bridge



FVE-051-MD  
6-Piece Wall Unit w/Adj. Bridge  
& Angled Side Cabinets



FVE-053-MD  
2-Piece Corner Media  
Console w/Hutch



FVBR-4DR-MD  
Barrister Bookcase



FVB-010-MD  
Bookcase



FVB-011-MD-6ft  
Bookcase



FVB-5466-MD  
Bookcase



FVB-012-MD-6ft  
Double Bookcase (1-Piece Unit)

# Old Classic Sleigh Collection

The Old Classic Sleigh style is characterized by rolling shapes and graceful curves on the front with flush-fit drawers and doors. It boldly states its presence in any room it occupies while surrounding its guests with warm acceptance.

Occasionals .....	72-73
Media Stands / Cabinets .....	99, 108
Wall Units .....	122
Corner Media Consoles.....	131
Bookcases .....	143, 149



# Old Classic Sleigh



FVET-OCS  
End Table



FVCT-OCS  
Coffee Table w/Drawer



FVCT-OCS-LT  
Lift-Top Coffee Table



FVST-OCS  
Sofa Table w/Optional Shelf



FVET-OCS-EN  
Enclosed End Table



FVCT-OCS-EN  
Enclosed Coffee Table



FVST-OCS-EN  
Enclosed Sofa Table



FVE-031-OCS  
Media Stand



FVE-043-OCS-BP  
Media Stand



FVE-072-OCS-BP  
Media Stand



FVE-053-OCS-BP  
Corner Media Console



FVE-043-OCS  
2-Piece Media Cabinet



FVE-058-OCS  
6-Piece Wall Unit w/Adj. Bridge



FVE-053-OCS  
2-Piece Corner Media Console w/Hutch



FVB-011-OCS-5ft  
Bookcase



FVB-011-OCS-6ft  
Bookcase



FVB-010-OCS  
Bookcase



FVE-026-OCS  
Stereo Cabinet

# SARATOGA

## Collection

Its distinctive curves, deep beveled edges and skillfully routed accents will initially draw your attention, but look closer...there are so many more treasures to be discovered. Saratoga is the perfect blend of modern chic and old world craftsmanship.

Occasionals .....	75
Media Stands / Cabinets .....	100
Home Office .....	189-191





# SARATOGA



FVET-24R-ST  
Round End Table



FVCT-38R-ST  
Coffee Table



FVST-ST  
Sofa Table



FVE-3474-ST  
Media Stand



FVD-2654-ST  
Writer's Desk



FVD-3068-ST  
Desk  
finished back



FVD-3367-ST  
Desk  
finished back



FVBB-2074-HT-ST  
2-Piece Back Bar & Hutch Top

FVBB-2074-ST  
Back Bar  
base only

# Sierra Collection

Pronounced bowed legs gracefully ground each Sierra piece and flow upward to solid hardwood tops with chamfered edges. This versatile style blends well with any décor, yet stands out with its beautifully artistic elegance.

Occasionals .....	76
Media Stands / Cabinets .....	100



# RENO Collection

Art in motion best describes the fluid lines characterizing this versatile style.

Occasionals ..... 74  
Media Stands ..... 100



FVET-RN  
End Table



FVCT-RN  
Coffee Table w/Drawer



FVST-RN  
Sofa Table w/Drawer



FVE-3663-RN  
Media Stand



FVET-RN-EN  
Enclosed End Table

# Sierra



FVET-22R-SR  
Round End Table



FVET-24R-SR  
Round End Table



FVCT-38R-SR  
Coffee Table



FVCT-38RGT-SR  
Glass-Top Coffee Table



FVST-SR  
Sofa Table



FVET-SR  
End Table



FVE-3463-SR  
Media Stand

# TIMBRA

## Collection

If you want your furniture to show your warm hospitality, the rustic charm of Timbra offers a friendly "Welcome to our home" to all who enter. Whether its surroundings are contemporary, traditional or industrial, it's right at home.

Occasionals .....	77-78
Media Stands / Cabinets .....	101
Wall Units .....	123-124
Home Office .....	192



# TIMBRA

same look in rough sawn brown maple – see **Houston** collection pgs 23-24



FVET-TB  
End Table



FVCS-TB  
Chair Side  
End Table



FVCT-TB  
Coffee Table



FVST-TB  
Sofa Table



FVET-TB-LET  
End Table  
with live edge top



FVCS-TB-LET  
Chair Side End Table  
with live edge top



FVCT-TB-LET  
Coffee Table  
with live edge top



FVST-TB-LET  
Sofa Table  
with live edge top



FVE-3172-TB  
Media Stand



FVD-3365-TB-LET  
Desk with finished back  
and live edge top



FVE-3160-TB  
Media Stand

FVE-36110-TB  
3pc Base Unit



FVE-3160-TB-LET  
Media Stand  
with live edge top



FVE-85130-TB  
Wall Unit



FVE-85110-TB  
Wall Unit

# Victorian Collection

Romantic revival showcasing fluted columns with bullseye detail and leaded glass.

Media Stands.....	102
Wall Units.....	125
Home Office .....	193-195



FVE-193-VS  
3-Piece Wall Unit



FVE-191-VS  
Center Only



FVE-047-VS-BP  
Media Stand



FVD-2865-VS  
Desk  
with unfinished back



FVD-3365-VS  
Desk with finished back



FVD-7878L-HT-VS  
3pc desk base & hutch



FVD-7878L-VS  
L Desk  
2-piece desk base



FVD-9678U-HT-VS  
4-Piece Desk

# WEST *Lake* Collection

Symmetrically pleasing with elements like rope trim, inset drawer fronts, and soft curves.

Occasionals ..... 79-80  
Media Stands ..... 102



FVET-WL  
End Table w/Drawer



FVST-WL  
Sofa Table w/Drawer



FVCT-WL-LT  
Lift-Top Coffee Table



FVCS-WL  
Chair Side End Table



FVET-WL-EN  
Enclosed End Table



FVST-WL-EN  
Enclosed Sofa Table



FVCT-WL  
Coffee Table w/Drawer



FVE-032-WL-BP  
Media Stand



FVE-031-WL  
Media Stand

# FORKS VALLEY WOODWORKING

## *Better Because ...*



### STANDARDS



5/8" thick dovetailed, full extension, 3/4" deep functional drawers on occasional pieces



Soft close (concealed hinge) doors



Leg levelers on all legs for easy installation



Solid hardwood sides and tops on enclosed occasional pieces



Fully adjustable shelf in enclosed sofa tables



Lift-top coffee tables offer 3 1/4" deep recessed storage area under tops and counter weight balance.

### OPTIONS



Change standard top to 1 1/4" thick Live Edge top on any occasional; add code **LET** after standard product code.



Security tray (9" w x 13" d x 2 1/8" h) on any open end table, keeps standard drawer; add **SCTY** after standard product code. Lock for top also available (must specify).



Solid adjustable shelf in open sofa tables



Power station on any occasional piece, in back, underneath top **PB2-2U**



# Occasionals

From a tasteful accent table to an eye-catching storage solution or display table, Forks Valley has handcrafted the perfect occasional for every space and style...from rustic, to Arts & Crafts, to chic and modern. With so many wood and finish options, each table becomes a customized masterpiece.



OCCASIONALS

# Artesa Occasionals

## Standard Features

A	B	C	D	E	F	
•	•	•	•	•	•	1" Solid top
•	•	•	•	•	•	Solid, 4-sided tapered legs
				•		Recessed storage under top with counter weight
				•		Beveled, tempered glass top



# Artesa Occasionals

## Standard Features

A	B	C	D	
•	•	•	•	1" Solid top
•	•	•	•	Solid, 4-sided tapered legs
•		•	•	Full extension drawers
•		•	•	Hardware = Wrought Iron drawer pull <b>P-2</b> (shown)

## Optional Features

A	B	C	D	
•		•	•	Blum, soft close undermount drawers




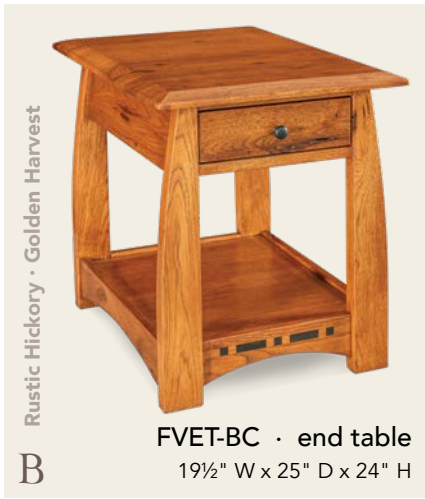
# Boulder Creek Occasionals

## Standard Features

A	B	C	D	E	F	
•	•	•	•	•	•	1" Solid top
	•		•			Full extension drawers
				•		Recessed storage under top with counter weight
	•		•			Hardware = 1" Black knob <b>U</b>

## Optional Features

A	B	C	D	E	F	
	•	•	•	•		Omit inlays (no up charge)
	•					End tables 5" wider
	•		•			Blum, soft close undermount drawers
	•		•			Hardware = <b>O-1</b> (no up charge) 




# Boulder Creek Occasionals

## Standard Features

A	B	C	D	E	
•	•	•	•	•	1" Solid top
•	•			•	Full extension drawers
•		•	•	•	Soft close (concealed hinge) doors
				•	Adj. shelf behind doors
•	•	•	•	•	Hardware = 1" Black knob <b>U</b>

## Optional Features

A	B	C	D	E	
•	•	•	•	•	Omit inlays (no up charge)
•					End tables 5" wider
•	•	•	•	•	Hardware = <b>O-1</b> (no up charge) 



# Carlisle

## Occasionals

### Standard Features

A	B	C	D	E	
•	•	•	•	•	1" Solid top
•		•		•	Full-extension drawers
			•		Recessed storage under top with counter weight
•	•			•	Hardware = 1¼" Round Wood knob <b>A-1</b> (shown)

### Optional Features

A	B	C	D	E	
•		•		•	Blum, soft close undermount drawers
•					End tables 5" wider



# Carlisle Occasionals

## Standard Features

A	B	C	D	
•	•	•	•	1" Solid top
•	•	•	•	Soft close (concealed hinge) doors
•			•	Full-extension drawers
			•	Adj. shelf behind doors
•	•	•	•	Hardware = 1¼" Round Wood knob <b>A-1</b> (shown)

## Optional Features

A	B	C	D	
•				End tables 5" wider



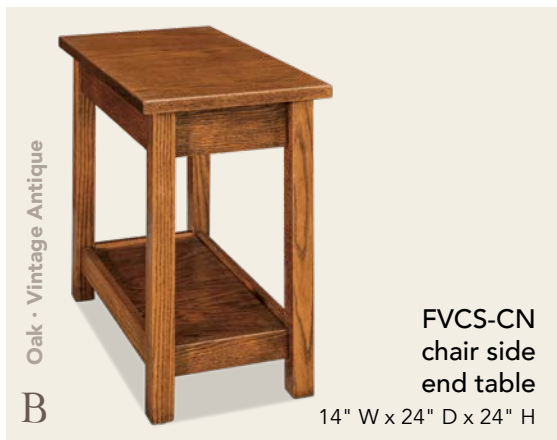
# CENTENNIAL Occasionals

## Standard Features

A	B	C	D	E	
•	•	•	•	•	1" Solid top
•		•		•	Full-extension drawers
			•		Recessed storage under top with counter weight
•	•			•	Hardware = 1" Black Square knob <b>R</b> (shown)

## Optional Features

A	B	C	D	E	
•		•		•	Blum, soft close undermount drawers
•					End tables 5" wider





# CENTENNIAL Occasionals

## Standard Features

A	B	C	D	
•	•	•	•	1" Solid top
•	•	•	•	Soft close (concealed hinge) doors
•			•	Full-extension drawers
			•	Adj. shelf behind doors
•	•	•	•	Hardware = 1" Black Square knob <b>R</b> (shown)

## Optional Features

A	B	C	D	
•				End tables 5" wider



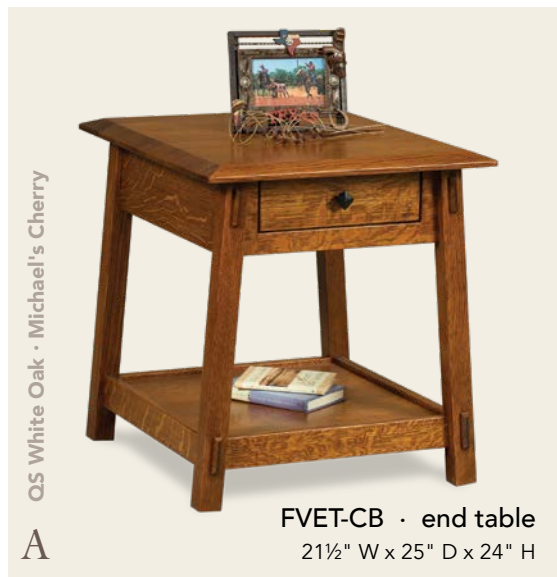
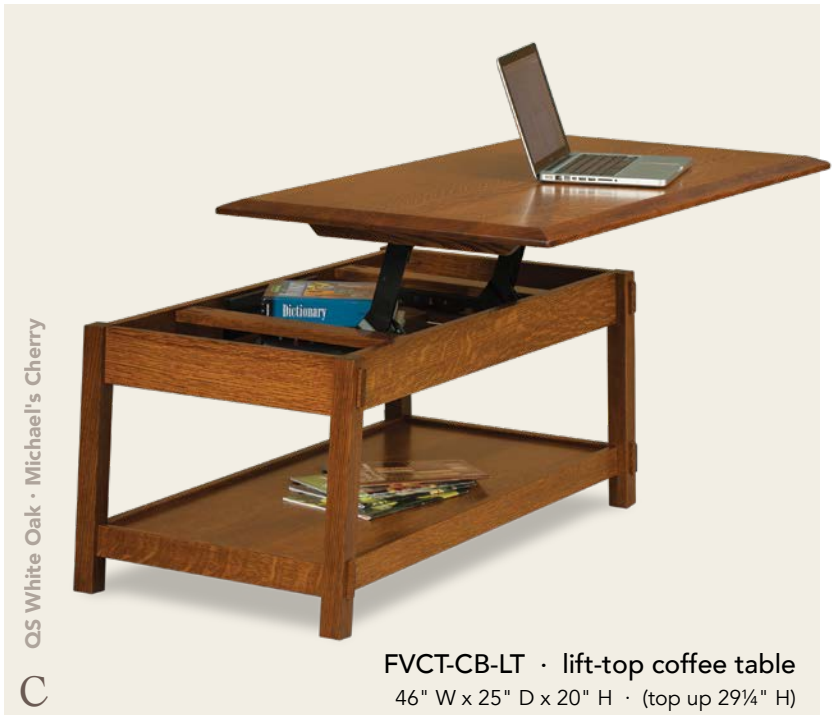
# Colbran Occasionals

## Standard Features

A	B	C	D	
•	•	•	•	1" Solid top
•	•		•	Full-extension drawers
		•		Recessed storage under top with counter weight
•	•		•	Hardware = 1" Black Square knob <b>R</b> (shown)

## Optional Features

A	B	C	D	
•	•		•	Blum, soft close undermount drawers
•				Build as a Chair Side End Table, no drawer; 14" W. Item # <b>FVCS-CB</b>



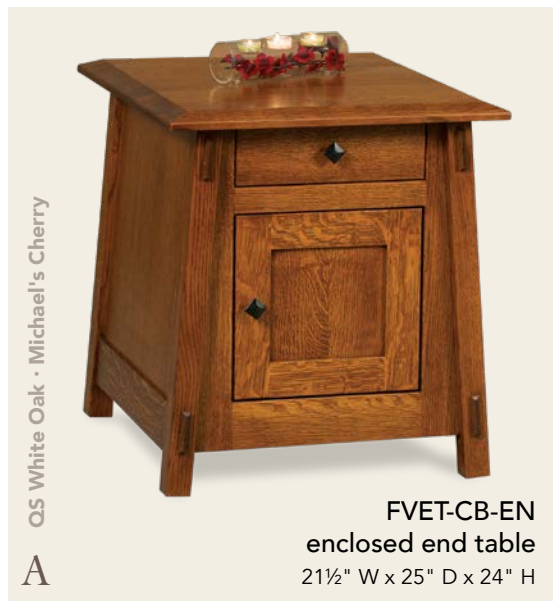
# Colbran Occasionals

## Standard Features

A	B	C	D	
•	•	•	•	1" Solid top
•	•	•	•	Soft close (concealed hinge) doors
•			•	Full-extension drawers
			•	Adj. shelf behind doors
•	•		•	Hardware = 1" Black Square knob <b>R</b> (shown)

## Optional Features

A	B	C	D	
•				End tables 5" wider



# Ensenada

## Occasionals

### Standard Features

A	B	C	D	E	F	
•	•	•	•	•	•	1" Solid top
•			•			Full extension drawers
				•		Recessed storage under top with counter weight
•			•			Hardware = Satin Nickel drawer pull <b>T-2</b> (shown)

### Optional Features

A	B	C	D	E	F	
•						End tables 5" wider
•			•			Blum, soft close undermount drawers
•			•			Hardware = <b>1-B</b> (no up charge)




# Ensenada Occasionals

## Standard Features

A	B	C	D	E	
•	•	•	•	•	1" Solid top
•	•			•	Full extension drawers
•		•	•	•	Soft close (concealed hinge) doors
				•	Adj. shelf behind doors
•	•	•	•	•	Hardware = 1" Satin Nickel knob and drawer pull <b>T-1, T-2</b> (shown)

## Optional Features

A	B	C	D	E	
•					End tables 5" wider
•	•	•	•	•	Hardware = <b>1-A, 1-B</b> (no up charge)




# FINLAND


## Occasionals

### Standard Features

A	B	C	D	E	
•	•	•	•	•	1" Solid top
•	•	•	•	•	Full-extension drawers
	•			•	Soft close (concealed hinge) doors
				•	Adj. shelf behind doors
•	•	•	•	•	Hardware = 1¼" Satin Nickel knob <b>O-1</b> (shown)



### Optional Features

A	B	C	D	E	
•	•	•	•	•	Blum, soft close undermount drawers
•	•				End tables 5" wider
•					Build as Chair Side End Table, no drawer; 14" W. Item # <b>FVCS-FL</b>
•	•	•	•		Hardware = <b>U</b>  (no up charge)



# HOUSTON

## Occasionals

### Standard Features

A	B	C	D	
•	•	•	•	1 1/8" Solid top
	•	•	•	Full-extension drawers
•	•	•	•	Available in Rough Sawn Rustic Brown Maple or White Oak ONLY
	•	•	•	Hardware = Swedish Iron drawer pull <b>7-B</b> (shown)



Optional wooden pegs

Rough Sawn Rustic Brown Maple · Bel Air w/#10 Low Sheen



FVET-HT · end table  
19 1/4" W x 24" D x 24 1/4" H

B

### Optional Features

A	B	C	D	
	•			End tables 5" wider
	•	•	•	Blum, soft close undermount drawers
•	•	•	•	Wooden pegs in legs

same look in smooth finish – see **Timbra** collection pgs 77-78



Rough Sawn Rustic Brown Maple · Bel Air w/#10 Low Sheen

FVCT-HT  
coffee table

43 3/4" W x 24" D x 20 1/4" H

C



Rough Sawn Rustic Brown Maple · Almond w/#10 Low Sheen

FVCS-HT  
chair side end table  
14" W x 24" D x 24 1/4" H

A



Rough Sawn Rustic Brown Maple · Bel Air w/#10 Low Sheen

FVST-HT  
sofa table

43 3/4" W x 17 1/2" D x 31 1/4" H

D

# HOUSTON

## Occasionals

### Standard Features

A	B	C	
•	•	•	1 1/8" Solid top
•	•	•	Available in Rough Sawn Rustic Brown Maple or White Oak ONLY
•	•	•	Black powder-coated steel base

### Optional Features

A	B	C	
•			24" Round End Table, Item # <b>FVET-24RS/W-HT</b>





# Kascade Occasionals

## Standard Features

A	B	C	D	
•	•	•	•	1" Solid top
•	•		•	Full-extension drawers
		•		Recessed storage under top with counter weight
•	•		•	Hardware = 1" Black Square knob <b>R</b> (shown)

## Optional Features

A	B	C	D	
•	•		•	Blum, soft close undermount drawers
•				End tables 5" wider
•				Build as Chair Side End Table, no drawer; 14" W. Item # <b>FVCS-KS</b>



QS White Oak · Michael's Cherry

B

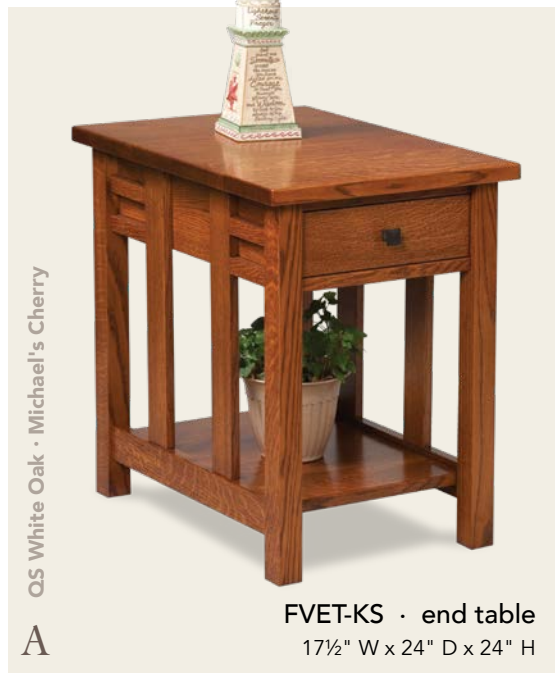
FVCT-KS · coffee table  
42" W x 24" D x 20" H



QS White Oak · Golden Brown

C

FVCT-KS-LT · lift-top coffee table  
42" W x 24" D x 20" H · (top up 29¼" H)



QS White Oak · Michael's Cherry

A

FVET-KS · end table  
17½" W x 24" D x 24" H



QS White Oak · Michael's Cherry

D

FVST-KS · sofa table  
42" W x 17" D x 30½" H

# Kascade Occasionals

## Standard Features

A	B	C	D	
•	•	•	•	1" Solid top
•	•	•	•	Soft close (concealed hinge) doors
•			•	Full-extension drawers
			•	Adj. shelf behind doors
•	•	•	•	Hardware = 1" Black Square knob <b>R</b> (shown)


## Optional Features

A	B	C	D	
•				End tables 5" wider




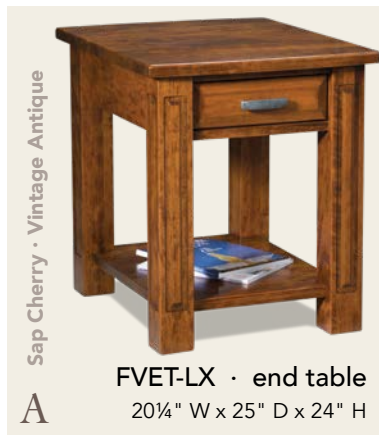
# Lexington Occasionals

## Standard Features

A	B	C	D	E	
•	•	•	•	•	1" Solid top with Boat Shape 
•	•	•	•	•	Full-extension drawers
	•			•	Soft close (concealed hinge) doors
				•	Adj. shelf behind doors
•	•	•	•	•	Hardware = 1 1/4" Wrought Iron knob and Wrought Iron drawer pull <b>W-1</b> , <b>W-2</b> (shown)

## Optional Features

A	B	C	D	E	
•	•	•	•	•	Blum, soft close undermount drawers
•	•				End tables 5" wider
•					Build as Chair Side End Table, no drawer; 14" W. Item # <b>FVCS-LX</b>
•	•	•	•	•	Hardware = <b>4-A</b> , <b>4-B</b> (no up charge) 



# LEXINGTON ARC

## Occasionals

### Standard Features

A	B	C	D	E	
•	•	•	•	•	1" Solid top
•	•	•	•	•	Solid, twisted legs
•		•		•	Full-extension drawers
			•		Recessed storage under top with counter weight
•	•		•	•	Hardware = Satin Nickel drawer pull <b>T-2</b> (shown)

### Optional Features

A	B	C	D	E	
•		•		•	Blum, soft close undermount drawers
•					End table 5" wider
•		•		•	Hardware = <b>1-B</b> (no up charge)



**FVET-LA**  
end table  
21¼" W x 24" D x 24" H



**FVCS-LA**  
chair side end table  
14" W x 24" D x 24" H



**FVCT-LA** · coffee table  
45¾" W x 24" D x 20" H



**FVCT-LA-LT** · lift-top coffee table  
45¾" W x 24" D x 20" H · (top up 29¼" H)



**FVST-LA** · sofa table  
45¾" W x 17½" D x 31" H

# LEXINGTON ARC

## Occasionals

### Standard Features

A	B	C	D	
•	•	•	•	1" Solid top
•	•	•	•	Solid, twisted legs
		•	•	Full-extension drawers
		•	•	Soft close (concealed hinge) doors
		•		Adj. shelf behind doors
		•	•	Hardware = Satin Nickel knob & drawer pull <b>T-1</b> , <b>T-2</b> (shown)

### Optional Features

A	B	C	D	
	•	•		End tables 5" wider
		•	•	Blum, soft close undermount drawers
		•	•	Hardware = <b>1-A</b> , <b>1-B</b> (no up charge)



Brown Maple · Sandstone

A

**FVCT-38R-LA**  
round coffee table  
38" Round x 20" H



Brown Maple · Sandstone

B

**FVET-22R-LA**  
round end table  
22" Round x 24" H



Brown Maple · Sandstone

C

**FVET-LA-EN**  
enclosed end table  
21¼" W x 24" D x 24" H



Brown Maple · Sandstone

D

**FVST-LA-EN**  
enclosed sofa table  
45¾" W x 14¾" D x 31" H

# LEXINGTON ARC

## Occasionals


### Standard Features

A	B	C
•	•	•
•	•	•
		•
		•

- 1" Solid top
- Solid, twisted legs
- Full extension drawers
- Hardware = Satin Nickel drawer pull **T-2** (shown)

### Optional Features

A	B	C
		•
		•

- Blum, soft close undermount drawers
- Hardware = **1-B** (no up charge) 



# Marina

## Occasionals

### Standard Features

A	B	C	D	
•	•	•	•	1" Solid tops and sides
•	•	•	•	Full-extension drawers
•	•	•	•	Locking mitered joints on all corners
			•	Adj. shelf behind doors on left side
•	•	•	•	Hardware = Satin Nickel knob and drawer pulls <b>10-A, 10-B</b> (shown)



### Optional Features

A	B	C	D	
•	•	•	•	Blum, soft close undermount drawers



Locking mitered corners



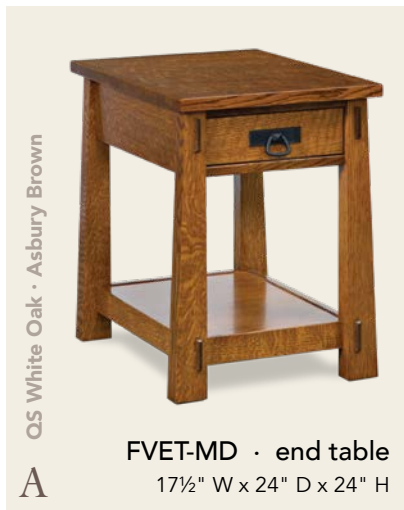
# Modesto Occasionals

## Standard Features

A	B	C	D	E	
•	•	•	•	•	1" Solid top
•		•		•	Full-extension drawers
			•		Recessed storage under top with counter weight
•	•		•	•	Hardware = 1" Black drawer pull <b>L-2</b> (shown)

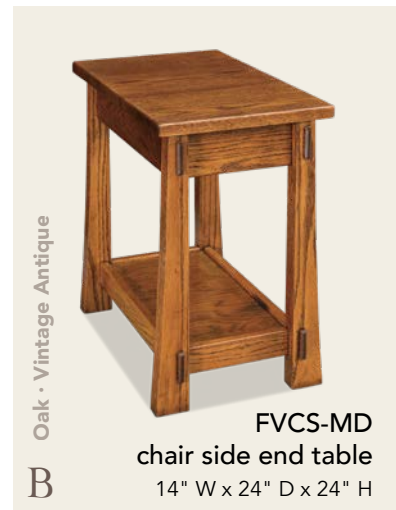
## Optional Features

A	B	C	D	E	
•		•		•	Blum, soft close undermount drawers
•					End tables 5" wider
•		•		•	Hardware = <b>M-2</b> (no up charge)



A

QS White Oak · Asbury Brown  
FVET-MD · end table  
17½" W x 24" D x 24" H



B

Oak · Vintage Antique  
FVCS-MD  
chair side end table  
14" W x 24" D x 24" H



C

QS White Oak · Asbury Brown  
FVCT-MD · coffee table  
42" W x 24" D x 20" H



D

QS White Oak · Asbury Brown  
FVCT-MD-LT · lift-top coffee table  
42" W x 24" D x 20" H · (top up 29¼" H)



E

QS White Oak · Asbury Brown  
FVST-MD · sofa table  
42" W x 17" D x 29" H



# Modesto Occasionals

## Standard Features

A	B	C	D	
•	•	•	•	1" Solid top
•	•	•	•	Soft close (concealed hinge) doors
•			•	Full-extension drawers
			•	Adj. shelf behind doors
•	•	•	•	Hardware = Black door and drawer pull <b>L-1, L-2</b> (shown)

## Optional Features

A	B	C	D	
•				End tables 5" wider
•	•	•	•	Hardware = <b>M-1, M-2</b> (no up charge)



B OS White Oak · Michael's Cherry

**FVCT-MD-EN**  
enclosed coffee table  
42" W x 24" D x 20" H



C OS White Oak · Michael's Cherry

**FVCT-MD-EN-LT**  
enclosed lift-top coffee table  
42" W x 24" D x 20" H (top up 29¼" H)



A OS White Oak · Asbury Brown

**FVET-MD-EN**  
enclosed end table  
17½" W x 24" D x 24" H



D OS White Oak · Asbury Brown

**FVST-MD-EN**  
enclosed sofa table  
42" W x 14¾" D x 29" H

# Old Classic Sleigh Occasionals

## Standard Features

A	B	C	D	
•	•	•	•	1" Solid top
•	•		•	Full-extension drawers
		•		Recessed storage under top with counter weight
•	•		•	Hardware = 1 1/8" Low profile round wood knob <b>C-1</b> (shown)

## Optional Features

A	B	C	D	
•				End tables 5" wider
•				Build as Chair Side End Table, no drawer; 14" W. Item # <b>FVCS-OCS</b>
			•	Solid adj. shelf



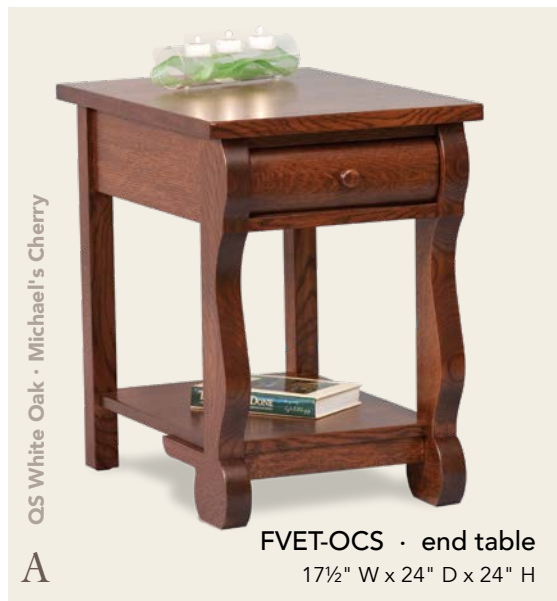
OS White Oak · Michael's Cherry  
B

FVCT-OCS · coffee table  
42" W x 24" D x 20" H



OS White Oak · Michael's Cherry  
C

FVCT-OCS-LT  
lift-top coffee table  
42" W x 24" D x 20" H · (top up 29 1/4" H)



OS White Oak · Michael's Cherry  
A

FVET-OCS · end table  
17 1/2" W x 24" D x 24" H



OS White Oak · Michael's Cherry  
D

FVST-OCS · sofa table  
shown with optional shelf  
42" W x 17" D x 30 1/2" H

# Old Classic Sleigh Occasionals

## Standard Features

A	B	C	
•	•	•	1" Solid top
•	•	•	Full extension drawers
•	•	•	Soft close (concealed hinge) doors
		•	Adj. shelf behind doors
•	•	•	Hardware = 1 1/8", 1 3/4" Low profile round wood knob <b>C-1, C-2</b> (shown)

## Optional Features

A	B	C	
•	•	•	End tables 5" wider



A QS White Oak · Michael's Cherry

**FVET-OCS-EN**  
enclosed end table  
17 1/2" W x 24" D x 24" H



B QS White Oak · Michael's Cherry

**FVCT-OCS-EN**  
enclosed coffee table  
42" W x 24" D x 20" H




C QS White Oak · Michael's Cherry

**FVST-OCS-EN**  
enclosed sofa table  
42" W x 16" D x 30 1/2" H

# RENO

## Occasionals

### Standard Features

A	B	C	D	
•	•	•	•	1" Solid top with Boat Shape 
•	•	•	•	Full-extension drawers
	•			Soft close (concealed hinge) doors
•	•	•	•	Hardware = 1 3/16" Oil Rubbed Bronze knob and drawer pull <b>5-A, 5-B</b> (shown)



Sap Cherry ·  
Vintage Antique

FVET-RN  
end table

A

21 1/4" W x 24" D x 24" H



Sap Cherry ·  
Vintage Antique

FVET-RN-EN  
enclosed end table

B

21 1/4" W x 24" D x 24" H

### Optional Features

A	B	C	D	
•	•	•	•	Blum, soft close undermount drawers
•	•			End tables 5" wider
•				Build as Chair Side End Table, no drawer; 14" W. Item # <b>FVCS-RN</b>
•	•	•	•	Hardware = <b>6-A, 6-B</b> (no up charge)



Sap Cherry · Vintage Antique

FVCT-RN · coffee table

C

45 3/4" W x 24" D x 20" H



Sap Cherry · Vintage Antique

FVST-RN · sofa table

D

45 1/4" W x 18" D x 31" H


# SARATOGA

## Occasionals

### Standard Features

A	B	C	
•	•	•	1" Solid top
•	•	•	Solid, curved base
		•	Full extension drawers
		•	Curved drawer fronts
		•	Hardware = Satin Nickel drawer pull <b>I-2</b> (shown)

### Optional Features

A	B	C	
		•	Blum, soft close undermount drawers
		•	Hardware = <b>J-2</b>  (no up charge)



Sap Cherry · Burnt Umber  
A

FVET-24R-ST  
round end table  
24" Round x 24" H



Sap Cherry · Burnt Umber  
B

FVCT-38R-ST  
round coffee table  
38" Round x 20" H



Sap Cherry · Burnt Umber  
C

FVST-ST  
sofa table  
48" W x 19" D x 31" H

# Sierra Occasionals

## Standard Features

A	B	C	D	E	F	
•	•	•	•	•	•	1" Solid top
						Full extension drawers
				•		Tempered glass top
				•		Hardware = 1¼" Satin Nickel round knob <b>O-1</b> (shown)

## Optional Features

A	B	C	D	E	F	
•						Solid shelf
					•	Blum, soft close undermount drawers



FVET-22R-SR  
round end table  
22" Round x 24" H



FVET-24R-SR  
round end table  
24" Round x 24" H



FVCT-38R-SR  
round coffee table  
38" Round x 20" H



FVCT-38RGT-SR  
round glass-top  
coffee table  
38" Round x 20" H



FVET-SR · end table  
22" W x 24" D x 24" H



FVST-SR · sofa table  
52" W x 17" D x 31" H

# TIMBRA

## Occasionals

### Standard Features

A	B	C	D	
•	•	•	•	1" Solid top
•		•	•	Full-extension drawers
•		•	•	Hardware = Swedish Iron drawer pull <b>7-B</b> (shown)

### Optional Features

A	B	C	D	
•		•	•	Blum, soft close undermount drawers
		•		Build as Lift-Top Coffee Table, no drawer; 43¾" W x 24" D x 20" H. Item # <b>FVCT-TB-LT</b>

same look in rough sawn – see **Houston** collection pg 59-60



# TIMBRA

## Occasionals

### Standard Features

A	B	C	D	
•	•	•	•	1" Solid top
•		•	•	Full-extension drawers
•		•	•	Hardware = Swedish Iron drawer pull <b>7-B</b> (shown)

### Optional Features

A	B	C	D	
•		•	•	Blum, soft close undermount drawers
•	•	•	•	1¼" thick live edge top (as shown), add code <b>LET</b>
•		•	•	Hardware = <b>13-B</b> (no up charge)

same look in rough sawn – see **Houston** collection pg 59-60



Rustic Walnut · Bel Air

FVET-TB-LET  
end table

19¼" W x 24" D x 24" H

A



Sap Cherry · Chestnut

FVCS-TB-LET  
chair side end table

14" W x 24" D x 24" H

B



Rustic Walnut · Bel Air

FVCT-TB-LET  
coffee table

43¾" W x 24" D x 20" H

C



Rustic Walnut · Bel Air

FVST-TB-LET · sofa table

43¾" W x 17½" D x 31" H

D



# WEST *Lake* Occasionals

## Standard Features

A	B	C	D	E	
•	•	•	•	•	1" Solid top
•		•		•	Full extension drawers
			•		Recessed storage under top with counter weight
•	•		•		Hardware = Weathered Nickel drawer pull <b>F-2</b> (shown)

## Optional Features

A	B	C	D	E	
•	•	•	•	•	Omit rope detail (no up charge)
•	•	•	•	•	Omit leg grooves (no up charge)
•		•		•	Blum, soft close undermount drawers



**FVET-WL**  
end table  
22" W x 24" D x 24" H



**FVCS-WL**  
chair side end table  
14" W x 24" D x 24" H



**FVCT-WL**  
coffee table  
42" W x 24" D x 20" H



**FVCT-WL-LT** · lift-top coffee table  
42" W x 24" D x 20" H · (top up 29¼" H)



**FVST-WL**  
sofa table  
42" W x 17" D x 29" H

# WEST *Lake* Occasionals

## Standard Features

A	B	
•	•	1" Solid top
•	•	Full extension drawers
•	•	Soft close (concealed hinge) doors
	•	Adj. shelf behind doors
•	•	Hardware = Weathered Nickel drawer pull and knob <b>F-1, F-2</b> (shown)

## Optional Features

A	B	
•	•	Omit rope detail (no up charge)
•	•	Omit leg grooves (no up charge)
•	•	Blum, soft close undermount drawers





# FORKS VALLEY WOODWORKING

## *Better Because ...*



### STANDARDS



Leg levelers on all legs for easy installation.



5/8" Thick dovetailed, full-extension functional drawers



Solid hardwood sides and tops

Adjustable shelves are made of top grade hardwood plywood with solid nosing the front

Optional solid shelves available upon request



3/4" Raceway in back for easy wiring from shelf to shelf in all component areas.

All shelves are fully adjustable.



#### DVD Boxes or Adjustable DVD Shelf

When adding pocket doors to open TV area with adjustable DVD shelf, DVD shelf changes to DVD drop box and visa versa. When omitting pocket doors, DVD box changes to adjustable DVD shelf. (DVD drop box 5" H x 38" W)

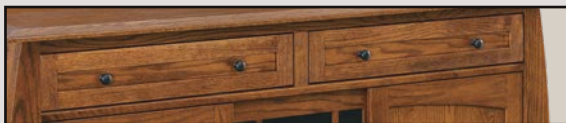


Bottoms underneath media stands (with drawers on bottom) create a dust shield and add sturdiness.

### OPTIONS



Change drawers to open VCR area. When drawers are on the bottom, open VCR area moves above doors (along the top).



Change open VCR area to drawers on any media stand.



1 1/4" thick Live Edge top on any media stand; add code **LET** after standard product code.



Blum – soft close undermount slides



Add 23" wide fireplace to any media stand; add code **FP** after any standard product code.

#### Sound Bar Stands

FVSB-42



FVSB-42 • 14" D x 42" W • interior: 5" H x 38 1/2" W

FVSB-58



FVSB-58 • 14" D x 58" W • interior: 5" H x 54 1/2" W



Add 4 1/4" high open sound bar area along top, on any stand; adds 6" overall height. Add code **SB** after standard product code



LED lighting with dimmable touch switch (warm white)



4 Heavy-duty casters (600 lb. total capacity)

# Media Stands

In widths from 43" to 73", and storage options including shelves, doors, drawers or combination configurations, there is a Forks Valley unit for all TVs, DVD players, game systems and accessories.



# Artesa Media Stands

## Standard Features

A	B	C	D	E	
•	•	•	•	•	Solid, 4-sided tapered legs
	•	•	•	•	Smoked glass
	•	•	•	•	Smooth sliding track for all doors with simple mechanism for easy removal
	•		•	•	2 Adj. shelves behind glass doors
•		•			1 Adj. shelf and cord hole behind each door
			•	•	1 Adj. shelf on left side; 2 hidden drawers with shelf behind right door
•					Soft close, concealed hinge doors
•					23" wide fireplace
•		•	•	•	Hardware = 1" Wrought Iron knob <b>P-1</b> (shown)

## Optional Features

A	B	C	D	E	
•					63" W, side doors get narrower (no up charge)
	•		•	•	Add 4¼" H open sound bar area along top, adds 6" to overall height; add <b>SB</b> after standard product code
	•	•	•	•	Self-positioning, soft-closing sliding doors
	•	•	•	•	Change sliding doors to hinged doors (no up charge)
		•			Change drawers to open VCR area above doors



Hidden Drawers

See page 199 for dimensional details.

Cherry · Earthtone

A



FVE-3672-A-FP  
72" W x 19¾" D x 36" H

QS White Oak · Michael's Cherry

B



FVE-048-A  
48" W x 19¾" D x 30¼" H

Rustic Cherry · Michael's Cherry

C



FVE-3663-A-BP  
63" W x 19¾" D x 36" H

Rustic Cherry · Michael's Cherry

D



FVE-060-A-BP  
63" W x 19¾" D x 30¼" H

Rustic Cherry · Michael's Cherry

E



FVE-072-A-BP  
72" W x 19¾" D x 30¼" H


# Boulder Creek Media Stands

## Standard Features

A	B	C	
•	•	•	Curved, reversed panel sides
•	•	•	Smoked glass
•	•	•	1 adj. shelf behind each door
•			Soft close (concealed hinge) doors
	•	•	Smooth sliding track for all doors with simple mechanism for easy removal
•	•	•	Hardware = 1" Black knob <b>U</b> (shown)



## Optional Features

A	B	C	
•			Add 4¼" H open sound bar area along top, adds 6" to overall height; add <b>SB</b> after standard product code
•	•	•	Omit inlays (no up charge)
•	•		Blum, soft close undermount drawers
•	•		Change drawers to open VCR area above doors
		•	Change open VCR area to drawers
	•	•	Self-positioning, soft-closing sliding doors
	•	•	Change sliding doors to hinged doors (no up charge)
•	•	•	Hardware = <b>O-1</b>  (no up charge)



Sliding Door

See pages 199-200 for dimensional details.


# Boulder Creek Media Stands

## Standard Features

A	B	C	
•	•	•	Curved, reversed panel sides
•	•	•	Smoked glass
•	•	•	Smooth sliding track for all doors with simple mechanism for easy removal
•	•	•	2 Adj. shelves behind glass doors
	•	•	1 Adj. shelf on left side; 2 hidden drawers with shelf behind right door
•	•	•	Hardware = 1" Black knob <b>U</b> (shown)



## Optional Features

A	B	C	
•	•	•	Add 4¼" H open sound bar area along top, adds 6" to overall height; add <b>SB</b> after standard product code
•	•	•	Self-positioning, soft-closing sliding doors
•	•	•	Omit inlays (no up charge)
•	•	•	Change sliding doors to hinged doors (no up charge)
•	•	•	Hardware = <b>O-1</b>  (no up charge)



Sliding Door



Hidden Drawers

See page 200 for dimensional details.



# Carlisle

## Media Stands

### Standard Features

A	B	
•	•	1" Solid top
•	•	Soft close (concealed hinge) doors
•	•	1 Adj. shelf behind each door, with cord hole in back
•	•	Hardware = 1¼", 1½" round wood knob <b>A-1, A-2</b> (shown)

### Optional Features

A	B	
•	•	Add 4¼" H open sound bar area along top, adds 6" to overall height; add <b>SB</b> after standard product code
•	•	Change wood door to smoked glass (no up charge)
•	•	Change open VCR area to drawers
•	•	Blum, soft close undermount drawers



See page 200 for dimensional details.

# CENTENNIAL Media Stands

## Standard Features

A	B	C	D	
•	•	•	•	1" Solid top
•	•	•	•	Smoked glass
•	•	•	•	Soft close (concealed hinge) doors
•	•	•	•	1 Adj. shelf behind each door
		•	•	2 Adj. shelves behind glass doors
•	•	•	•	Hardware = 1" Black square knob <b>R</b> (shown)

## Optional Features

A	B	C	D	
•	•		•	Add 4¼" H open sound bar area along top, adds 6" to overall height; add <b>SB</b> after standard product code
•	•	•	•	Blum, soft close undermount drawers
•	•	•	•	Change drawers to open VCR area above doors
•	•	•	•	Arts & Crafts mullion design <b>MLAC</b> must specify (no up charge)

QS White Oak · Michael's Cherry  
A



FVE-031-CN  
48" W x 18¼" D x 29" H

QS White Oak · Michael's Cherry  
B



FVE-032-CN-BP  
60" W x 18¼" D x 29" H

QS White Oak · Michael's Cherry  
C



FVE-032-CN-BP 36"  
60" W x 18¼" D x 36" H

QS White Oak · Golden Brown  
D



FVE-072-CN-BP  
72" W x 18¼" D x 29" H

See pages 200-201 for dimensional details.

# Colbran

## Media Stands

### Standard Features

A	B	C	
•	•	•	1" Solid top
•	•	•	Solid tapered sides
•	•	•	Smoked glass
•	•	•	Soft close (concealed hinge) doors
•	•	•	1 adj. shelf behind each door
•	•	•	Hardware = 1" Black square knob <b>R</b> (shown)



### Optional Features

A	B	C	
•	•	•	Add 4¼" H open sound bar area along top, adds 6" to overall height; add <b>SB</b> after standard product code
•	•	•	Blum, soft close undermount drawers
•	•	•	Change drawers to open VCR area above doors
•	•	•	Arts & Crafts mullion design <b>MLAC</b> must specify (no up charge)



Arts & Crafts  
mullion design **MLAC**

See pages 200-201 for  
dimensional details.


# Ensenada

## Media Stands

### Standard Features

A	B	C	
•	•	•	Soft close (concealed hinge) doors
•	•	•	1 adj. shelf and cord hole behind each door
	•		23" wide fireplace
•	•	•	Hardware = 1" Satin Nickel knob and drawer pull <b>T-1, T-2</b> (shown)

### Optional Features

A	B	C	
		•	Add 4¼" H open sound bar area along top, adds 6" to overall height; add <b>SB</b> after standard product code
•	•	•	Change wood door to smoked glass (no up charge)
•	•	•	Change open VCR area to drawers
		•	Blum, soft close undermount drawers
•	•	•	Hardware = <b>1-A, 1-B</b> (no up charge) 



See page 201 for dimensional details.

# FINLAND

## Media Stands

### Standard Features

A	B
•	•
•	•
•	•

Soft close (concealed hinge) doors

1 adj. shelf and cord hole behind each door

Hardware = 1¼" Satin Nickel knob **O-1** (shown)

### Optional Features


A	B
•	•
•	•
•	•
•	•
•	•

Add 4¼" H open sound bar area along top, adds 6" to overall height; add **SB** after standard product code

Change wood door to smoked glass (no up charge)

Change open VCR area to drawers

Blum, soft close undermount drawers

Hardware = **U**  (no up charge)



See page 201 for dimensional details.

# HOUSTON

## Media Stands

### Standard Features

A	B	C	
•	•	•	Available in Rough Sawn Rustic Brown Maple or White Oak ONLY
•	•	•	1 Adj. shelf in each compartment
•	•	•	Self-positioning, soft close sliding doors
•	•	•	23" wide fireplace
•	•	•	Hardware = Swedish Iron door pull <b>7-B</b> (shown)



### Optional Features

A	B	C	
•	•	•	Add 4¼" H open sound bar area along top, adds 6" to overall height; add <b>SB</b> after standard product code
•	•	•	Blum, soft close undermount drawers
•	•	•	Wooden pegs in legs
•	•	•	Smooth (not rough sawn) surface; available in all wood species; replace <b>-HT</b> with <b>-TB</b> (example FVE-3160-TB), see page 101
•	•	•	63" W, side doors get narrower (no up charge)



Optional wooden pegs



Optional smooth surface



See page 202 for dimensional details.

# Kascade

## Media Stands

### Standard Features

A	B	C	
•	•	•	Smoked glass
•	•	•	2 Adj. shelves behind glass doors
•	•	•	Smooth sliding track for all doors with simple mechanism for easy removal
	•	•	1 Adj. shelf behind wood doors
	•	•	1 Adj. shelf on left side; 2 hidden drawers with shelf behind right door
	•	•	Hardware = 1" Black square knob <b>R</b> (shown)

### Optional Features

A	B	C	
•	•	•	Add 4¼" H open sound bar area along top, adds 6" to overall height; add <b>SB</b> after standard product code
•	•	•	Self-positioning, soft-closing sliding doors
•	•	•	Change sliding doors to hinged doors (no up charge)



Sliding Door



Hidden Drawers

See page 202 for dimensional details.



# Kascade

## Media Stands

### Standard Features

A	B	C	
•	•	•	2 Adj. shelves behind glass doors
•	•	•	1 Adj. shelf behind wood doors
•	•		Smooth sliding track for all doors with simple mechanism for easy removal
		•	Soft close (concealed hinge) doors
•	•	•	Hardware = 1" Black square knob <b>R</b> (shown)

### Optional Features

A	B	C	
•	•		Self-positioning, soft-closing sliding doors
•	•		Change sliding doors to hinged doors (no up charge)
		•	Blum, soft close undermount drawers
•			Change open VCR area to drawers
		•	Change drawers to open VCR area above doors



See pages 202-203 for dimensional details.




# Lexington Media Stands

## Standard Features

A	B	C
•		• Soft close (concealed hinge) doors
		• Smoked glass
•	•	• 1 Adj. shelf and cord hole behind each door
		• Smooth sliding track for all doors with simple mechanism for easy removal
•	•	• Hardware = 1¼" Wrought Iron knob and drawer pull <b>W-1, W-2</b> (shown)



## Optional Features

A	B	C
•	•	• Add 4¼" H open sound bar area along top, adds 6" to overall height; add <b>SB</b> after standard product code
•	•	• Change wood door to smoked glass (no up charge)
	•	• Blum, soft close undermount drawers
	•	• Self-positioning, soft-closing sliding doors
•		• Change open VCR area to drawers
	•	• Change drawers to open VCR area above doors
•	•	• Hardware = <b>4-A, 4-B</b> (no up charge) 



Sliding Door

See page 205 for  
dimensional details.



# LEXINGTON ARC

## Media Stands

### Standard Features

A	B	
•	•	Soft close (concealed hinge) doors with 1 adj. shelf behind each door
•	•	Hardware = 1" Satin Nickel knob and drawer pull <b>T-1, T-2</b> (shown)

### Optional Features

A	B	
•	•	Add 4¼" H open sound bar area along top, adds 6" to overall height; add <b>SB</b> after standard product code
•	•	Change wood door to smoked glass (no up charge)
•	•	Change open VCR area to drawers
•	•	Blum, soft close undermount drawers
•	•	Hardware = <b>1-A, 1-B</b> (no up charge)



See page 203 for dimensional details.

# Marina

## Media Stands

### Standard Features

A	B	
•	•	1" solid tops and sides
•	•	Locking mitered joints on corners
•	•	Soft close (concealed hinge) doors with 1 adj. shelf behind each door
•	•	Hardware = Satin Nickel knob and drawer pull <b>10-A, 10-B</b> (shown)



### Optional Features

A	B	
•	•	Blum, soft close undermount drawers
•	•	Change open area to drawers
•	•	Change wood door to smoked glass (no up charge)



Locking mitered corners

See page 203 for dimensional details.

# Modesto Media Stands

## Standard Features

A	B	C	D	
•	•	•	•	1" Solid top
•	•	•	•	Smoked glass
•	•	•	•	Soft close (concealed hinge) doors with 1 adj. shelf behind doors
•				2 Adj. shelves behind glass doors
•	•	•	•	Hardware = Black pull and drawer pull <b>L-1, L-2</b> (shown)

## Optional Features

A	B	C	D	
•	•	•	•	Add 4¼" H open sound bar area along top, adds 6" to overall height; add <b>SB</b> after standard product code
•	•	•	•	Blum, soft close undermount drawers
•	•	•	•	Change drawers to open VCR area above doors
•	•	•	•	Mullion design, must specify (no up charge)
•	•	•	•	Hardware = <b>M-1, M-2</b> (no up charge)



Arts & Crafts  
mullion design **MLAC**



Centennial  
mullion design **MLCN**

See pages 200-201 for dimensional details.



A

FVE-032-MD-BP 36"  
with mullion design **MLCN**  
60" W x 18¼" D x 36" H



B

FVE-031-MD  
48" W x 18¼" D x 29" H



C

FVE-032-MD-BP  
60" W x 18¼" D x 29" H



D

FVE-072-MD-BP  
72" W x 18¼" D x 29" H

# Old Classic Sleigh Media Stands

## Standard Features

A	B	C	
•	•	•	1" Solid top
•	•	•	Smoked glass
•	•	•	Soft close (concealed hinge) doors
•	•	•	1 Adj. shelf behind each door
•	•	•	Hardware = 1 1/8", 1 3/4" Low profile round wood knob <b>C-1, C-2</b> (shown)



## Optional Features

A	B	C	
•	•	•	Blum, soft close undermount drawers
•	•	•	Change drawers to open VCR area above doors



Corner Detail

See page 204 for dimensional details.





# RENO, SARATOGA and *Sierra* Media Stands

## Standard Features

A	B	C
•	•	• 1" Solid top
		• Smoked glass
•	•	• Soft close (concealed hinge) doors
•	•	• 1 Adj. shelf behind each door
	•	• Solid curved base, curved drawer fronts
	•	• 2 Adj. shelves behind each door
•		• Hardware = 1 <sup>3</sup> / <sub>16</sub> " Oil Rubbed Bronze knob and drawer pull <b>5-A, 5-B</b> (shown)
	•	• Hardware = 1 <sup>1</sup> / <sub>4</sub> " Satin Nickel knob and drawer pull <b>1-1, 1-2</b> (shown)
	•	• Hardware = 1 <sup>1</sup> / <sub>4</sub> " Satin Nickel knob <b>0-1</b> (shown)

## Optional Features

A	B	C
•	•	• Blum, soft close undermount drawers
•	•	• Change wood door to smoked glass
•	•	• Change open VCR area to drawers
•		• Hardware = <b>6-A, 6-B</b> (no up charge) 
•		• Hardware = <b>J-1, J-2</b> (no up charge) 

See page 204 for dimensional details.



Hickory · Grey Flannel  
A

FVE-3663-RN  
Reno media stand  
63<sup>1</sup>/<sub>2</sub>" W x 19<sup>3</sup>/<sub>4</sub>" D x 36" H



Sap Cherry · Burnt Umber  
B

FVE-3474-ST  
Saratoga media stand  
74" W x 19<sup>3</sup>/<sub>4</sub>" D x 34" H



Sap Cherry · Vintage Antique  
C

FVE-3463-SR  
Sierra media stand  
63" W x 19" D x 34" H

# TIMBRA

## Media Stands

### Standard Features

A	B	C	
•	•	•	1 Adj. shelf in each compartment
•	•	•	Self-positioning, soft close sliding doors
		•	1¼" thick Live edge tops
•	•	•	Hardware = Swedish Iron door pull <b>7-B</b> (shown)



### Optional Features

A	B	C	
•	•	•	Add 4¼" H open sound bar area along top, adds 6" to overall height; add <b>SB</b> after standard product code
•	•	•	Blum, soft close undermount drawers
•	•		1¼" thick live edge top, add code <b>LET</b>
	•		Add 23" W fireplace in center section (no drawer), code <b>FVE-3172-TB-FP</b>



See page 202 for dimensional layouts.

# Victorian and WEST Lake Media Stands

## Standard Features

A	B	C
•	•	•
•	•	•
•		
	•	•
	•	•
	•	•
•		
	•	•

- Smoked glass
- Soft close (concealed hinge) doors
- 2 Adj. shelves behind each door
- 1" Solid top
- 1 Adj. shelf behind each door
- Mitered corners on doors and drawer fronts
- Hardware = Oil rubbed bronze knob and drawer pull **S-1, S-2** (shown)
- Hardware = Weathered Nickel drawer pull and knob **F-1, F-2** (shown)



## Optional Features

A	B	C
•	•	•
•	•	•
•	•	•
	•	•

- Add 4¼" H open sound bar area along top, adds 6" to overall height; add **SB** after standard product code
- Blum, soft close undermount drawers
- Change glass doors to wood
- Change drawers to open VCR area above doors

See pages 200-201 and 204  
for dimensional details.



# Classic Mission Media Stands

## Standard Features

A	B
•	•
•	•
•	•
•	•

- Soft close (concealed hinge) doors
- 1 Adj. shelf behind each door
- Hardware = 1¼" Round wood knob **A-1** (shown)
- Hardware = 1¼" Square pyramid wood knob **B-1** (shown)

## Optional Features

A	B
•	•
•	•
•	•

- Swivel top (34" W x 15¾" D)
- Change wood doors to smoked glass (no up charge)
- Cathedral arch top doors



Cathedral arch top door option

See page 204 for dimensional details.



Oak - Nutmeg

A

**FVE-024-C-XL**  
Classic media stand  
with optional swivel  
43" W x 17¾" D x 29¼" H



QS White Oak - Michael's Cherry

B

**FVE-024-M-XL**  
Mission media stand  
43" W x 17¾" D x 29¼" H

# Value-Dressed

The Forks Valley value-dressed line is moderately priced, yet features the same high-quality construction, hand craftsmanship and attention to style details found in all our solid wood media and entertainment furniture.

## DURHAM Media Stands

### Standard Features

A	B	
•	•	Solid top
•	•	Plywood sides
•	•	Available in oak, cherry, hickory, quarter sawn white oak, and brown maple
•	•	DVD opening 5" H
•	•	Hardware = 1¼" Round wood knob <b>A-1</b> (shown)



# Media Cabinets & Entertainment Centers

In widths from 43" to 73", and storage options including shelves, doors, drawers or combination configurations, there is a Forks Valley unit for all TVs, DVD players, game systems and accessories.





Hidden Drawers



Sliding Door

See page 205 for dimensional details.

Rustic Cherry · Michael's Cherry



FVE-060-A

63" W x 19¼" D x 82½" H ( 50" wide TV area)

QS White Oak · Golden Brown



FVE-060-BC

63" W x 19¼" D x 80" H (50" wide TV area)

# Artesa Boulder Creek Media Cabinets



## Standard Features

A	B	C	
•	•	•	Two-piece unit
•	•	•	Smoked glass
•	•	•	Smooth sliding track for all doors with simple mechanism for easy removal
•			Solid, 4-sided tapered legs
•	•		Curved, solid reversed panel sides
•	•		Bifold pocket doors
•	•		2 Hidden drawers with shelf behind right door, 1 adj. shelf behind left door, 2 adj. shelves in center
•		•	1 Adj. shelf behind wood doors, 2 adj. shelves behind glass door
•			Hardware = 1" Wrought Iron knob <b>P-1</b> (shown)
•	•		Hardware = 1" Black knob <b>U</b> (shown)

QS White Oak · Golden Brown




FVE-2060-BC

63" W x 20¼" D x 80" H (45" wide TV area)

C

## Optional Features

A	B	C	
•	•	•	LED touch light above shelf in hutch
•	•	•	Self-positioning, soft-closing sliding doors
•	•		Hardware = <b>O-1</b> (no up charge) 

# CENTENNIAL

## Entertainment Centers

### Standard Features

A	B
•	•
•	
•	
•	
•	
•	
•	
•	

- Soft close (concealed hinge) doors
- Smoked glass
- Bifold pocket doors
- 2 Adj. shelves behind glass doors
- 5 Adj. shelves in stereo area
- Hardware = 1" Black square knob **R** (shown)

### Optional Features

A	B
•	
•	
•	
•	
•	
•	

- DVD drop box
- Omit bifold pocket doors (adds 7" to TV area width)
- Add bifold pocket doors (deducts 7" to TV area width)
- Adjustable shelf above TV
- Blum, soft close undermount drawers



A



B

See page 205 for dimensional details.

# FORKS

CONTEMPORARY MISSION &

*Old Classic Sleigh*

## Media Cabinets

### Standard Features

A	B	
•	•	Two-piece unit
•	•	Soft close (concealed hinge) doors
•		Top: 2 solid 1" tops with bevel
•		Smoked glass in bifold pocket doors
•		DVD drop box
•		Clear beveled glass in stereo door
•		3 Adj. shelves behind stereo door
•		Smoked glass
•		Adjustable shelf above TV
•		1 Adj. shelf behind each door
•		Hardware = 1¼" Black Nickel knob <b>E</b> (shown)
•		Hardware = 1⅛", 1¾" Low profile round wood knob <b>C-1</b> , <b>C-2</b> (shown)



### Optional Features

A	B	
•		Replace DVD drop box with DVD compartment under TV (no up charge)
•		Omit bifold pocket doors (adds 7" to TV area width)
•		LED touch light above shelf in hutch
•		Blum, soft close undermount drawers

See page 206 for dimensional details.

# Kascade

## Media Cabinets

### Standard Features

A	B	
•	•	Two-piece unit with smoked glass
	•	Bifold pocket doors
	•	1 Adj. shelf each side
•	•	2 adj. shelves behind glass doors
•	•	1 Adj. shelf behind left door; 2 hidden drawers with shelf behind right door
	•	DVD drop box
	•	Adjustable shelf above TV
•	•	Smooth sliding track for all doors with simple mechanism for easy removal
•	•	Hardware = 1" Black square knob <b>R</b> (shown)



A  
OS White Oak · Michael's Cherry

FVE-060-KS  
63¾" W x 19¾" D x 80¼" H  
(52¼" wide TV area)

### Optional Features

A	B	
•	•	Self-positioning, soft-closing sliding doors
•		LED touch light above shelf in hutch



Sliding Door



Hidden Drawers

See page 206 for dimensional details.



B  
Cherry · CF-S-14 Medium Cherry

FVE-2060-KS  
66¼" W x 21½" D x 73¾" H · (49" wide TV area)

# FORKS VALLEY WOODWORKING

## *Better Because ...*



### STANDARDS



Dimmable LED touch lighting on all lights (warm white)



Leg levelers on all legs for easy installation.

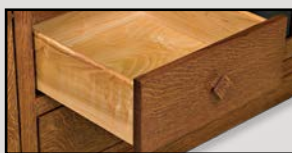


Soft close (concealed hinge) doors

### OPTIONS



Add 5" high sound bar compartment to wall unit consoles on **FVE-049, 051** (Adds 6 $\frac{3}{4}$ " height to console, must specify when ordering)



Blum, soft close undermount slides



Add 23" wide fireplace to any wall unit console; add code **FP** after any console product code.



Sliding back panel on console for easy wiring access. 24" W x 12" H (must specify)



Remove 4" depth from any complete media wall



On all FVE-049, 051, or 058 Wall Units: eliminate the bridge & shelf above TV and hanging back; make as a 3-piece unit. Add code **3PC** (ex. FVE-049-MD-45 $\frac{1}{2}$ -3PC)

$\frac{3}{4}$ " Thick back in TV area to hang TV on for any wall unit



4 Heavy-duty casters (600 lb. total capacity) on wall unit consoles **FVE-049,051,058**



# Media Wall Units

What sophisticated work of art should grace the wall of a large living room, a spacious family room or any other room needing an exceptional focal point? A Forks Valley wall unit is the perfect answer. Bonuses include lots of storage, room for displaying treasures, and the warm beauty of solid wood.



# Artesa

## 3pc Wall Unit

Center unit available in  
4 TV widths, specify when ordering.

45½" W | 50½" W | 55½" W | 60½" W

### Standard Features

A	B	
•	•	Smoked glass in center piece door
•	•	Soft close (concealed hinge) doors
•	•	Leg levelers
•	•	Adjustable shelf with touch lighting above TV area
•	•	1 Adj. shelf behind each wood door
•	•	LED touch lighting with 6 adj. glass shelves
•	•	For wider widths – glass door stays constant, wooden doors get wider
•	•	Hardware = 1" Wrought Iron knob <b>P-1</b> (shown)



### Optional Features

A	B	
•	•	Make center unit 2 pieces
•	•	Remove 4" depth on complete wall unit
•	•	Add bifold pocket doors to TV area (36½" TV area height, removes 7" from TV area width, open above TV area)

See complete options list on pg 110

See page 207 for dimensional details.



# Boulder Creek

## 6pc Wall Unit

Center unit available in 5 TV widths,  
specify when ordering.

45½" W | 50½" W | 55½" W


60½" W | 68½" W



### Standard Features

- Curved, solid reversed panel sides
- Smoked glass in console door
- Soft close (concealed hinge) doors
- Leg levelers
- Console included, bolted to side cabinets
- 1 Adj. shelf behind each wood door
- Adjustable shelf below bridge
- Full hanging back behind TV area
- LED touch lighting with 3 adj. glass shelves in each side cabinet
- For wider widths – glass door stays constant, wooden doors get wider
- Hardware = 1" Black knob **U** (shown)

### Optional Features

- Heavy duty casters (console only)
- Remove 4" depth on complete wall unit
- Hardware = **O-1**  (no up charge)

See complete options list on pg 110

See page 207 for dimensional details.



# Ensenada

## 6pc Wall Unit

### Standard Features

- Self-positioning, soft close barn doors on top
- Soft close (concealed hinge) doors on base
- Leg levelers
- 3 pc. base is bolted together
- 1 Adj. shelf behind each door
- 2 Adj. shelves on each side, on top
- Hardware = Satin nickel door pull **9-B** (shown)



### Optional Features

- Available in 60½" W TV area, standard depth and height; complete unit 20" wider; center console 3 doors; sides 1 drawer, 2 door base. **FVE-85130-EN**
- Adjustable shelf above TV
- Satin nickel door hangers and track
- 1/4" Thick, full hanging back behind TV area
- 3/4" Thick back to hang TV on
- Omit barn doors on top
- Add touch lights with glass shelves in top, side cabinets

See complete options list on pg 110



FVE-36110-EN · 3pc Base only  
110¾" W x 18¾" D x 36" H



Optional full hanging back



Optional satin nickel door hangers & track

See page 212 for dimensional details.

# Ensenada

## 6pc Wall Unit

Center unit available in 5 TV widths,  
specify when ordering.

45½" W | 50½" W | 55½" W

60½" W | 68½" W




Sap Cherry · Asbury Brown

FVE-058-EN  
includes console  
specify width when ordering

## Standard Features

- Soft close (concealed hinge) doors
- Leg levelers
- Console included, bolted to side cabinets
- 1 Adj. shelf behind each wood door
- Adjustable shelf below bridge
- Full hanging back behind TV area
- LED touch lighting with 3 adj. glass shelves in each side cabinet
- For wider widths – glass door stays constant, wooden doors get wider
- Hardware = 1" Satin Nickel knob and drawer pull **T-1, T-2** (shown)

## Optional Features

- Heavy duty casters (console only)
- Change center wood door to smoked glass door in console (no up charge)
- Remove 4" depth on complete wall unit
- Hardware = **1-A, 1-B** (no up charge) 

See complete options list on pg 110

See page 208 for dimensional details.

# Hoosier Heritage

## 6pc Wall Unit

Center unit available in 5 TV widths,  
specify when ordering.

45½" W | 50½" W | 55½" W

60½" W | 68½" W

### Standard Features

- Smoked glass in console door
- Soft close (concealed hinge) doors
- Leg levelers
- Console included, bolted to side cabinets
- 1 Adj. shelf behind each console door
- Adjustable shelf below bridge
- Full hanging back behind TV area
- LED touch lighting with 3 adj. glass shelves in each side cabinet
- For wider widths – glass door stays constant, wood doors get wider
- Hardware = 1¼" Oil rubbed bronze knob and drawer pull **S-1, S-2** (shown)

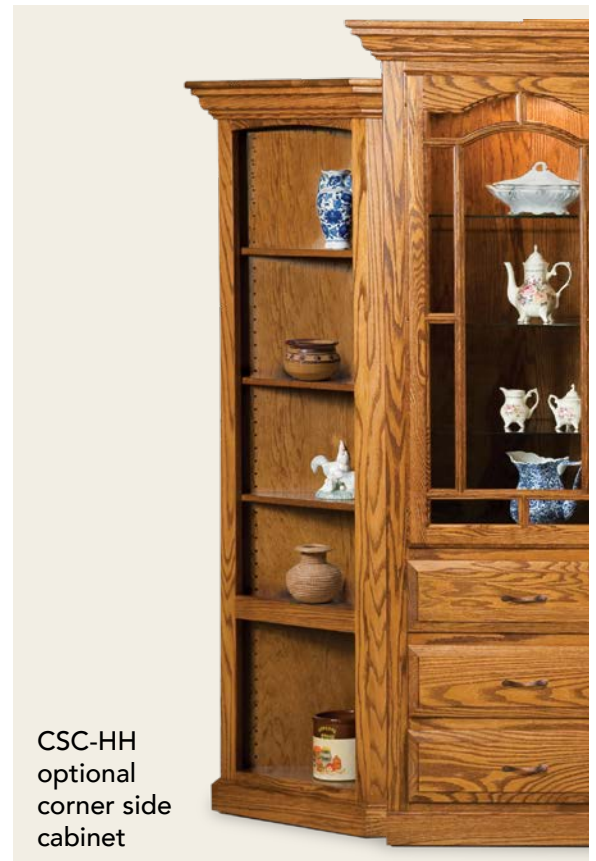


### Optional Features

- Corner side cabinets. **CSC-HH**
- Remove 4" depth on complete wall unit
- Heavy duty casters (console only)

See complete options list on pg 110

See page 209 for dimensional details.



# MANHATTAN MISSION

## 3pc Wall Unit

Center unit available in  
4 TV widths, specify when ordering.

45½" W | 50½" W | 55½" W | 60½" W

### Standard Features

A	B	
•	•	Soft close (concealed hinge) doors
•	•	Leg levelers
•	•	Adjustable shelf with touch lighting above TV area
•		2 Hidden full-extension drawers behind bottom door on both side cabinets
•		LED touch lighting with 6 adj. glass shelves
•	•	For wider widths – glass door stays constant, wooden doors get wider
•	•	Hardware = 1" Black square knob <b>R</b> (shown)

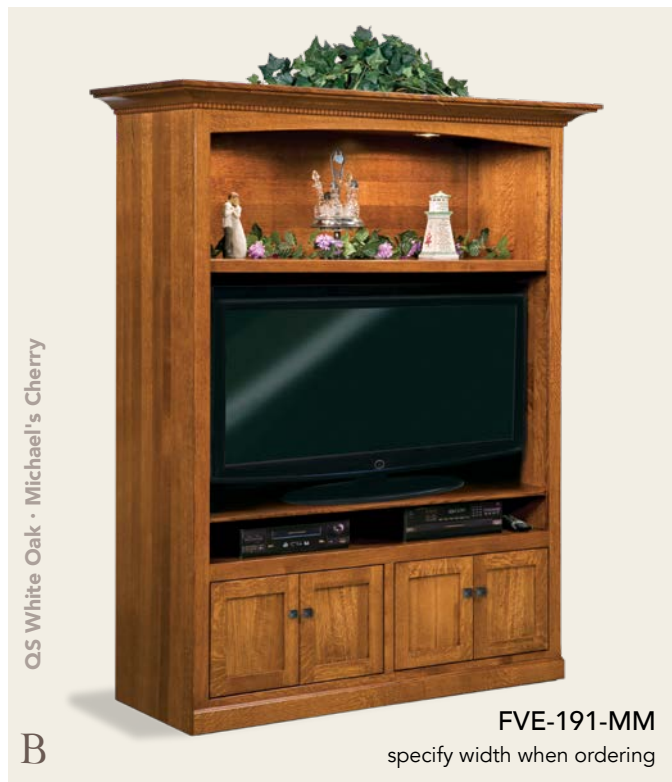


### Optional Features

A	B	
•	•	Make center unit 2 pieces
•	•	Remove 4" depth on complete wall unit
•	•	Add bifold pocket doors to TV area (36½" TV area height, removes 7" from TV area width, open above TV area)

See complete options list on pg 110

See page 210 for dimensional details.





# MANHATTAN MISSION

## 6pc Wall Unit

### Standard Features

- Smoked glass in console door
- Soft close (concealed hinge) doors
- Leg levelers
- Console included, bolted to side cabinets
- 1 Adj. shelf behind each console door
- Adjustable shelf below bridge
- Full hanging back behind TV area
- LED touch lighting with 3 adj. glass shelves in each side cabinet
- For wider widths – glass door stays constant, wooden doors get wider
- Hardware = 1" Black square knob **R** (shown)

### Optional Features

- Corner side cabinets. **CSC-MM**
- Remove 4" depth on complete wall unit
- Heavy duty casters (console only)

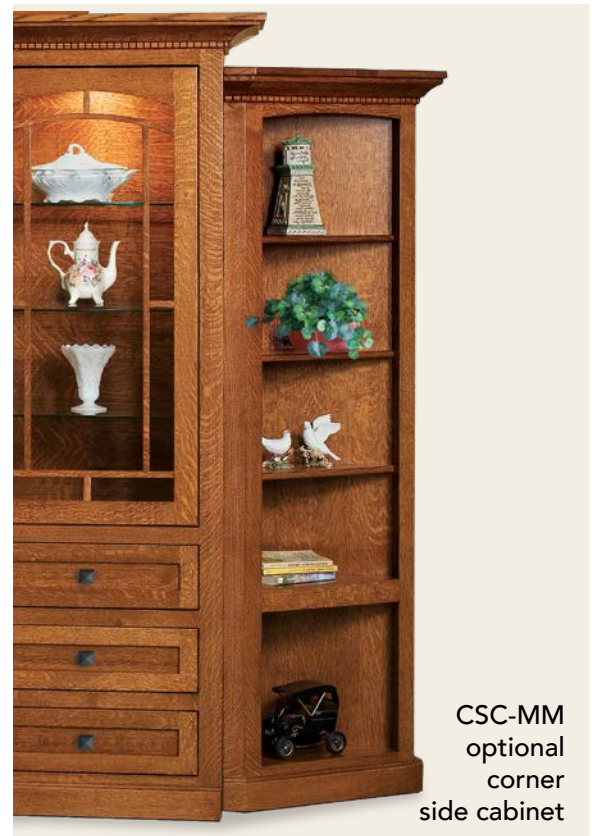
See complete options list on pg 110

See page 209 for dimensional details.

Center unit available in 5 TV widths,  
specify when ordering.

45½" W | 50½" W | 55½" W

60½" W | 68½" W



# Modesto

## 6pc Wall Unit

Center unit available in 5 TV widths,  
specify when ordering.

45½" W | 50½" W | 55½" W

60½" W | 68½" W



OS White Oak · Asbury Brown

FVE-049-MD  
includes console  
specify width when ordering

## Standard Features

- Smoked glass in console door
- Soft close (concealed hinge) doors
- Leg levelers
- Console included, bolted to side cabinets
- 1 Adj. shelf behind each console door
- Adjustable shelf below bridge
- Full hanging back behind TV area
- LED touch lighting with 3 adj. glass shelves in each side cabinet
- For wider widths – glass door stays constant, wooden doors get wider
- Hardware = Black drawer and door pull **L-1, L-2** (shown)

## Optional Features

- Heavy duty casters (console only)
- Remove 4" depth on complete wall unit
- Hardware = **M-1, M-2** (no up charge)



See complete options list on pg 110

See page 210 for dimensional details.

# Modesto

## 6pc Wall Unit

Center unit available in 5 TV widths,  
specify when ordering.

45½" W | 50½" W | 55½" W

60½" W | 68½" W



Rustic OS White Oak · Asbury Brown

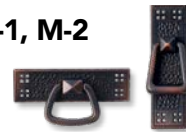
FVE-051-MD  
includes console  
specify width when ordering

### Standard Features

- Smoked glass in console door
- Soft close (concealed hinge) doors
- Leg levelers
- Console included, bolted to side cabinets
- 1 Adj. shelf behind each door
- Adjustable shelf below bridge
- Full hanging back behind TV area
- LED touch lighting with 3 adj. glass shelves in each side cabinet
- For wider widths – glass door stays constant, wooden doors get wider
- Hardware = Black drawer and door pull **L-1, L-2** (shown)

### Optional Features

- Heavy duty casters (console only)
- Hardware = **M-1, M-2**  
(no up charge)



See complete  
options list on pg 110

See page 211 for dimensional details.

# Old Classic Sleigh 6pc Wall Unit

Center unit available in 5 TV widths,  
specify when ordering.

45½" W | 50½" W | 55½" W

60½" W | 68½" W



Oak · Michael's Cherry

FVE-058-OCS  
includes console  
specify width when ordering

## Standard Features

- Smoked glass in console door
- Soft close (concealed hinge) doors
- Leg levelers
- Console included, bolted to side cabinets
- 1 Adj. shelf behind each door
- Adjustable shelf below bridge
- Full hanging back behind TV area
- LED touch lighting with 3 adj. glass shelves in each side cabinet
- For wider widths – glass door stays constant, wooden doors get wider
- Hardware = 1½", 1¾" Low profile round wood knob **C-1, C-2** (shown)

## Optional Features

- Heavy duty casters (console only)
- Remove 4" depth on complete wall unit

See complete options list on pg 110

See page 211 for dimensional details.

# TIMBRA

## 6pc Wall Unit

### Standard Features

- Self-positioning, soft close barn doors on top
- Soft close (concealed hinge) doors on base
- Leg levelers
- 3 pc. base is bolted together
- 1 Adj. shelf behind each door
- 2 Adj. shelves on each side, on top
- Hardware = Swedish Iron door pull **7-B** (shown)

### Optional Features

- Add adjustable shelf above TV area
- 1/4" Thick, full hanging back behind TV area
- 3/4" Thick back to hang TV on
- Omit barn doors on top
- Add touch lights with glass shelves in top, side cabinets

See complete options list on pg 110

See page 212 for dimensional details.



Sap Cherry · Vintage Antique

FVE-85110-TB  
6pc Wall Unit  
110<sup>3</sup>/<sub>4</sub>" W x 18<sup>3</sup>/<sub>4</sub>" D x 84<sup>3</sup>/<sub>4</sub>" H  
(TV area: 50<sup>1</sup>/<sub>2</sub>" W x 13<sup>1</sup>/<sub>4</sub>" D x 42<sup>3</sup>/<sub>4</sub>" H)



FVE-36110-TB · 3pc Base only  
110<sup>1</sup>/<sub>4</sub>" W x 18<sup>3</sup>/<sub>4</sub>" D x 36" H



Optional full hanging back

# TIMBRA

## 6pc Wall Unit



Rustic Hickory · Golden Pecan

FVE-85130-TB · 6pc Wall Unit  
130¾" W x 18¾" D x 84¾" H  
(TV area: 60½" W x 13¼" D x 42¾" H)



### Standard Features

- Self-positioning, soft close barn doors on top
- Soft close (concealed hinge) doors on base
- Leg levelers
- 3 pc. base is bolted together
- 1 Adj. shelf behind each door
- 2 Adj. shelves on each side, on top
- Hardware = Swedish Iron door pull **7-B** (shown)

### Optional Features

- Add adjustable shelf above TV area
- 1/4" Thick, full hanging back behind TV area
- 3/4" Thick back to hang TV on
- Omit barn doors on top
- Add touch lights with glass shelves in top, side cabinets

See complete options list on pg 110



Optional full hanging back

See page 212 for dimensional details.

# Victorian 3pc Wall Unit

Center unit available in  
4 TV widths, specify when ordering.

45½" W | 50½" W | 55½" W | 60½" W

## Standard Features

A	B
•	•
•	•
•	•
•	•
•	•
•	•
•	•
•	•
•	•

- Soft close (concealed hinge) doors
- Leg levelers
- Adjustable shelf with touch lighting above TV area
- 2 Hidden full-extension drawers behind bottom door on both side cabinets
- LED touch lighting with 6 adj. glass shelves
- Hardware = 1¼" Oil rubbed bronze knob **S-1** (shown)

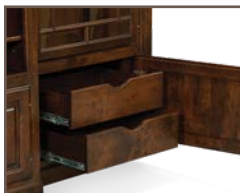


## Optional Features

A	B
•	•
•	•
•	•

- Make center unit 2 pieces
- Remove 4" depth on complete wall unit
- Add bifold pocket doors to TV area (36½" TV area height, removes 7" from TV area width, open above TV area)

See complete options list on pg 110



See page 210 for  
dimensional details.



# FORKS VALLEY WOODWORKING

*Better Because ...*

## STANDARDS



5/8" Thick dovetailed,  
full-extension functional drawers



Leg levelers on all legs  
for easy installation.



3/4" Raceway in back for easy wiring from shelf to shelf in  
all component areas. All shelves are fully adjustable.



Solid hardwood sides and tops





# Corner Media Consoles & Hutches

Specially made to maximize often wasted space in corners and enhance the features of the room in which it is placed, a Forks Valley corner stand, cabinet or hutch displays (or hides) your entertainment equipment in style.



CORNER MEDIA  
CONSOLES & HUTCHES

# Artesa Boulder Creek


## CENTENNIAL

### Media Corner Consoles

#### Standard Features

A	B	C	
•	•	•	Smoked glass
•			Smooth sliding track for all doors with simple mechanism for easy removal
•			2 Adjustable shelves behind each door
	•	•	Soft close (concealed hinge) doors with 1 adjustable shelf behind each door
	•		Hardware = 1" Black knob <b>U</b> (shown)
		•	Hardware = 1" Black square knob <b>R</b> (shown)

#### Optional Features

A	B	C	
•			Self-positioning, soft-closing sliding doors
	•	•	Blum, soft close undermount drawers
	•		Omit inlays (no up charge)
	•		Hardware = <b>O-1</b>  (no up charge)



See page 213 for dimensional details.

# Classic Mission Media Corner Consoles

## Standard Features

A	B	
•	•	Soft close (concealed hinge) doors
•	•	1 Adjustable shelf behind each door
•		Hardware = 1¼" Round wood knob <b>A-1</b> (shown)
	•	Hardware = 1¼" Square pyramid wood knob <b>B-1</b> (shown)

## Optional Features

A	B	
•	•	Swivel
•	•	Change wood doors to smoked glass (no up charge)
•	•	Available in XL (56" wide) <b>FVE-033-CXL</b> 56" W x 22" D x 29¼" H <b>FVE-033-MXL</b> 56" W x 22" D x 29¼" H
•		Cathedral arch top doors



Cathedral arch top door option

See page 213 for dimensional details.



Rustic Cherry · Michael's Cherry

A

FVE-053-A  
70 1/2" W x 22" D x 82 1/2" H · (50" wide TV area)



Rustic Cherry · Michael's Cherry

B

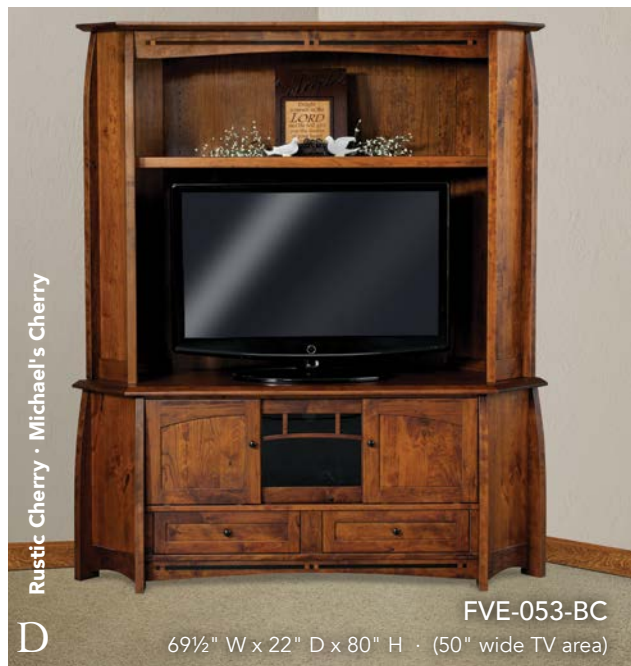
FVE-053-A-BP · 69 1/2" W x 22" D x 30 1/4" H



Rustic Cherry · Michael's Cherry

C

FVE-053-BC-BP · 69 1/2" W x 22" D x 29" H



Rustic Cherry · Michael's Cherry

D

FVE-053-BC  
69 1/2" W x 22" D x 80" H · (50" wide TV area)


# Artesa Boulder Creek

## 2pc Media Corner Consoles with Hutch

### Standard Features

A	B	C	D	
●	●	●	●	Smoked glass
●	●	●	●	1 Adj. shelf behind right wood door and glass door
●	●	●	●	All doors on smooth sliding track with simple mechanism for easy removal
●			●	2 Piece unit
●			●	1 Adj. shelf above TV area
●	●			Hardware = 1" Wrought Iron knob and drawer pull <b>P-1, P-2</b> (shown)
		●	●	Hardware = 1" Black knob <b>U</b> (shown)

### Optional Features

A	B	C	D	
●	●	●	●	Self-positioning, soft-closing sliding door
●	●	●	●	Blum, soft close undermount drawers
●			●	LED touch light above TV area
		●	●	Omit inlays (no up charge)
		●	●	Hardware = <b>O-1</b> (no up charge) 

See pages 213-214 for dimensional details.



# Modesto

## Old Classic Sleigh


### 2pc Media Corner Consoles with Hutch

#### Standard Features

A	B	C	D	
•	•	•	•	Smoked glass
•	•	•	•	1 Adj. shelf behind right wood door and glass door
•	•	•	•	All doors on smooth sliding track with simple mechanism for easy removal
•			•	2 Piece unit
•			•	1 Adj. shelf above TV area
•	•			Hardware = Black door and drawer pull <b>L-1, L-2</b> (shown)
		•	•	Hardware = 1⅛", 1¾" Low profile round wood knob <b>C-1, C-2</b> (shown)

#### Optional Features

A	B	C	D	
•	•	•	•	Self-positioning, soft-closing sliding door
•	•	•	•	Blum, soft close undermount drawers
•			•	LED touch light above TV area
		•	•	Hardware = <b>M-1, M-2</b> (no up charge)



See pages 213-214 for dimensional details.



# Bookcases & Stereo Cabinets

Like the printed volumes and decorative items they lovingly display, bookcases by Forks Valley beautifully reflect the taste of their owners. In addition, our stereo cabinets provide a stylish and durable way to protect valuable equipment.



Rustic Cherry · Michael's Cherry



A

FVB-011-A-6ft  
41 1/4" W x 17 1/4" D x 72" H

Rustic Cherry · Michael's Cherry



B

FVB-010-A  
41 1/4" W x 17 1/4" D x 80" H

# Artesa Bookcases

## Standard Features

A	B	C	
•	•	•	11 1/2" deep shelves
•			5 Adj. shelves
	•		Soft close (concealed hinge) doors
	•		Drilled for adj. shelves behind wood doors
	•		4 Adj. shelves, 1 with plate groove
	•		Self positioning, soft close sliding glass doors with leaded and antique glass
	•		8 Adj. shelves, 2 with plate groove
	•		Hardware = 1" Wrought iron knob <b>P-1</b> (shown)

Rustic Cherry · Michael's Cherry



C

FVB-5466-A  
54" W x 17 1/4" D x 66" H

## Optional Features

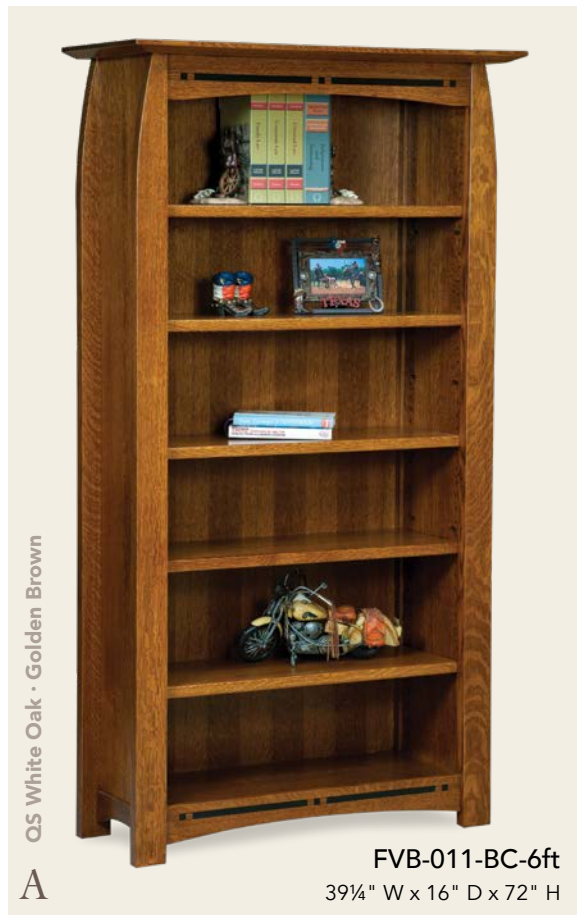
A	B	C	
		•	Clear glass
		•	No doors

### Also available:

FVB-011-A-5ft  
41 1/4" W x 17 1/4" D x 60" H  
4 shelves – one w/plate groove

FVB-011-A-4ft  
41 1/4" W x 17 1/4" D x 48" H  
3 shelves – one w/plate groove





A QS White Oak · Golden Brown

FVB-011-BC-6ft  
39¼" W x 16" D x 72" H



B Rustic Hickory · American Antique

FVB-010-BC  
39¼" W x 16" D x 80" H

# Boulder Creek Bookcases

## Standard Features

A	B	C	
•	•	•	11½" deep shelves
	•		Soft close (concealed hinge) doors
	•		Drilled for adj. shelves behind wood doors
•	•		4 Adj. shelves, 1 with plate groove
•			Hardware = 1" Black knob <b>U</b> (shown)

### Also available:

FVB-011-BC-4ft

39¼" W x 16" D x 48" H

3 shelves – one with plate groove



C Rustic Cherry · Michael's Cherry

FVB-011-BC-5ft  
39¼" W x 16" D x 60" H



A  
Oak · Nutmeg

FVB-010-BM  
39" W x 14¾" D x 80" H



B  
OS White Oak · Michael's Cherry

FVB-011-BM-5ft  
39" W x 14¾" D x 60¾" H

# Bridger Mission Bookcases

## Standard Features

A	B	C	
•	•	•	11½" deep shelves
•	•		4 Adj. shelves, 1 with plate groove
•			Soft close (concealed hinge) doors
•			Drilled for adj. shelves behind wood doors
•			Hardware = 1¼" Black Stickley Mission knob <b>X-1</b> (shown)



Optional Glass Doors



C  
OS White Oak · Michael's Cherry

FVB-011-BM-4ft  
39" W x 14¾" D x 48" H

## Optional Features

A	B	C	
•	•	•	Glass doors with mullion

### Also available:

FVB-011-BM-6ft  
39" W x 14¾" D x 72" H  
5 shelves – one with plate groove



Oak - Carbon

A

FVB-011-D-6ft  
37½" W x 15" D x 72" H



Rustic Hickory - Almond

B

FVB-010-D  
37½" W x 15" D x 80" H

# DOVER

## Bookcases

### Standard Features

A	B	C	
•	•	•	11½" deep shelves
	•		Soft close (concealed hinge) doors
	•		Drilled for adj. shelves behind wood doors
•	•		4 Adj. shelves, 1 with plate groove
•			Hardware = 1" Round Black knob <b>U</b> (shown)

### Optional Features

A	B	C	
•	•	•	Glass doors with mullion

### Also available:

FVB-011-D-4ft  
37½"W x 15"D x 48"H  
3 shelves – one with plate groove



Brown Maple - Manchester

C

FVB-011-D-5ft  
37½" W x 15" D x 60" H



A  
Brown Maple • Burnt Umber

FVB-011-EN-6ft  
42 1/4" W x 14 3/4" D x 72" H



B  
Sap Cherry • Asbury Brown

FVB-010-EN  
42 1/4" W x 14 3/4" D x 80" H

# Ensenada Bookcases

## Standard Features

A	B	C
•	•	•
	•	
	•	
	•	
	•	
	•	
	•	
	•	
	•	

- 11 1/2" deep shelves
- Soft close (concealed hinge) doors
- Drilled for adj. shelves behind wood doors
- 4 Adj. shelves, 1 with plate groove
- Self positioning, soft close sliding glass/wood doors with antique glass
- 8 Adj. shelves, 2 with plate groove
- Hardware = 1" Satin nickel knob **T-1** (shown)



C  
Sap Cherry • Asbury Brown

FVB-5466-EN • 54" W x 16" D x 66" H

## Optional Features

A	B	C
		•
		•

- Clear glass
- No doors

### Also available:

FVB-011-EN-5ft  
42 1/4" W x 14 3/4" D x 60" H  
4 shelves – one with plate groove

FVB-011-EN-4ft  
42 1/4" W x 14 3/4" D x 48" H  
3 shelves – one with plate groove

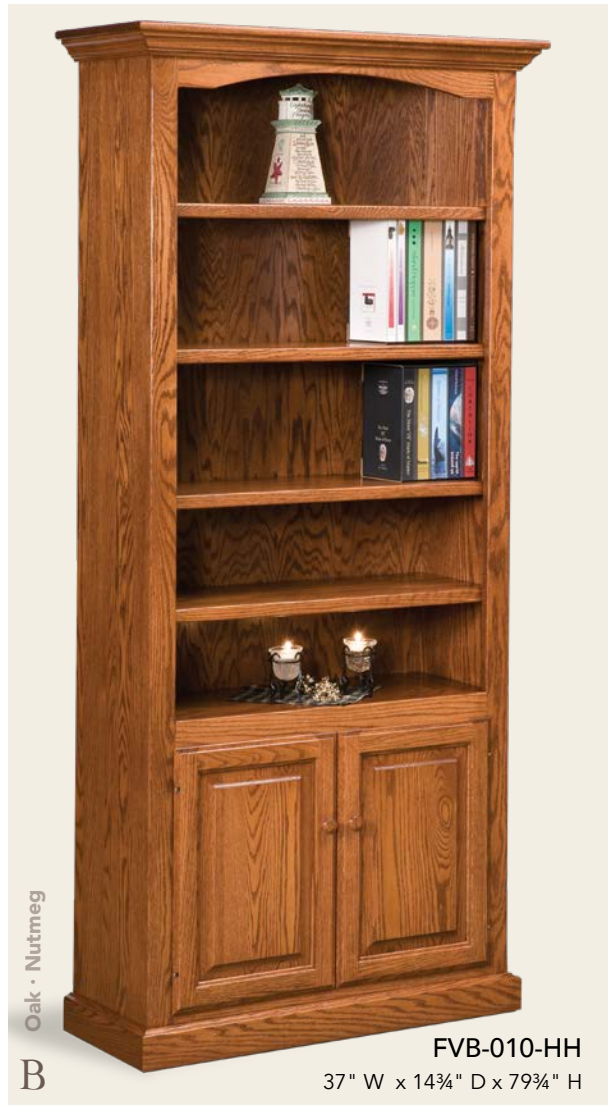


Oak · Nutmeg

A

FVB-011-HH-5ft

37" W x 14¾" D x 59¾" H



Oak · Nutmeg

B

FVB-010-HH

37" W x 14¾" D x 79¾" H

# Hoosier Heritage Bookcases

## Standard Features

A	B	C	
•	•	•	11½" deep shelves
			Soft close (concealed hinge) doors
			Drilled for adj. shelves behind wood doors
•	•		4 Adj. shelves, 1 with plate groove
			Hardware = 1¼" Round wood knob <b>A-1</b> (shown)

## Optional Features

A	B	C	
•	•	•	Glass doors with mullion

### Also available:

FVB-011-HH-6ft

37"W x 14¾"D x 71¾"H

5 shelves – one with plate groove



Oak · Nutmeg

C

FVB-011-HH-4ft

37" W x 14¾" D x 47¾" H



# HOUSTON

## Bookcases

### Standard Features

A	B	C	
•	•	•	11½" deep shelves
	•		Soft close (concealed hinge) doors
	•		Drilled for adj. shelves behind wood doors
•	•		4 Adj. shelves, 1 with plate groove
•			Hardware = Swedish Iron door pull <b>7-B</b> (shown)

### Optional Features

A	B	C	
•	•	•	Glass doors

### Also available:

FVB-011-HT-4ft  
35¼"W x 14⅞"D x 48⅞"H  
3 shelves – one with plate groove





Hickory · American Antique

A

FVB-011-MA-6ft

33"W x 12¾"D x 72"H



Oak · American Antique

B

FVB-010-MA

33"W x 12¾"D x 80"H

# Marina

## Bookcases

### Standard Features

A	B
•	•
•	•
•	•
•	•
•	•
•	•
•	•
•	•
•	•
•	•

### Optional Features

A	B
•	•

### Also available:

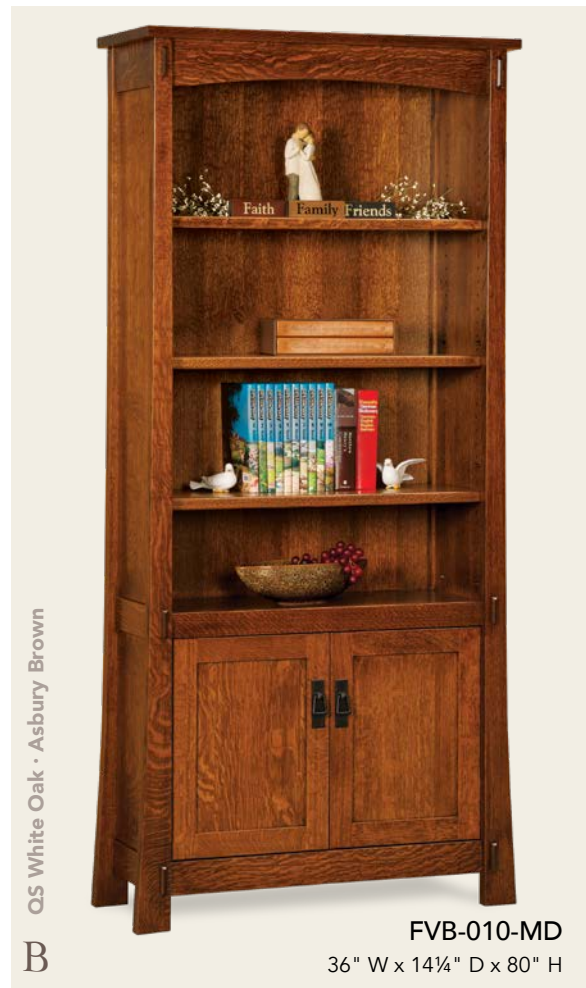
FVB-011-MA-5ft  
 33"W x 12¾"D x 60"H  
 4 shelves – one with plate groove





OS White Oak · Asbury Brown  
A

FVB-011-MD-6ft  
36" W x 14¼" D x 72" H



OS White Oak · Asbury Brown  
B

FVB-010-MD  
36" W x 14¼" D x 80" H

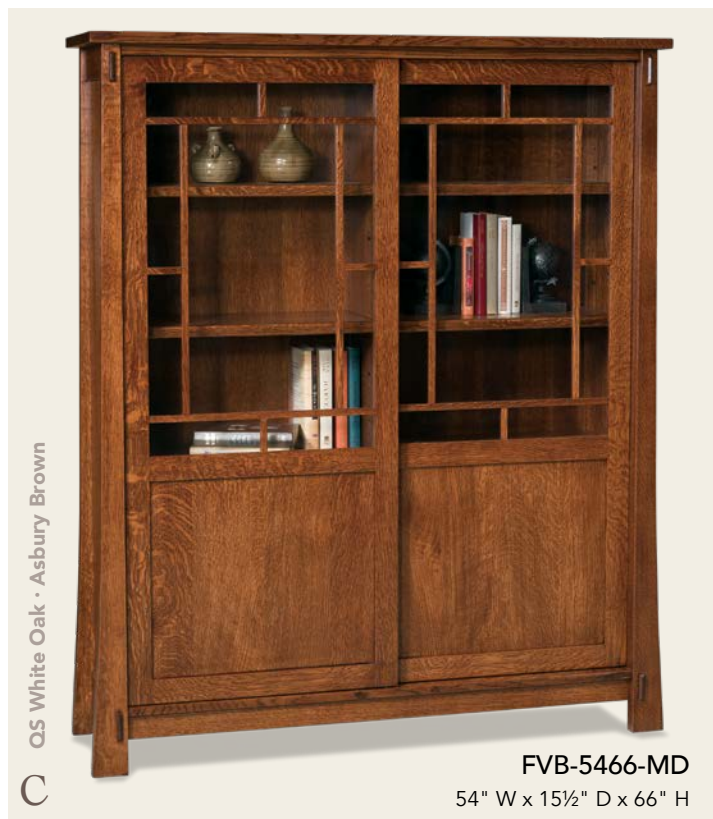
# Modesto Bookcases

## Standard Features

A	B	C	
•	•	•	11½" deep shelves
	•		Soft close (concealed hinge) doors
	•		Drilled for adj. shelves behind wood doors
	•		4 Adj. shelves, 1 with plate groove
	•		Self positioning, soft close sliding glass & wood doors with clear glass
	•		8 Adj. shelves, 2 with plate groove
	•		Hardware = Black door pull <b>L-1</b> (shown)

## Optional Features

A	B	C	
		•	No doors



OS White Oak · Asbury Brown  
C

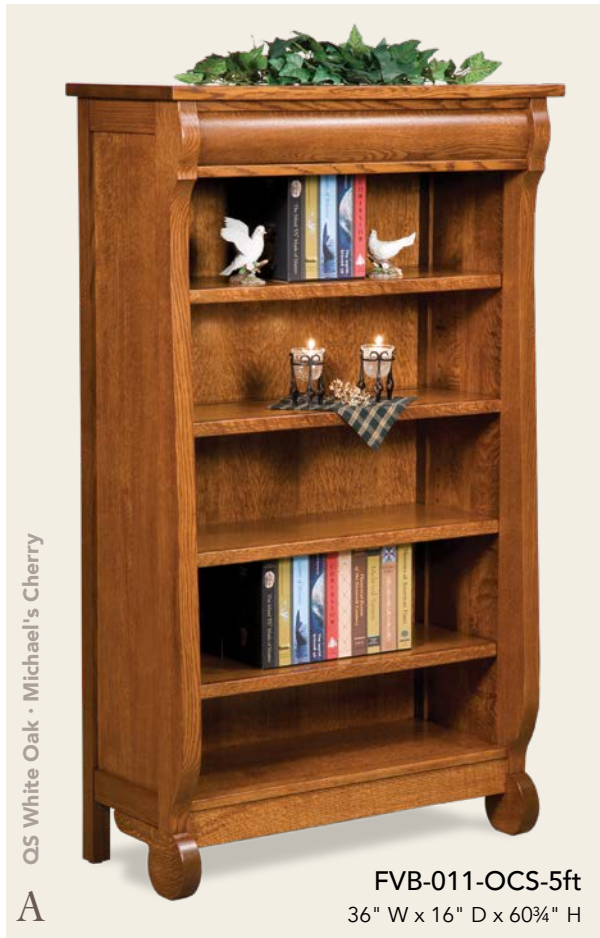
FVB-5466-MD  
54" W x 15½" D x 66" H

### Also available:

FVB-011-MD-5ft  
36" W x 14¼" D x 60" H  
4 shelves – one with plate groove

FVB-011-MD-4ft  
36" W x 14¼" D x 48" H  
3 shelves – one with plate groove





OS White Oak · Michael's Cherry

A

FVB-011-OCS-5ft  
36" W x 16" D x 60¾" H



Oak · Michael's Cherry

B

FVB-010-OCS  
36" W x 16" D x 78" H

# Old Classic Sleigh Bookcases

## Standard Features

A	B	C	
•	•	•	11½" deep shelves
•	•		4 Adj. shelves, 1 with plate groove
		•	Soft close (concealed hinge) doors
		•	Drilled for adj. shelves behind wood doors
		•	Hardware = 1¾" Low profile round wood knob <b>C-2</b> (shown)



Optional Glass Doors

## Optional Features

A	B	C	
•	•	•	Glass doors



OS White Oak · Asbury

C

FVB-011-OCS-6ft  
36" W x 16" D x 72" H



Arts & Crafts | Clear water glass enhanced with mission caramel and green accent pieces. **LGAC**



Tulip | Water glass enhanced with mission caramel and green tulip design & beveled glass. **LGTU**



Colbran | Antique glass enhanced with beveled glass, wispy amber, mission caramel and red accent pieces. **LGCB**

Rustic Cherry · Michael's Cherry

A



FVBR-4DR-A

40 $\frac{3}{8}$ " W x 15 $\frac{1}{4}$ " D x 67 $\frac{1}{4}$ " H

Rustic Cherry · Michael's Cherry

B



FVBR-4DR-BC

39 $\frac{1}{4}$ " W x 16" D x 63 $\frac{1}{2}$ " H

# Artesa Boulder Creek Colbran Barrister Bookcases

## Standard Features

A	B	C	
•	•	•	11 $\frac{1}{2}$ " D x 12 $\frac{1}{2}$ " H book area
•	•	•	4 doors, slide smoothly into cabinet on roller glides
•			Leaded glass <b>LGAC</b>
	•		Leaded glass <b>LGTU</b>
		•	Leaded glass <b>LGCB</b>
•			Hardware = 1" Wrought iron knob <b>P-1</b> (shown)
	•		Hardware = 1" Black knob <b>U</b> (shown)
		•	Hardware = 1" Black square knob <b>R</b> (shown)

OS White Oak · Golden Brown

C



FVBR-4DR-CB

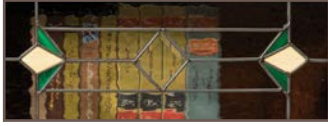
40" W x 15 $\frac{1}{2}$ " D x 64" H

## Optional Features

A	B	C	
•	•	•	Switch leaded glass pattern (no up charge)
•	•	•	Clear, beveled glass
•	•	•	5 door, 3 door, or 2 door (add or deduct 14 $\frac{1}{4}$ " H for each door)



Craftsman | Seedy glass enhanced with champagne and earth wine accent pieces. **LGCM**



Tulip | Water glass enhanced with mission caramel and green tulip design & beveled glass. **LGTU**



Modesto | Antique glass enhanced with mission caramel and red accent pieces. **LGMD**

A Rustic Cherry · Michael's Cherry



FVBR-4DR-CM  
40¼" W x 15" D x 64¼" H

B Oak · Mineral



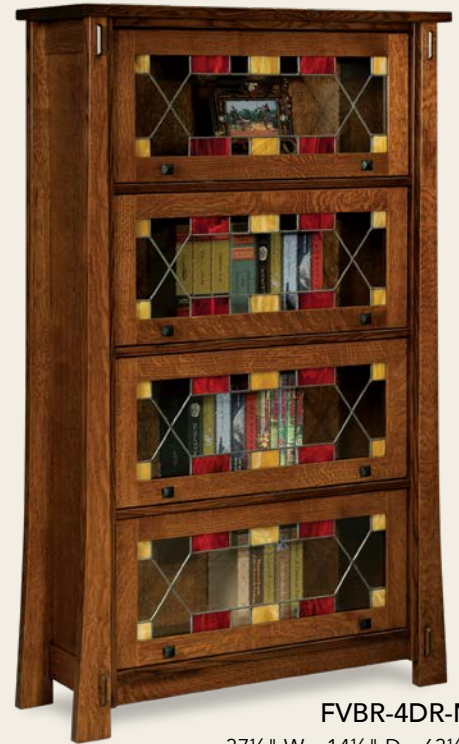
FVBR-4DR-LA  
40¾" W x 17¼" D x 64" H

# Craftsman LEXINGTON ARC Modesto Barrister Bookcases

## Standard Features

A	B	C	
•	•	•	11½" D x 12½" H book area
•	•	•	4 doors, slide smoothly into cabinet on roller glides
•			Leaded glass <b>LGCM</b>
	•		Leaded glass <b>LGTU</b>
		•	Leaded glass <b>LGMD</b>
•			Hardware = 1¼" Black square Stickley Mission knob <b>X-1</b> (shown)
	•		Hardware = 1" Satin Nickel knob <b>T-1</b> (shown)
		•	Hardware = 1" Black square knob <b>R</b> (shown)

C QS White Oak · Asbury Brown



FVBR-4DR-MD  
37½" W x 14½" D x 63½" H

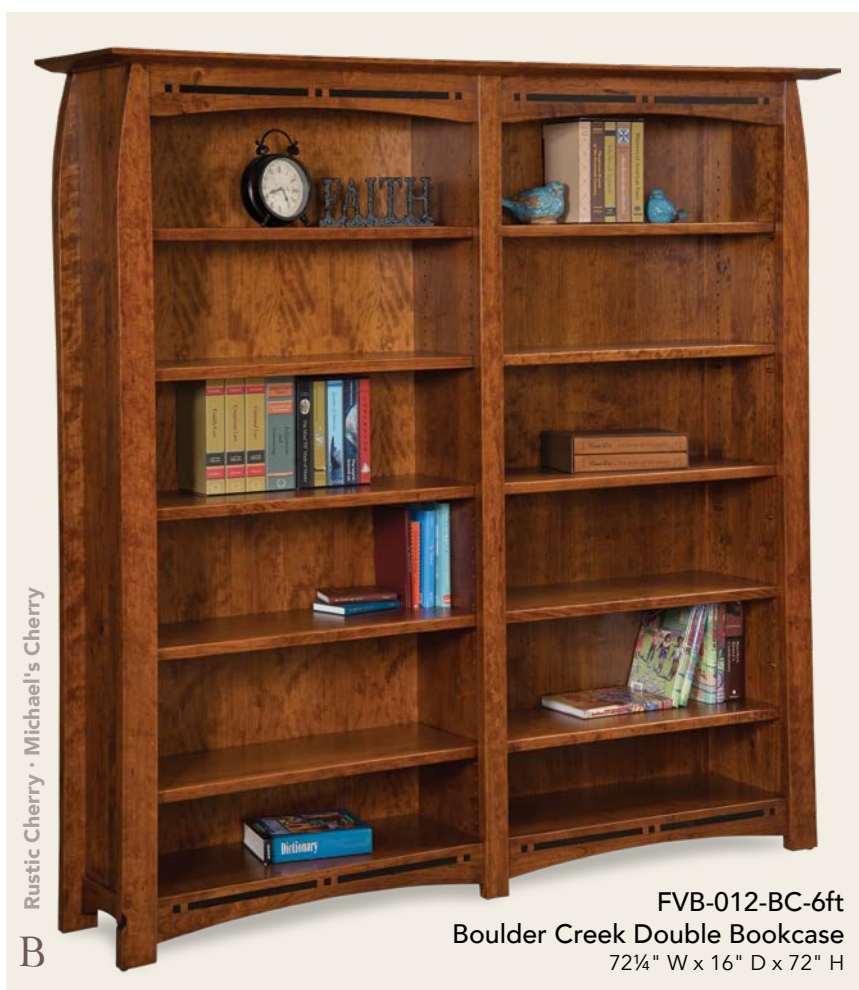
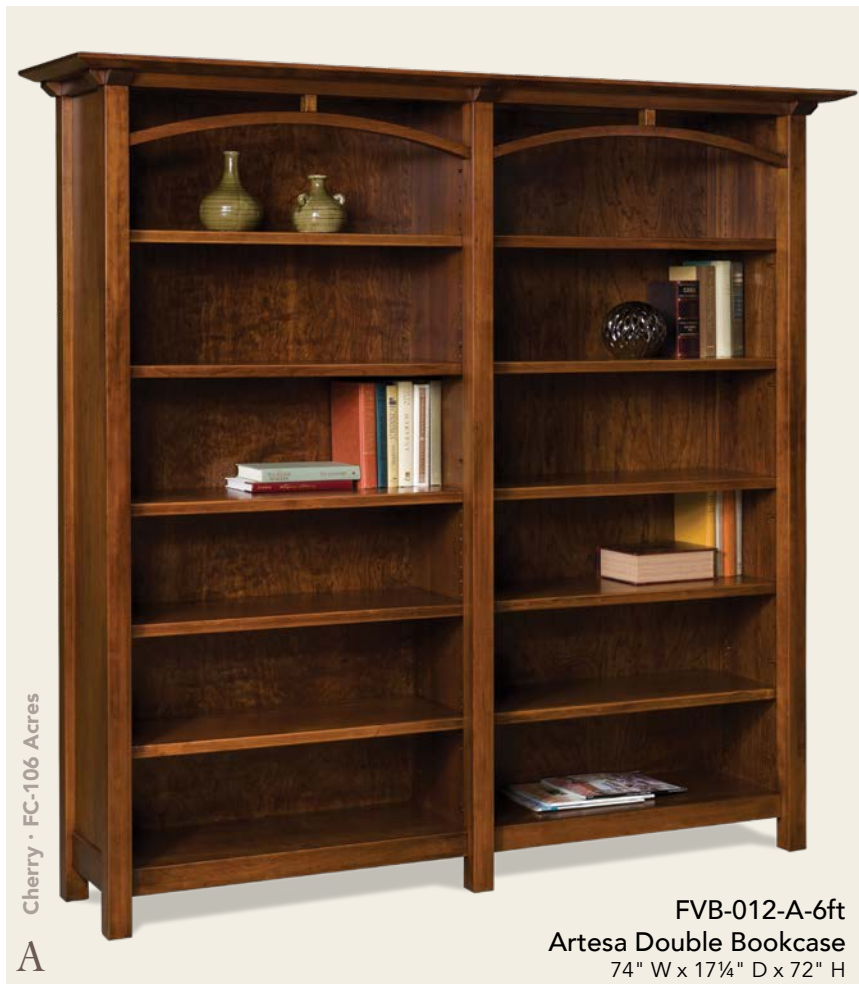
## Optional Features

A	B	C	
•	•	•	Switch leaded glass pattern (no up charge)
•	•	•	Clear, beveled glass
•	•	•	5 door, 3 door, or 2 door (add or deduct 14¼" H for each door)

# Artesa Boulder Creek Double Bookcases

## Standard Features

A	B	
•	•	1 Piece unit
•	•	10 Adjustable shelves, 2 with plate groove
•	•	Shelves are 11½" deep



# Bridger Mission

## *Ensenada*

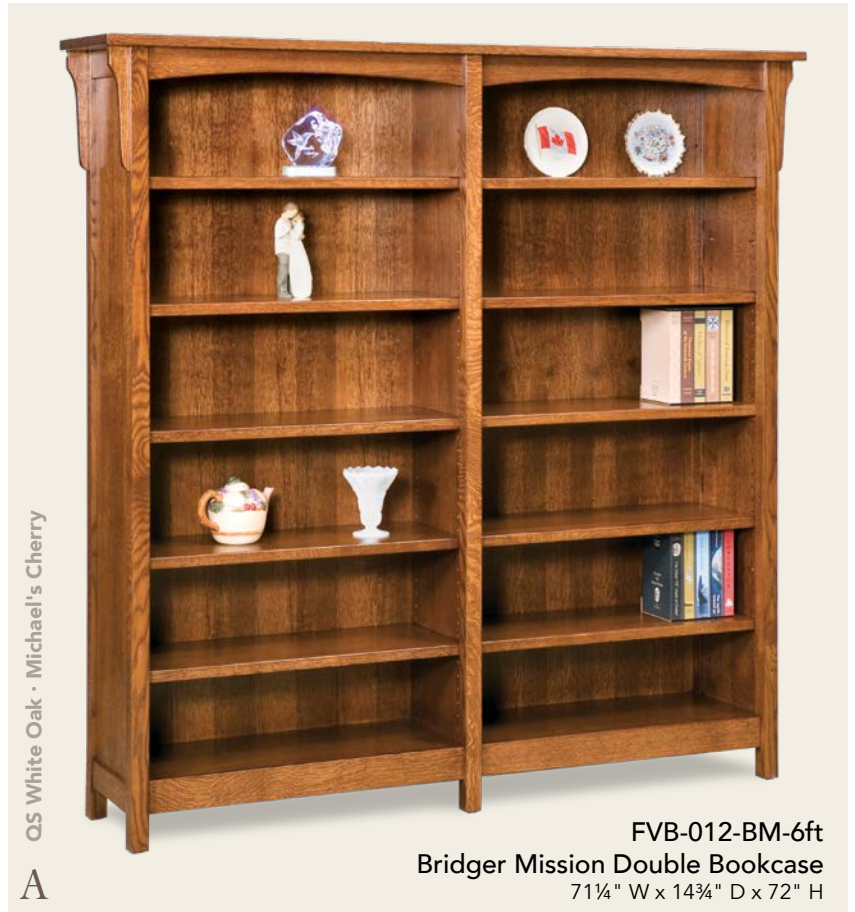
### Double Bookcases

#### Standard Features

A	B	
•	•	1 Piece unit
•	•	10 Adjustable shelves, 2 with plate groove
•	•	Shelves are 11½" deep

#### Optional Features

A	B	
•		Glass doors with mullion



A  
QS White Oak · Michael's Cherry

FVB-012-BM-6ft  
Bridger Mission Double Bookcase  
71¼" W x 14¾" D x 72" H



B  
Hickory · Almond

FVB-012-EN-6ft  
Ensenada double bookcase  
74⅞" W x 14¾" D x 72" H



Optional Glass Doors

# Hoosier Heritage

# Modesto

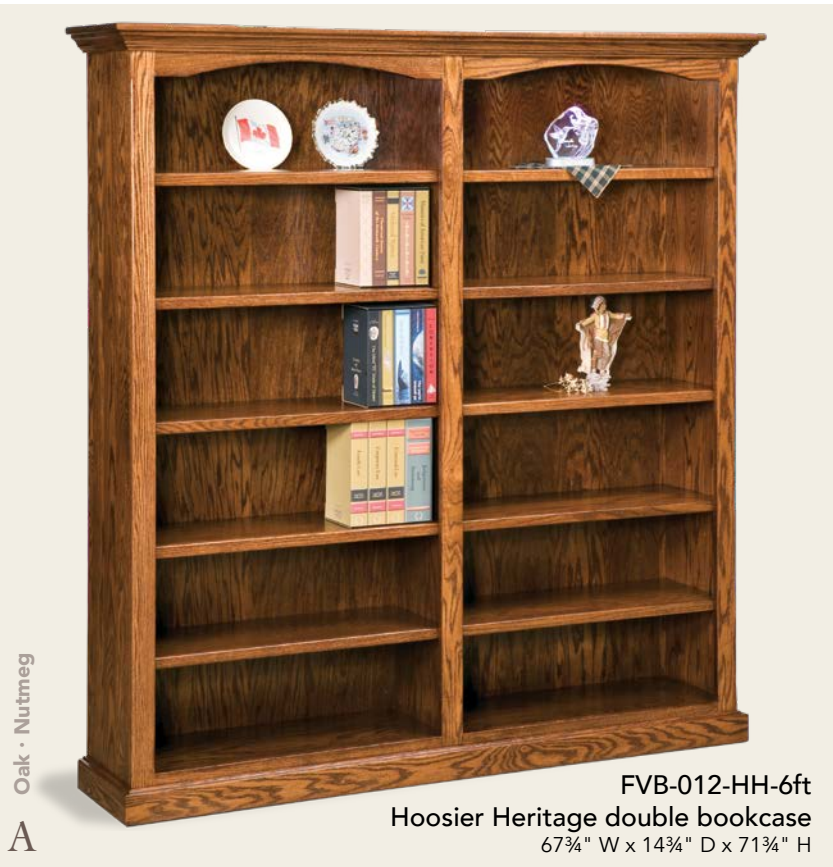
## Double Bookcases

### Standard Features

A	B	
•	•	1 Piece unit
•	•	10 Adjustable shelves, 2 with plate groove
•	•	Shelves are 11½" deep

### Optional Features

A	B	
•	•	Glass doors with mullion



Oak • Nutmeg  
A

**FVB-012-HH-6ft**  
Hoosier Heritage double bookcase  
67¾" W x 14¾" D x 71¾" H



OS White Oak • Asbury Brown  
B

**FVB-012-MD-6ft**  
Modesto double book case  
68½" W x 14¾" D x 72" H



Optional Glass Doors

# Classic Mission

## Old Classic Sleigh

### Stereo Cabinets

#### Standard Features

A	B	C	D	
•	•	•	•	Soft close (concealed hinge) doors
•	•	•	•	Smoked glass
•				5 Adjustable shelves
	•	•		4 Adjustable shelves
			•	3 Adjustable shelves
•				Hardware = 1¾" Low profile round wood knob <b>C-2</b> (shown)
	•	•		Hardware = 1¼" Square pyramid wood knob <b>B-1</b> (shown)
		•		Hardware = 1¼" round wood knob <b>A-1</b> (shown)



See page 215 for dimensional details.

# FORKS VALLEY WOODWORKING

## *Better Because ...*



### STANDARDS



Dimmable LED strip lighting in work area and open shelf area is standard on most desk hutch tops



1" Thick solid wood pullout work space  
14" W x 17" D (one each side)



7872L & 7878L desk tops have mitered corners with tenon fitted joints and latches to lock together



All wood file rails built into file drawer boxes, except FVL-2144s



**FVL-2144** Drawers come with 2 sets of black aluminum file rails with slots for standard or legal files



Leg Levelers on all legs for easy installation



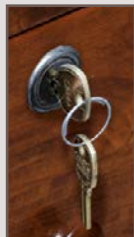
5/8" Thick dovetailed, full extension functional drawers

### OPTIONS

*\*specify location when ordering*



**TV 2802**  
Pop-up power station; 2 outlets, 1 USB, 1 micro USB\*



**LK** Add lock to any drawer, single or gang locks



**WG** 2" Wooden grommets in any desk top\*



**Dock 950** Wireless phone charger (Qi compliant)\*



**5" WKH** Add 5" to kneehole width, this adds 5" to overall desk width (standard kneehole is 24 1/2" W x 25" H)



**Dock-5-BK** Add power supply (5 outlets) mounted on a wooden platform, on the back panel, 12" underneath the top\*



**631.20.310**  
Spiral cable guide for any writer's desk



**TVSP3802-F** Add surface-mounted power station to any desk, 3 outlets, 1 USB, 1 micro USB\*



**OTPD** Organizer tray in pencil drawer



**KBPD** Keyboard pullout drawer on any desk with black non/slip mat 21" W x 13" D x 2 1/2" H



**Dock-702-BK**  
Pop-up power supply; 2 outlets, 1 USB, 1 Micro USB\*



# Home Office & Business Furnishings

Unmatched comfort, maximum functionality, heirloom-quality construction, natural hardwood grains enriched by a choice of fine finishes and artisan styling true to the Mission, Arts & Crafts or Modern designs perfected by traditional woodworkers...this is office furniture the Forks Valley way ... your way.

## OPTIONS

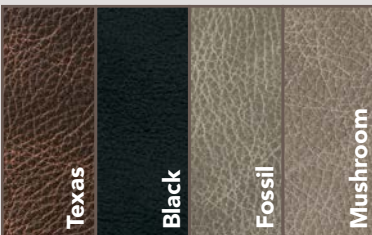


Electric lift mechanism (made in USA) for desktop. Top lifts from 31" H to 49" H. 200lb. weight capacity. Adds 6" to width (in kneehole area) and keyboard pullout tray. Available on FVD-2849, FVD-2865, FVD-3365, or FVD-3367 desks; add code **S/S** after standard product code.



**LIT(color)** 1¼" thick top with genuine leather inserts (shown with Mushroom leather) on any FVD-2849, FVD-2865, FVD-3365, FVD-3367, or FVD-3371 desks

4 colors to choose from (please specify when ordering)



**USBPD** Double USB port charging station with black non/slip mat inside pencil drawer on any desk



Blum soft close undermount slides on drawers



Black (**BLK-LWP**) or Brown (**BRWN-LWP**) leather writing pad 15" x 23"

**POSD** Add push-to-open, secret drawer with black felt bottom (12"W x 14¾"D x 2"H), on any desk, along top of drawer bank instead of writing pullout.



1¼" thick Live Edge top on any office piece; add code **LET** after standard product code.

# Artesa

## OFFICE COLLECTION

Looking at the Artesa office, you might think it is simply striking...and it is...but it is so much more. Writing pullouts, deep file drawers, an optional keyboard drawer and thoughtfully planned storage space all work together to add organization and efficiency to your personal work environment.

DESKS, HUTCHES  
& FILE CABINETS



# Artesa Hutch & Desks

## Standard Features

A	B	C	D	E	
•	•	•	•	•	Solid, 4-sided tapered legs
•	•	•	•	•	Kneehole 24½" W, with pencil drawer
•	•	•	•		1 File drawer, each side
•	•	•	•		Pullout above drawers, each side
•	•		•		Unfinished back
		•		•	Finished back
•					Soft close (concealed hinge) doors
•					Dimmable LED touch lighting
•					2 Adj. shelves behind right door, 1 behind left door
•					Adjustable glass shelf in center
•	•	•	•	•	Hardware = Wrought Iron knob and drawer pull <b>P-1</b> , <b>P-2</b> (shown)

## Optional Features

A	B	C	D	E	
•	•	•	•		Split top drawer into 2 smaller drawers
			•		Finished back

See complete options list on pgs 150-151



Rustic Cherry · Michael's Cherry

**A** FVD-2865-HT-A  
2pc hutch & desk base  
65" W x 28¼" D x 81" H

**B** FVD-2865-A  
desk base  
65" W x 28¼" D x 31" H



Rustic Cherry · Michael's Cherry

**C** FVD-3365-A  
curved top desk base  
65" W x 33" D x 31" H

Finished back side



Rustic Cherry · Michael's Cherry

**D**

FVD-2849-A  
49½" W x 28¼" D x 31" H



Rustic Cherry · Michael's Cherry

**E**

FVD-2654-A · Writer's desk  
54" W x 26" D x 31" H

See page 216 for dimensional details.



Rustic Cherry · Michael's Cherry

FVD-3371-A-S/S  
sit-to-stand curved top desk  
71" W x 33" D x 31" - 49" H

# Artesa Desk

## Standard Features

- Kneehole 30½" W, with keyboard pull-out drawer
- Solid, 4-sided tapered legs
- Finished back side
- 1 File drawer, each side
- Height switch with 3 programmable settings for lift mechanism
- Electric lift mechanism (made in the USA) for desk top – top lifts from 31" H - 49" H; 200lb. weight capacity on lift
- Hardware = Wrought Iron drawer pull **P-2** (shown)



Finished back side



1¼" thick top  
with genuine  
leather inserts

# Artesa Hutch & L Desks

## Standard Features

A	B	C	
•	•	•	Top has mitered corners
•	•	•	Solid, 4-sided tapered legs
•	•	•	Keyboard pull-out drawer on left; pencil drawer on right
•	•	•	Pullout above drawers, each side
•	•	•	1 File drawer, each side
•	•	•	Kneehole 30½" W, each side
•	•	•	Unfinished back (left side), finished back (right side)
•	•	•	Finished back
•	•	•	Grommet in top (hutch side)
•	•	•	Soft close (concealed hinge) doors
•	•	•	Dimmable LED touch lighting (warm white) in work area and open shelf area
•	•	•	1 Adj. shelf behind small doors, 2 behind large door on right
•	•	•	Adjustable glass shelf in center
•	•	•	Work area = 47¼" W x 13" D x 22" H
•	•	•	Hardware = 1" Wrought Iron knob and drawer pull <b>P-1</b> , <b>P-2</b> (shown)

## Optional Features

A	B	C	
•	•	•	Reverse sides (no up charge)
•	•	•	Split top drawer into 2 smaller drawers
•	•	•	Finished back side on left side of desk
•	•	•	Unfinished back

See complete options list on pgs 150-151

See page 217 for dimensional details.



A  
Rustic Cherry ·  
Michael's Cherry

FVD-7878L-HT-A · 3pc desk base & hutch  
desk: 78" W (left & right side) x 30" D x 31" H  
hutch: 73½" W x 18½" D x 50" H



B  
Rustic Cherry ·  
Michael's Cherry

FVD-7878L-A · 2pc L desk  
78" W (left & right side) x 30" D x 31" H



C  
Rustic Cherry ·  
Michael's Cherry

FVD-7872L-A  
2pc L desk  
78" W (left side) |  
72" W (right side)  
x 30" D x 31" H



Finished back side

Rustic Cherry · Michael's Cherry  
A



FVBB-2590-HT-A · 4pc hutch & base  
90" W x 24¾" D x 84" H

Rustic Cherry · Michael's Cherry  
B



FVF-2DWR-A  
24¼" W x 28¼" D x 31" H

Rustic Cherry · Michael's Cherry  
C



FVF-2DWR-A-F  
24¼" W x 30" D x 31" H

# Artesa

## 4pc Backbar, Base & File Cabinets

### Standard Features

A	B	C	D	
•	•	•	•	Solid, 4-sided tapered legs
•	•		•	Unfinished back
		•		Finished back
•				2 Adj. shelves in each section of hutch
•			•	1 Adj. shelf behind each door
•			•	Soft close (concealed hinge) doors
•				Hutch is 3 pcs, bolted together
		•		2 Std. file drawers
•			•	Hardware = 1" Wrought Iron knob <b>P-1</b> (shown)
	•			Hardware = Wrought Iron drawer pull <b>P-2</b> (shown)

Rustic Cherry ·  
Michael's Cherry  
D



FVBB-2590-A · 1pc base  
90" W x 24¾" D x 31" H

### Also available:

FVF-3DWR-A  
3 Drawer File Cabinet, 46" H

FVF-3DWR-A-F  
3 Drawer File Cabinet  
with Finished Back, 46" H

See complete options list on pgs 150-151  
See page 220 for dimensional details.



# Artesa

## 2pc Lateral File Cabinet with Hutch & Lateral File Credenza

### Standard Features

A	B	C	
•	•	•	2 Lateral file drawers
•	•		2 Sets of hanging file rails per drawer
•			2 Piece unit
•			2 Adj. shelves in hutch area, 11½" deep
		•	Soft close (concealed hinge) doors
		•	1 Adj. shelf behind doors
•	•	•	Hardware = Wrought Iron knob and drawer pull <b>P-1</b> , <b>P-2</b> (shown)

### Optional Features

A	B	C	
•	•		Blum, soft close undermount drawers

See complete options list on pgs 150-151



**FVL-2144** Drawers come with 2 sets of black aluminum file rails with slots for standard or legal files

# Boulder Creek

## OFFICE COLLECTION

Gently curved legs, inlays, and arched skirts distinguish the Boulder Creek collection. This contemporary look adds a touch of warmth and classic style to any office. Hand made by skilled Amish craftsmen, Boulder Creek furniture is available in a choice of sustainably harvested hardwoods.






# Boulder Creek Desks

## Standard Features

A	B	C	
•	•	•	Kneehole 24½" W, with pencil drawer
•	•	•	Black wood inlays
	•	•	Curved, reversed panel sides
•			Finished back side
	•	•	Unfinished back
	•	•	Pullout above drawers, each side
	•	•	1 File drawer, each side
	•		4" deep drawers with drawer stop (prevents drawers from falling out)
	•		Top slots = 4½" W x 9¾" D x 5" H; Side slots = 11½" W x 9¾" D x 4¼" H; all dividers removable
•	•	•	Hardware = 1" Black knob <b>U</b> (shown)

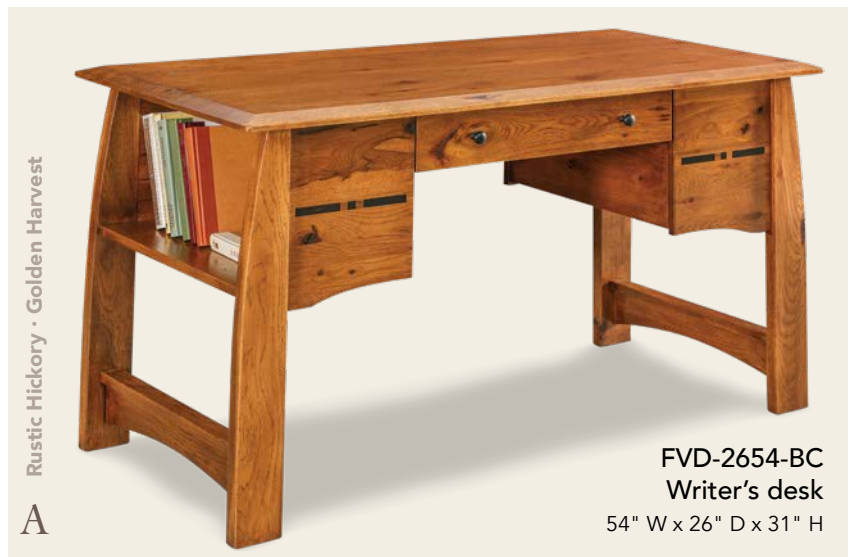
## Optional Features

A	B	C	
•	•	•	Hardware = <b>O-1</b>  (no up charge)
•	•	•	Finished back
•	•	•	Omit inlays (no up charge)

See complete options list on pgs 150-151



**FVD-2865-DT-BC** removable dividers detail



Rustic Hickory · Golden Harvest  
**A**

**FVD-2654-BC**  
Writer's desk  
54" W x 26" D x 31" H



OS White Oak · Golden Brown  
**B**

**FVD-2865-DT-BC**  
Desk: 65" W x 27½" D x 31" H · Topper: 55" W x 12" D x 17" H



OS White Oak · Golden Brown  
**C**

**FVD-2849-BC**  
49" W x 27½" D x 31" H



Rustic Hickory · Golden Harvest

FVD-3371-BC-S/S  
sit-to-stand curved top desk  
71" W x 33" D x 31" - 49" H



Finished back side




# Boulder Creek Desk

## Standard Features

- Kneehole 30½" W, with keyboard pull-out drawer
- Black wood inlays
- Curved, reversed panel sides
- Finished back side
- 1 File drawer, each side
- Height switch with 3 programmable settings for lift mechanism
- Electric lift mechanism (made in the USA) for desk top – top lifts from 31" H - 49" H; 200lb. weight capacity on lift
- Hardware = 1" Black knob **U** (shown)

## Optional Features

- Hardware = **O-1** (no up charge) 
- Omit inlays (no up charge)

See complete options list on pgs 150-151

# Boulder Creek Hutch & Desks

## Standard Features

A	B	C	
•	•	•	Black wood inlays
•	•	•	Curved, solid reversed-panel sides
•	•	•	Kneehole 24½" W, with pencil drawer
•	•	•	1 File drawer, each side
•	•	•	Pullout above drawers, each side
•	•		Unfinished back
		•	Finished back
•			Soft close (concealed hinge) doors
•			Dimmable LED touch lighting
•			2 Adj. shelves behind each door
•			Adjustable glass shelf in center
•	•	•	Hardware = 1" Black knob <b>U</b> (shown)



QS White Oak • Golden Brown

**A** FVD-2865-HT-BC  
2pc hutch & desk base  
65" W x 27½" D x 79¾" H

**B** FVD-2865-BC  
desk base  
65" W x 27½" D x 31" H

## Optional Features

A	B	C	
•	•	•	Hardware = <b>O-1</b> (no up charge)
•	•	•	Omit inlays (no up charge)

See complete options list on pgs 150-151



Rustic Hickory • Golden Harvest

**C**

FVD-3365-BC  
curved top desk base  
Finished back side  
65" W x 33" D x 31" H

See page 216 for dimensional details.



Oak - Vintage Antique

A

FVD-6660L-BC

66" W (left side) | 60" W (right side)  
26" D (left side) | 20" D (right side) x 31" H

Finished back side



Rustic Hickory - FC-809 Golden Harvest

B

FVD-7872L-BC

78" W (left side) | 72" W (right side)  
30" D x 31" H


Finished back side

# Boulder Creek L Desks

## Standard Features

A	B	
•	•	Black wood inlays
•	•	Curved, reversed panel sides
•	•	Keyboard pull-out drawer on left; pencil drawer on right
•	•	Finished back
•	•	File drawer on left side
•	•	Top has mitered corners
•	•	Pullout above drawers, each side
•	•	1 File drawer, each side
•	•	Hardware = 1" Black knob <b>U</b> (shown)

## Optional Features

A	B	
•	•	Omit inlays (no up charge)
•	•	Reversed sides (no up charge)
•	•	Unfinished back
•	•	Hardware = <b>O-1</b>  (no up charge)

See complete options list on pgs 150-151

See pages 215 and 217 for dimensional details.

Rustic Cherry - Vintage - Antique



FVD-7882L-BC-S/S  
2 pc sit-to-stand L desk  
78" W (left side)  
82" W (right side)  
30" D x 31" - 49" H


# Boulder Creek L Desk



## Standard Features

- Black wood inlays
- Curved, reversed panel sides
- Kneehole 30½" W on left side, 34½" W on right side
- Keyboard pull-out drawer on right; pencil drawer on left
- Finished back on right, unfinished back on left
- Grommet in top, on right side
- 1 File drawer, each side
- Pullout above drawers on left side
- Height switch with 3 programmable settings for lift mechanism
- Electric lift mechanism (made in the USA) for desk top – top lifts from 31" H - 49" H; 200lb. weight capacity on lift
- Hardware = 1" Black knob **U** (shown)

## Optional Features

- Omit inlays (no up charge)
- Reversed sides (no up charge)
- Finished back on left side
- Hardware = **O-1**  (no up charge)

See complete options list on pgs 150-151



See page 215 for dimensional details.


# Boulder Creek Hutch & L Desk

## Standard Features

A	B	
•	•	Black wood inlays
•	•	Curved, reversed panel sides
•	•	Kneehole 30½" W, each side
•	•	Keyboard pull-out drawer on left; pencil drawer on right
•	•	Pullout above drawers, each side
•	•	1 File drawer, each side
•	•	Unfinished back (left side), finished back (right side)
•	•	Grommet in top (hutch side)
•	•	Soft close (concealed hinge) doors
•	•	Dimmable LED touch lighting (warm white) in work area and open shelf area
•	•	1 Adj. shelf behind small doors, 2 behind large door on right
•	•	Adjustable glass shelf in center
•	•	Work area = 47¼" W x 13" D x 22" H
•	•	Hardware = 1" Black round knob <b>U</b> (shown)



## Optional Features

A	B	
•	•	Omit inlays (no up charge)
•	•	Reverse sides (no up charge)
•	•	Finished back side on left side of desk
•	•	Hardware = <b>O-1</b>  (no up charge)

See complete options list on pgs 150-151

See page 217 for dimensional details.



A OS White Oak · Golden Brown



FVBB-2590-HT-BC · 4pc hutch & base  
90" W x 25" D x 84" H

B OS White Oak · Golden Brown



FVF-2DWR-BC  
23" W x 28" D x 31" H

C OS White Oak · Golden Brown



FVF-2DWR-BC-F  
23" W x 30" D x 31" H

D OS White Oak · Golden Brown



FVBB-2590-BC · 1pc base  
90" W x 25" D x 31" H


# Boulder Creek

## 4pc Backbar & File Cabinets

### Standard Features

A	B	C	D	
●	●	●	●	Black wood inlays and curved, solid reversed panel sides
		●		2 Std. file drawers
●	●		●	Unfinished back
		●		Finished back
●	●			1 Adj. shelf behind each door
●	●			Soft close (concealed hinge) doors
●				Hutch is 3 pcs, bolted together
●				2 Adj. shelves in each section of hutch
●	●	●	●	Hardware = 1" Black knob <b>U</b> (shown)

### Optional Features

A	B	C	D	
●	●	●	●	Omit inlays (no up charge)
●	●	●	●	Hardware = <b>O-1</b>  (no up charge)

See complete options list on pgs 150-151

### Also available:

FVF-3DWR-BC  
3 Drawer File Cabinet, 43¾" H

FVF-3DWR-BC-F  
3 Drawer File Cabinet  
with Finished Back, 43¾" H

See page 220 for dimensional details.



Sap Cherry · Michael's Cherry

A

FVL-2144-HT-BC  
45½" W x 19¾" D x 79¾" H



Rustic Cherry · Michael's Cherry

B

FVL-2144-BC  
45½" W x 19¾" D x 31" H



OS White Oak · Golden Brown

C

FVLC-063-BC  
63" W x 19¾" D x 31" H


# Boulder Creek

## 2pc Lateral File Cabinet with Hutch & Lateral File Credenza

### Standard Features

A	B	C	
•	•	•	2 Lateral file drawers
•	•	•	Black wood inlays
•	•		2 Sets of hanging file rails per drawer
•			2 Piece unit
•			2 Adj. shelves in hutch area, 11½" deep
		•	Soft close (concealed hinge) doors
		•	1 Adj. shelf behind doors
•	•	•	Hardware = 1" Black knob <b>U</b> (shown)

### Optional Features

A	B	C	
•	•	•	Omit inlays (no up charge)
•	•		Blum, soft close undermount drawers
•	•	•	Hardware = <b>O-1</b>  (no up charge)

See complete options list on pgs 150-151



**FVL-2144** Drawers come with 2 sets of black aluminum file rails with slots for standard or legal files





# CENTENNIAL Hutch & L Desk

## Standard Features

A B

- • Kneehole 28½" W, each side
- • Keyboard pull-out drawer on left; pencil drawer on right
- • Pullout above drawers, each side
- • 1 File drawer, each side
- • Unfinished back (left side), finished back (right side)
- • Grommet in top (hutch side)
- • Soft close (concealed hinge) doors
- • Dimmable LED touch lighting (warm white) in work area
- • 1 Adj. shelf behind small doors,
- • Work area = 62½" W x 12¼" D x 18" H
- • Hardware = 1" Black square knob **R** (shown)



Oak · Vintage Antique

A

**FVD-7272L-HT-CN**  
3pc desk base & hutch  
desk: 72" W (left & right side) x 26" D x 31" H  
hutch: 68" W x 14" D x 41" H

## Optional Features

A B

- • Reverse sides (no up charge)
- • Finished back side on left side of desk

See complete options list  
on pgs 150-151



Oak ·  
Vintage  
Antique

B

**FVD-7272L-CN** · 2pc desk base  
72" W (left & right side) x 26" D x 31" H

See page 218 for dimensional details.

# Colbran

## OFFICE COLLECTION

Dream. Plan. Communicate with the chaotic outside world. Inside, you'll be working in a grounded, stress-free environment when you add Colbran furniture to your home or office.



# Colbran

## Desks & Filing Cabinets

### Standard Features

A	B	C	D	E	
•	•	•	•	•	Solid tapered sides
•	•	•			Kneehole 24½" W, with pencil drawer
•	•	•			1 File drawer, each side
			•	•	2 Std. file drawers
•	•	•			Pullout above drawers, each side
•		•	•		Unfinished back
	•			•	Finished back
	•				Curved top
•	•	•	•	•	Hardware = 1" Black square knob <b>R</b> (shown)

### Optional Features

A	B	C	D	E	
•	•	•			Split top drawer into 2 smaller drawers
		•			Finished back

See complete options list on pgs 150-151

### Also available:

**FVF-3DWR-CB**  
3 Drawer File Cabinet, 44¼" H

**FVF-3DWR-CB-F**  
3 Drawer File Cabinet with Finished Back, 44¼" H

**FVL-2144-CB**  
2 Drawer Lateral File Cabinet  
45½" W x 19¾" D x 31" H

**FVLC-063-CB**  
Lateral File Credenza  
63" W x 19¾" D x 31" H



QS White Oak • Michael's Cherry  
**A**

**FVD-2865-CB**  
67" W x 28¼" D x 31" H



QS White Oak • Michael's Cherry  
**B**

**FVD-3365-CB**  
curved top  
desk base  
67" W x 33" D x 31" H



QS White Oak • Michael's Cherry  
**C**

**FVD-2849-CB**  
50¾" W x 28¼" D x 31" H



QS White Oak • Michael's Cherry  
**D**

**FVF-2DWR-CB**  
24¼" W x 28¼" D x 31" H



QS White Oak • Michael's Cherry  
**E**

**FVF-2DWR-CB-F**  
24¼" W x 30" D x 31" H

# Craftsman Desks

## Standard Features

A	B	C	
•	•	•	1" solid top
•	•	•	Pencil drawer in center
•	•	•	1 Pencil drawer each side
•	•	•	Finished back side
•			Electric lift mechanism (made in the USA) for desk top – top lifts from 28" H - 46" H; 200lb. weight capacity on lift
•			Height switch with 3 programmable settings for lift mechanism
•	•	•	Hardware = Black Stickley Mission drawer pull <b>X-2</b> (shown)



## Optional Features

A	B	C	
		•	Omit tenons (no up charge)

See complete options list on pgs 150-151



Optional power station on back of desk  
TVSP3802-F



# DOVER


## Desks

### Standard Features

A	B	C	
•	•	•	Pencil drawer
•	•	•	Kneehole 24½" W
•	•	•	1 File drawer, each side
•	•		Unfinished back
		•	Finished back
•	•	•	Hardware = 1" Black knob <b>U</b> (shown)



### Optional Features

A	B	C	
•	•	•	Flat panel sides, no grooves (no up charge)
	•		Finished back
•	•	•	Hardware = <b>O-1</b>  (no up charge)

See complete options list on pgs 150-151



# *Ensenada* OFFICE COLLECTION

Whether catching up on household finances or working on a big project with a tight deadline, Ensenada office furniture, with its clean, graceful lines, inspires relaxed productivity.



# Ensenada Desks

## Standard Features

A	B	C	D	
•	•	•	•	Pencil drawer
•	•	•	•	1" Solid top
•	•	•	•	Beveled edge on legs
	•	•	•	Kneehole 24½" W
	•	•	•	1 File drawer, each side
	•	•	•	Pullout above drawers, each side
	•	•		Unfinished back
•			•	Finished back
			•	Curved top
•	•	•	•	Hardware = Satin Nickel drawer pull <b>T2</b> (shown)

Oak · Driftwood  
A



FVD-2654-EN · writer's desk  
54" W x 26" D x 31" H

Sap Cherry · Asbury  
B



FVD-2865-EN  
67" W x 28½" D x 31" H

## Optional Features

A	B	C	D	
		•		Finished back
	•	•	•	Split top drawer into 2 smaller drawers
•	•	•	•	Hardware = <b>1-B</b> (no up charge)



See complete options list on pgs 150-151

Sap Cherry · Asbury  
C



FVD-2849-EN  
50¾" W x 28½" D x 31" H

Sap Cherry · Asbury  
D



Back view

FVD-3365-EN  
curved top desk base  
67" W x 33" D x 31" H



# Ensenada Hutch & L Desk

## Standard Features

A	B	C	
•	•		Kneehole 30½" W, each side
•	•	•	Keyboard pull-out drawer on left; pencil drawer on right
•	•		Pullout above drawers, each side
•	•		1 File drawer, each side
		•	1 File drawer, left side
•	•		Unfinished back (left side), finished back (right side)
		•	Finished back
•	•		Grommet in top (hutch side)
•			Soft close (concealed hinge) doors
•			Dimmable LED touch lighting (warm white) in work area and open shelf area
•			1 Adj. shelf behind small doors, 2 behind large door on right
•			Adjustable glass shelf in center
•			Work area = 47¼" W x 13" D x 22" H
•	•	•	Hardware = 1" Satin Nickel knob and drawer pull <b>T-1, T-2</b> (shown)

## Optional Features

A	B	C	
•	•	•	Reverse sides (no up charge)
•	•	•	Split top drawers into 2 small drawers
		•	Finished back side on left side of desk
•	•	•	Hardware = <b>1-A, 1-B</b> (no up charge)

See complete options list on pgs 150-151



See page 217 for dimensional details.


# Ensenada

## File Cabinets & Lateral File Credenza

### Standard Features

A	B	C	D	
•	•	•	•	Beveled edge on legs
•		•	•	Unfinished back
	•			Finished back
•	•			2 Std. file drawers
		•	•	2 Lateral file drawers
			•	Soft close (concealed hinge) doors
			•	1 Adj. shelf behind doors
•	•	•	•	Hardware = Satin Nickel drawer pull <b>T-2</b> (shown)

### Optional Features

A	B	C	D	
		•		Blum, soft close undermount drawers
•	•	•	•	Hardware = <b>1-B</b> (no up charge) 

See complete options list on pgs 150-151

### Also available:

**FVF-3DWR-EN**

3 Drawer File Cabinet, 44¾" H

**FVF-3DWR-EN-F**

3 Drawer File Cabinet with Finished Back, 44¾" H



**FVL-2144** Drawers come with 2 sets of black aluminum file rails with slots for standard or legal files



A Sap Cherry · Asbury

**FVF-2DWR-EN**

24¼" W x 28½" D x 31" H



B Sap Cherry · Asbury

**FVF-2DWR-EN-F**

24¼" W x 29¾" D x 31" H



C Sap Cherry · Charwood

**FVL-2144-EN**

45½" W x 19¾" D x 34" H



D Sap Cherry · Asbury

**FVLC-063-EN**

63" W x 19¾" D x 34" H



# Grant Desks

## Standard Features

A	B	
•	•	1" solid top
•	•	Pencil drawer
•	•	Finished back side
•		Electric lift mechanism (made in the USA) for desk top – top lifts from 28" H - 46" H; 200lb. weight capacity on lift
•		Height switch with 3 programmable settings for lift mechanism
•	•	Hardware = Black Stickley Mission drawer pull <b>X-2</b> (shown)



## Optional Features

See complete options list on pgs 150-151



Optional power station on back of desk  
**TVSP3802-F**

Oak · Michael's Cherry w/burnished edges



**A** FVD-2865-HT-GR  
2pc hutch & desk base  
64¼" W x 28½" D x 79¾" H

**B** FVD-2865-GR  
desk base  
64¼" W x 28½" D x 31" H

C Rustic Cherry · Michael's Cherry



**C** FVD-3365-GR  
curved top desk base  
64¼" W x 33" D x 31" H



Finished back side

D Rustic Cherry · Michael's Cherry



**D** FVD-2849-GR  
47¾" W x 28½" D x 31" H

# Grant

## Hutch, Desks & Filing Cabinets

### Standard Features

A	B	C	D	E	F	
•	•	•	•			Kneehole 24½" W, with pencil drawer
•	•	•	•			1 File drawer, each side
				•	•	2 Std. file drawers
•	•	•	•			Pullout above drawers, each side
•	•		•	•		Unfinished back
		•			•	Finished back
•						Soft close (concealed hinge) doors
•						Dimmable LED touch lighting
•						2 Adj. shelves behind right door, 1 behind left door
•						Adjustable glass shelf in center
•	•	•	•	•	•	Hardware = Black Stickley Mission drawer pull and knob <b>X-1, X-2</b> (shown)

Rustic Cherry · Michael's Cherry



**E**

FVF-2DWR-GR  
21" W x 28½" D x 31" H

Rustic Cherry · Michael's Cherry



**F**

FVF-2DWR-GR-F  
21" W x 30" D x 31" H

### Optional Features

A	B	C	D	E	F	
	•		•			Finished back

See complete options list on pgs 150-151

See page 216 for dimensional details.





Rough Sawn Rustic White Oak • Bel Air w/#10 Low Sheen



FVD-3365-HT  
Houston desk  
65½" W x 31" D x 31¼" H

# HOUSTON

## Desks

### Standard Features

A	B
•	•
•	•
•	•
•	•
•	•
•	•
•	•
•	•
•	•
•	•

Available in Rough Sawn Rustic Brown Maple and White Oak ONLY

1½" (rough sawn) solid top

Kneehole 24½" W, with pencil drawer

1 File drawer in each pedestal

Finished back

Unfinished back

Hardware = Swedish Iron drawer pull **7-B** (shown)



Rough Sawn Rustic White Oak • Bel Air w/#10 Low Sheen

B

FVD-2865-HT  
Houston desk  
65½" W x 28¼" D x 31¼" H

### Optional Features

A	B
•	•
•	•

Black or brown leather writing pad 15" x 23" (lays on top)

Wooden pegs in legs

See complete options list on pgs 150-151



Optional black or brown leather writing pad (15" x 23")



Optional wooden pegs

# *Kascade* OFFICE COLLECTION

Form and function found the best possible balance in the Kascade office. Uniquely artful details like corbels and applied slats create a new twist on the classic Mission style. Subtly designed accommodations for modern office electronics are also built in.



# Kascade Desks

## Standard Features

A	B	C	D	
•	•	•	•	Kneehole 24½" W, with pencil drawer
•	•	•	•	1 File drawer, each side
•	•	•	•	Pullout above drawers, each side
•	•	•	•	Unfinished back
	•			Finished back
	•			Curved top
		•	•	4" deep drawers with drawer stop (prevents drawers from falling out)
		•	•	Top slots = 4½" W x 9¾" D x 5" H; Side slots = 11½" W x 9¾" D x 4¼" H; all dividers removable
•	•	•	•	Hardware = 1" Black square knob <b>R</b> (shown)

## Optional Features

A	B	C	D	
•	•	•	•	Flat sides – no Kascade slatted detail (no up charge)
		•		Finished back

See complete options list on pgs 150-151



Optional flat sides



A

FVD-2865-KS  
65" W x 28¼" D x 31" H



B

FVD-3365-KS  
curved top desk base  
65" W x 33" D x 31" H



C

FVD-2849-KS  
48¼" W x 28¼" D x 31" H



D

FVD-2865-DT-KS  
Desk: 65" W x 28¼" D x 31" H  
Topper: 53½" W x 11¼" D x 17" H



# Kascade

## File Cabinets & Lateral File Credenza

### Standard Features

A	B	C	
•		•	Unfinished back
	•		Finished back
•	•		2 Std. file drawers
		•	2 Lateral file drawers
		•	Soft close (concealed hinge) doors
		•	1 Adj. shelf behind doors
•	•	•	Hardware = 1" Black square knob <b>R</b> (shown)

### Optional Features

See complete options list on pgs 150-151

### Also available:

**FVF-3DWR-KS**  
3 Drawer File Cabinet, 43¾" H

**FVF-3DWR-KS-F**  
3 Drawer File Cabinet  
with Finished Back, 43¾" H

**FVL-2144-KS**  
2 Drawer Lateral File Cabinet,  
42" W x 19¾" D x 31" H



**FVL-2144** Drawers come with 2 sets of black aluminum file rails with slots for standard or legal files



# LEXINGTON ARC

## Desks

### Standard Features

A	B	C	D	
•	•	•	•	Kneehole 24½" W, with pencil drawer
•	•	•	•	Pullout above drawers, each side
•	•	•		1 File drawer, each side
			•	2 drawers on right side; file drawer on left side (looks like double drawer)
•		•		Unfinished back
	•		•	Finished back
•	•	•		Hardware = Satin Nickel drawer pull <b>T-2</b> (shown)



Sap Cherry • Carbon  
A

FVD-2865-LA  
65" W x 28½" D x 31" H



Sap Cherry • Carbon  
B

FVD-3365-LA  
curved top desk base  
65" W x 33" D x 31" H

### Optional Features

A	B	C	D	
•		•		Finished back
•		•		Hardware = <b>1-B</b> (no up charge)



See complete options list on pgs 150-151



Brown Maple • Charwood  
C

FVD-2849-LA  
49⅞" W x 28½" D x 31" H



Sap Cherry • Mineral  
D

FVD-3065-LA  
65" W x 30" D x 31" H

Finished back side

# LEXINGTON ARC


## Hutch & L Desk

### Standard Features

A	B	
•	•	Kneehole 30½" W, each side
•	•	Keyboard pull-out drawer on left; pencil drawer on right
•	•	Pullout above drawers, each side
•	•	1 File drawer, each side
•	•	Unfinished back (left side), finished back (right side)
•	•	Grommet in top (hutch side)
•	•	Soft close (concealed hinge) doors
•	•	Dimmable LED touch lighting (warm white) in work area and open shelf area; adjustable glass shelf in center
•	•	1 Adj. shelf behind small doors, 2 behind large door on right
•	•	Work area = 47¼" W x 13" D x 22" H
•	•	Hardware = 1" Satin Nickel knob and drawer pull <b>T-1, T-2</b> (shown)



### Optional Features

A	B	
•	•	Reverse sides (no up charge)
•	•	Finished back side on left side of desk
•	•	Hardware = <b>1-A, 1-B</b> (no up charge) 

See complete options list on pgs 150-151

See page 217 for dimensional details.

# LEXINGTON ARC

## Filing Cabinets & Lateral File Credenza

### Standard Features

A	B	C	D	
•	•		•	Unfinished back
		•		Finished back
	•	•		2 Std. file drawers
			•	2 Lateral file drawers
			•	Soft close (concealed hinge) doors
			•	1 Adj. shelf behind doors
•	•	•	•	Hardware = 1" Satin Nickel knob and drawer pull <b>T-1, T-2</b> (shown)

### Optional Features

A	B	C	D	
•	•	•	•	Blum, soft close undermount drawers
•	•	•	•	Hardware = <b>1-A, 1-B</b> (no up charge)



See complete options list on pgs 150-151



**FVL-2144** Drawers come with 2 sets of black aluminum file rails with slots for standard or legal files



# Marina OFFICE COLLECTION

Sophisticated, open-concept design meets quality-conscious construction in the Marina office collection. A modern workspace with all the functional office features you expect and a sleek, simplistic look subtly state that you're a connoisseur of good taste in both your professional and personal life.



# Marina

## Hutch, L Desk, Desk & Credenza

### Standard Features

A	B	C	D	
•	•	•	•	1" Solid tops and sides
•	•	•	•	Locking mitered joints on corners
•	•			Kneehole 34" W each side
•	•	•		Kneehole 24½" W, with pencil drawer
•	•			Keyboard pull-out drawer on left; pencil drawer on right
•	•	•		1 File drawer, each side
•	•	•		Finished back (both sides)
•	•			Grommet in top (hutch side)
•				Work area= 47¼" W x 11¼" D x 24⅞" H
	•			Soft close (concealed hinge) doors
	•			1 Adj. shelf behind doors
	•			1 Lateral file drawer, 1 regular drawer
•	•	•	•	Hardware = Satin Nickel door knob and drawer pull <b>10-A, 10-B</b> (shown)



### Optional Features

See complete options list on pgs 150-151



Standard locking mitered joints

See page 219 for dimensional details.

# SARATOGA

## OFFICE COLLECTION

With its dramatic circles, deep bevels and flowing lines Saratoga creates an office environment like no other...a space that's inviting, artistic and exciting. It's the perfect catalyst for great thoughts and ideas, so pull up a chair and be inspired!



# SARATOGA


## Desks

### Standard Features

A	B	
•	•	Finished back side
•	•	Pencil drawer
•	•	Solid, curved base with curved drawer front
	•	Kneehole 24½" W
	•	Pullout above drawers, each side
	•	2 Drawers on right side; file drawer on left side (looks like double drawer)
•	•	Hardware = Satin Nickel drawer pull <b>I-2</b> (shown)



### Optional Features

A	B	
•	•	Hardware = <b>J-2</b>  (no up charge)

See complete options list on pgs 150-151





# SARATOGA

## Desk & Back Bar

### Standard Features

A	B	C	
•	•	•	Solid curved base, curved drawer fronts
	•	•	2 Adj. shelves behind each door
•			Kneehole 24½" W, with pencil drawer
•			Pullout above drawers, each side
•			1 File drawer, each side
	•	•	Unfinished back
	•		Finished back
•	•	•	Hardware = 1¼" Satin Nickel knob and drawer pull <b>I-1, I-2</b> (shown)

### Optional Features

Hardware = **J-1, J-2** (no up charge)



See complete options list on pgs 150-151

See page 220 for dimensional details.



Finished back side



Sap Cherry · Burnt Umber  
A

**FVD-3367-ST**  
curved top desk  
67" W x 33" D x 31" H



Sap Cherry · Burnt Umber

**B** **FVBB-2074-HT-ST** · 2pc back bar & hutch top  
74" W x 19¾" D x 87½" H

**C** **FVBB-2074-ST** · back bar (base only)  
74" W x 19¾" D x 34" H



# *Victorian* WRAP-AROUND DESK

What do you want your workspace to say about you? That quality is a priority to you? That you sweat the details? That the style best suited to your taste is simple yet stately? If so, the Victorian Wrap-Around Desk is the perfect choice for your home or business office.




# Victorian Wrap Around Desk & Std Desks

## Standard Features

A	B	C	
•	•	•	Solid, raised panel sides
•	•	•	Pullout above drawer bank with 3 drawers (1 file drawer), each side
•			Top has mitered corners
•			Keyboard pull-out drawer on hutch side; pencil drawers – 2 in center kneehole, 1 in outside kneehole
	•	•	Kneehole 24½" W, with pencil drawer
•			Grommet in top (hutch side)
•			Soft close (concealed hinge) doors
•			Dimmable LED (warm white) touch lighting in work area and open shelf area
•			2 Adj. shelves behind wood doors, 1 adj. glass shelf in center
•			Finished back on front and left side; unfinished back on hutch side
	•		Unfinished back
		•	Finished back
•	•	•	1¼" Oil Rubbed Bronze knob and drawer pull <b>S-1, S-2</b> (shown)

## Optional Features

A	B	C	
•			Reverse sides (no up charge)
•			3pc desk base only <b>FVD-9678U-VS</b>
•	•	•	Hardware = <b>8-A, 8-B</b> (no up charge) 

See complete options list on pgs 150-151

See page 219 for dimensional details.



Rustic Cherry · Michael's Cherry

A



FVD-9678U-HT-VS · 4pc desk

desk: 78" W x 96" D x 31" H

hutch: 74¼" W x 19½" D x 53" H

Sap Cherry · Vintage Antique

B



FVD-2865-VS

63¾" W x 28" D x 31" H

Sap Cherry · Vintage Antique

C



FVE-3365-VS

63¾" W x 33" D x 31" H

# Victorian Hutch & L Desk

## Standard Features

A	B	
•	•	Solid, raised panel sides
•	•	Kneehole 30½" W, each side
•	•	Keyboard pull-out drawer on left; pencil drawer on right
•	•	Pullout above drawers, each side
•	•	1 File drawer, each side
•	•	Unfinished back (left side), finished back (right side)
•	•	Grommet in top (hutch side)
•	•	Soft close (concealed hinge) doors
•	•	Dimmable LED touch lighting (warm white) in work area and open shelf area
•	•	1 Adj. shelf behind each door
•	•	Work area = 67¾" W x 13" D x 19½" H
•	•	Hardware = 1¼" Oil Rubbed Bronze knob and drawer pull <b>S-1, S-2</b> (shown)



Oak • Briar

A

FVD-7878L-HT-VS · 3pc desk base & hutch  
desk: 78" W (left & right side) x 30" D x 31" H  
hutch: 77⅞" W x 16¾" D x 48½" H

HARDWARE &  
DOOR OPTIONS

## Optional Features

A	B	
•	•	Reverse sides (no up charge)
•	•	Finished back side on left side of desk
•	•	Hardware = <b>8-A, 8-B</b> (no up charge)



See complete options list on pgs 150-151



Oak • Briar

B

FVD-7878L-VS  
2pc desk base

78" W (left & right side) x 30" D x 31" H

### Also available:

FVLC-063-VS  
2 Door, 2 Drawer Lateral File Credenza  
63" W x 19¾" D x 31" H

FVL-2144-VS  
2 Drawer Lateral File Cabinet  
43" W x 19¾" D x 31" H

See page 218 for dimensional details.

# DECORATIVE HARDWARE

HARDWARE & DOOR OPTIONS



A-1 K-40-B 1¼" Diameter round wood knob  
 A-2 K-40-C 1½" Diameter round wood knob  
 B-1 K-50-B 1¼" Square pyramid wood knob  
 B-2 K-50-C 1½" Square pyramid wood knob  
 C-1 11-LP 1⅝" Low profile round wood knob  
 C-2 17-LP 1¾" Low profile round wood knob  
 D K-53-B 1¼" Square pyramid Black knob  
 E 853-BN 1¼" Black Nickel knob  
 F-1 53471-WN 1¼" Weathered Nickel knob  
 F-2 53470-WN Weathered Nickel drawer pull  
 H-2 D-527-A Black Mission door pull  
 H-3 D-529-A Black Mission drawer pull  
 I-1 595-SN 1¼" Satin Nickel knob  
 I-2 595-96-SN 1¼" Satin Nickel drawer pull  
 J-1 595-DBAC 1¼" Oil Rubbed Bronze knob  
 J-2 595-96-DBAC Oil Rubbed Bronze drawer pull  
 L-1 552 Black door pull  
 L-2 553 Black drawer pull

M-1 552-ORB Oil Rubbed Bronze door pull  
 M-2 553-ORB Oil Rubbed Bronze drawer pull  
 O-1 53005-G10 1¼" Satin Nickel round knob  
 P-1 D-570-W 1" Wrought Iron knob  
 P-2 D-521-W Wrought Iron drawer pull  
 Q-1 K155-DBAC 1⅝" Antique Copper knob  
 Q-2 K155-96DBAC Antique Copper drawer pull  
 R D-524 1" Black square knob  
 S-1 107-DBAC 1¼" Oil Rubbed Bronze knob  
 S-2 3899-DBAC Oil Rubbed Bronze drawer pull  
 T-1 525-SN 1" Satin Nickel knob  
 T-2 525-96-SN Satin Nickel drawer pull  
 U 1217-MB 1" Black knob  
 W-1 4425-WI 1¼" Wrought Iron knob  
 W-2 4424-WI Wrought Iron drawer pull  
 X-1 D942-BL 1¼" Black Stickley Mission knob  
 X-2 D925-BL Blk Stickley Mission drawer pull  
 Y-1 4655-SN 5" Satin Nickel pull



- |      |               |                                      |
|------|---------------|--------------------------------------|
| 1-A  | 525-DBAC      | 1" Oil Rubbed Bronze knob            |
| 1-B  | 525-96-DBAC   | Oil Rubbed Bronze drawer pull        |
| 2-A  | P3230-OBH     | 1 1/4" Oil Rubbed Bronze knob        |
| 2-B  | P3232-OBH     | Oil Rubbed Bronze drawer pull        |
| 3-A  | P3230-SN      | 1 1/4" Satin Nickel knob             |
| 3-B  | P3232-SN      | Satin Nickel drawer pull             |
| 4-A  | 4425-ORB      | 1 1/4" Oil Rubbed Bronze knob        |
| 4-B  | 4424-ORB      | Oil Rubbed Bronze drawer pull        |
| 5-A  | 29310-ORB     | 1 3/16" Oil Rubbed Bronze knob       |
| 5-B  | 29295-ORB     | Oil Rubbed Bronze drawer pull        |
| 6-A  | 29310-G10     | 1 3/16" Satin Nickel knob            |
| 6-B  | 29295-G10     | Satin Nickel drawer pull             |
| 7-A  | K58-SI        | 1 1/2" Long Swedish Iron door pull   |
| 7-B  | K558-SI       | Swedish Iron drawer pull             |
| 8-A  | 107-SN        | 1 1/4" Satin Nickel knob             |
| 8-B  | 3899-SN       | Satin Nickel drawer pull             |
| 9-B  | 26203-G10     | Satin Nickel drawer pull             |
| 10-A | 993-SN        | 1 3/4" Long Satin Nickel door handle |
| 10-B | 3371-SN       | Satin Nickel drawer pull             |
| 11-B | 415-128-BNBDL | Brushed Pewter drawer pull           |
| 12-B | 415-128-SN    | Satin Nickel drawer pull             |
| 13-B | 205128195     | Satin Nickel drawer pull             |



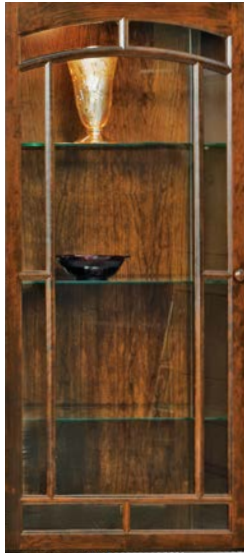
# DOOR OPTIONS

Nothing gives our solid wood furniture the finishing touches like hand-applied mullions. Other insert options include speaker cloth, and clear beveled, seedy or water glass.

## Mullions



MLMM



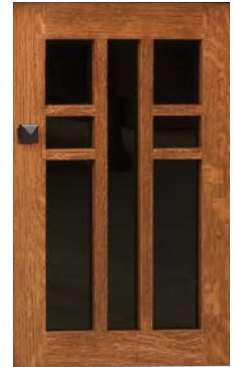
MLVS



MLHH



MLOCS



MLKS



MLAC



MLCN

## Inserts



Clear beveled glass



Speaker cloth



Seedy glass



Water glass

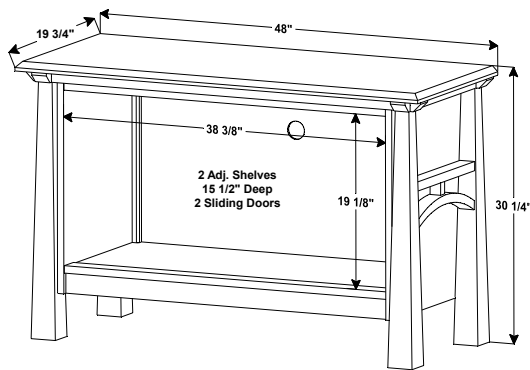
*Special Note: All remotes work through glasswork on this page.*



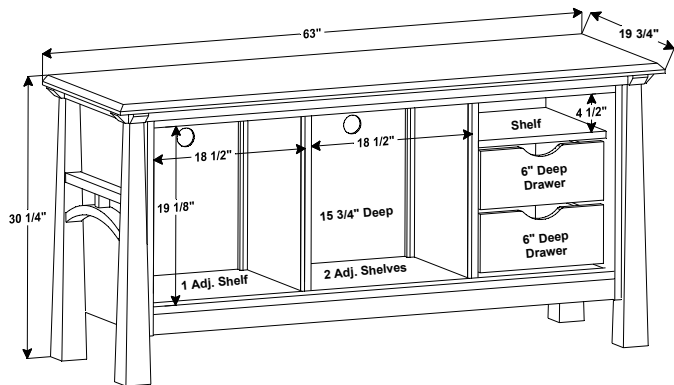
# Dimensional Details

No details have been forgotten when preparing for your furnishing purchase.

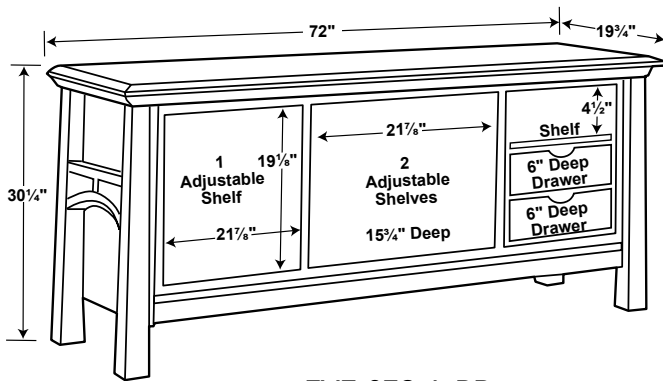
This section has all the dimensions for media consoles, cabinets, large wall units, and office furnishings needed for reference when selecting and ordering.



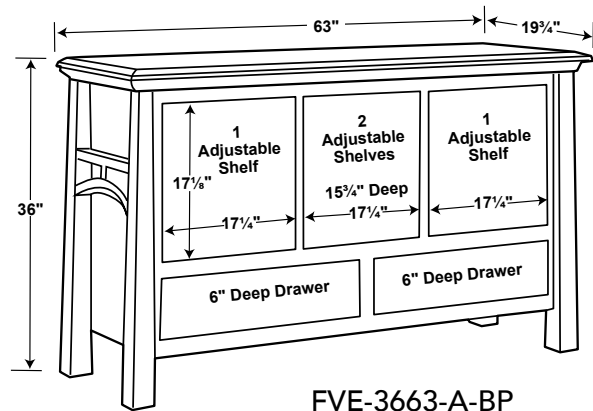
FVE-048-A



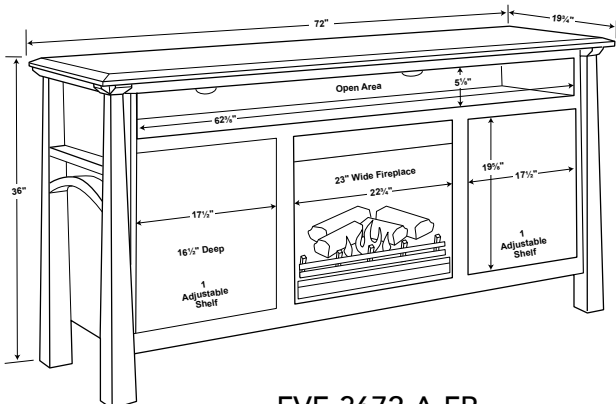
FVE-060-A-BP



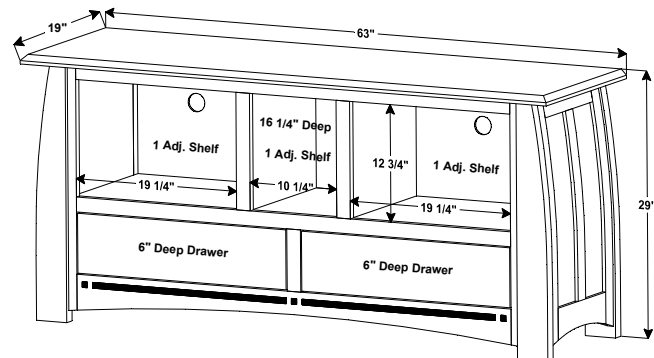
FVE-072-A-BP



FVE-3663-A-BP



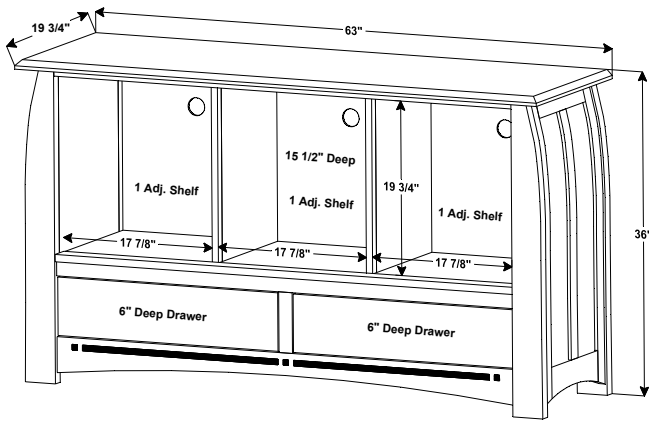
FVE-3672-A-FP



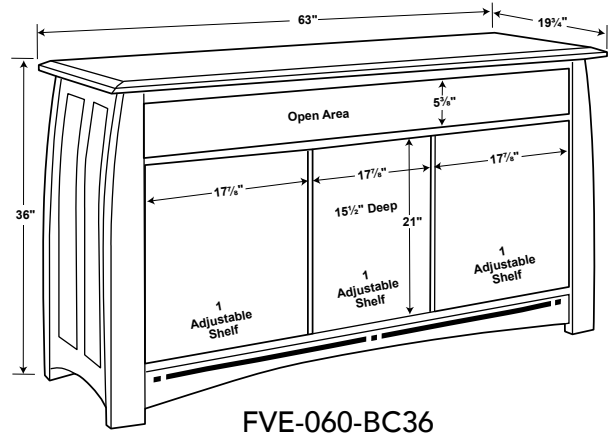
FVE-032-BC-BP

# Dimensional Details

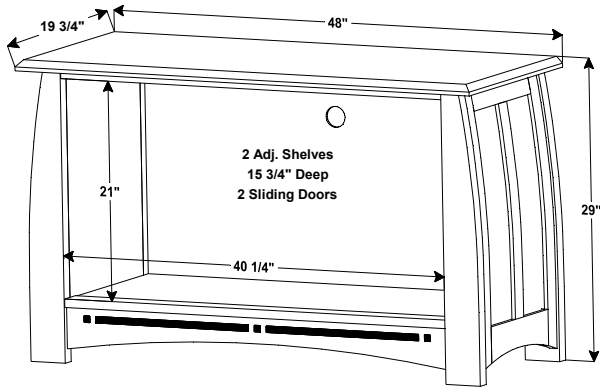
media stands, cabinets & consoles



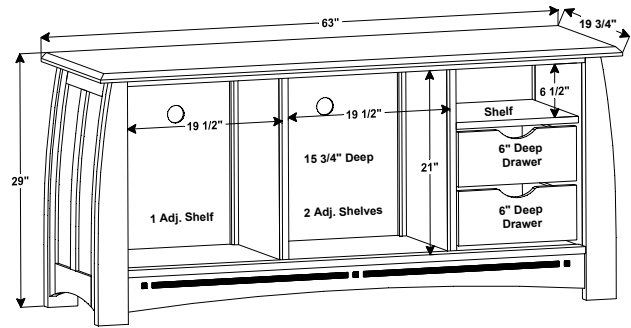
FVE-3663-BC-BP



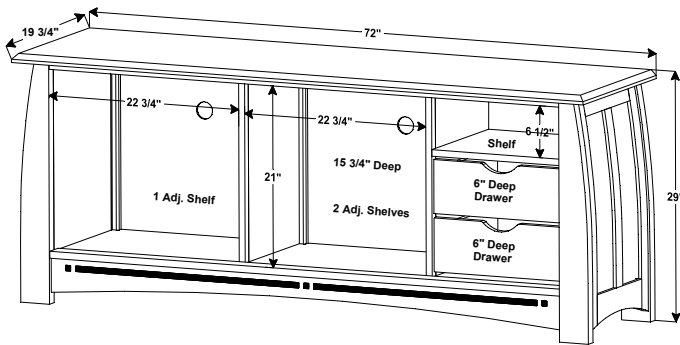
FVE-060-BC36



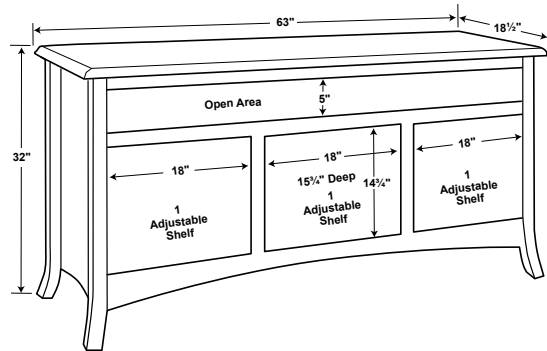
FVE-048-BC



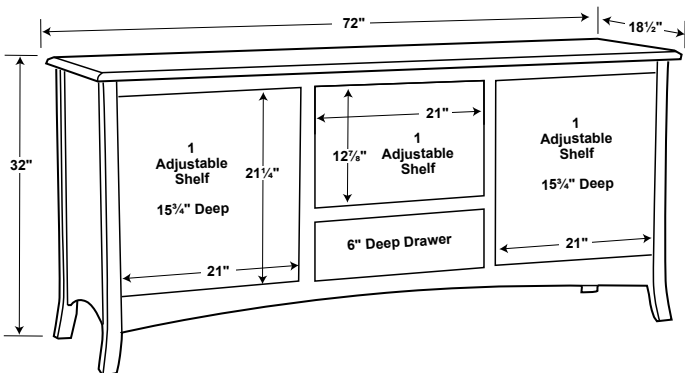
FVE-060-BC-BP



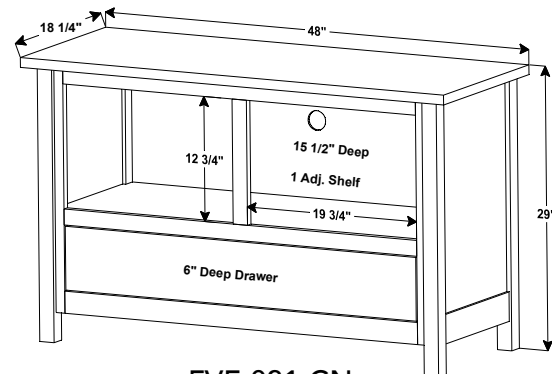
FVE-072-BC-BP



FVE-3263-CR



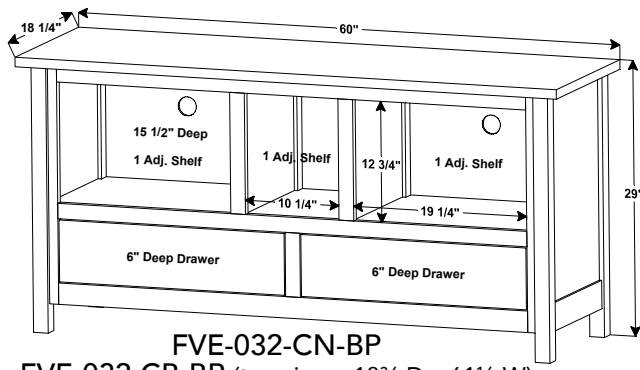
FVE-072-CR



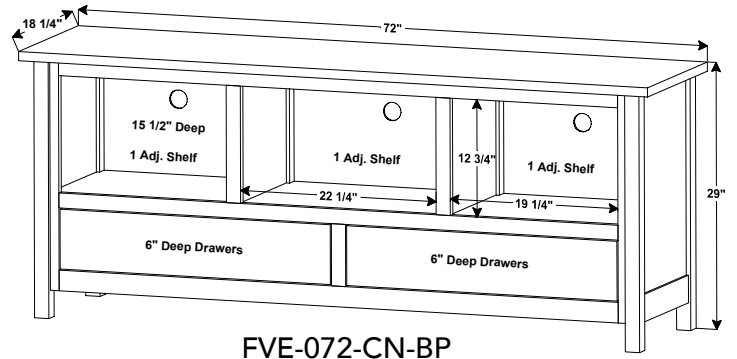
FVE-031-CN;  
FVE-031-CB (top size = 18 3/4 D x 49 1/4 W)  
FVE-031-MD; FVE-031-WL

DIMENSIONAL DETAILS

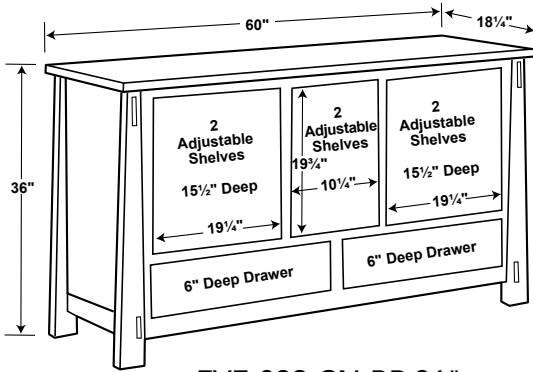
# Dimensional Details | media stands, cabinets & consoles



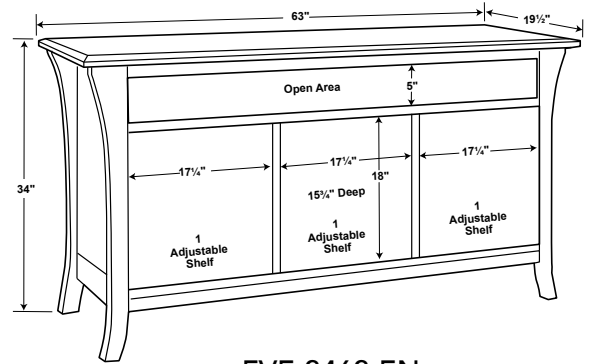
**FVE-032-CN-BP**  
**FVE-032-CB-BP** (top size = 18 3/4 D x 61 1/4 W)  
**FVE-032-MD-BP; FVE-032-WL-BP**



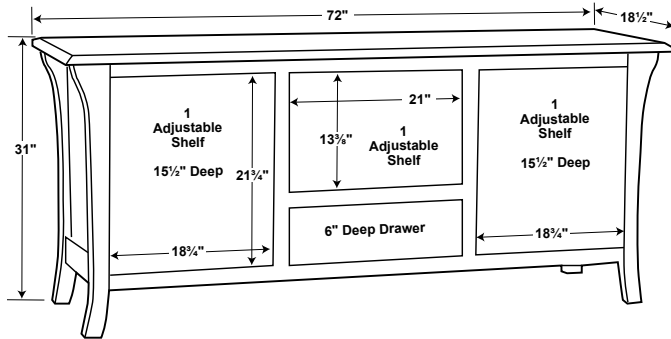
**FVE-072-CN-BP**  
**FVE-072-CB-BP** (top size = 18 3/4 D x 73 1/4 W)  
**FVE-072-MD-BP; FVE-072-WL-BP**



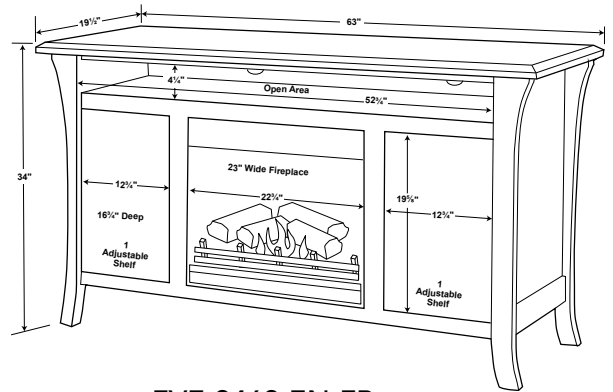
**FVE-032-CN-BP 36"**  
**FVE-032-MD-BP 36"**



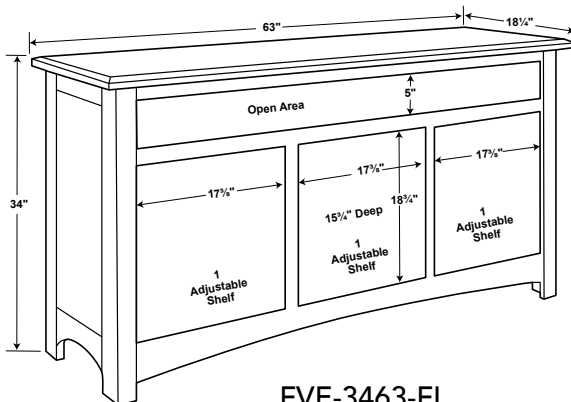
**FVE-3463-EN**



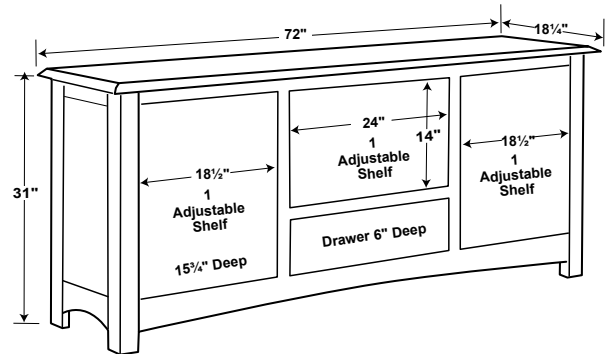
**FVE-072-EN**



**FVE-3463-EN-FP**

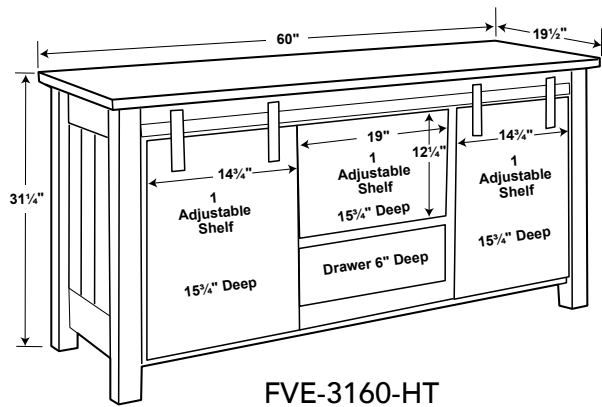


**FVE-3463-FL**

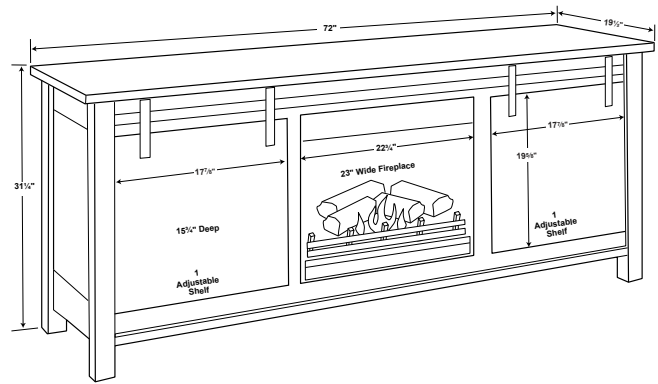


**FVE-072-FL**

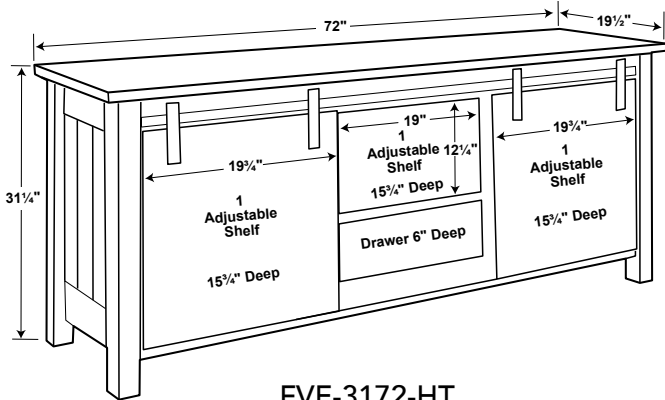
# Dimensional Details | media stands, cabinets & consoles



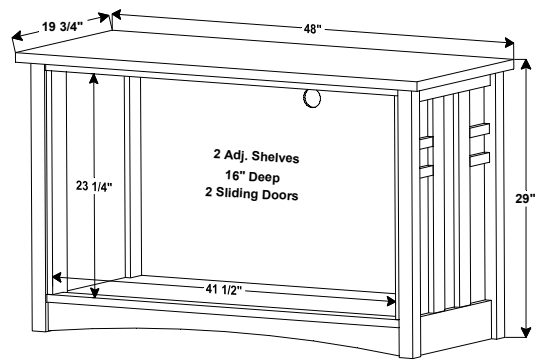
FVE-3160-HT  
FVE-3160-TB



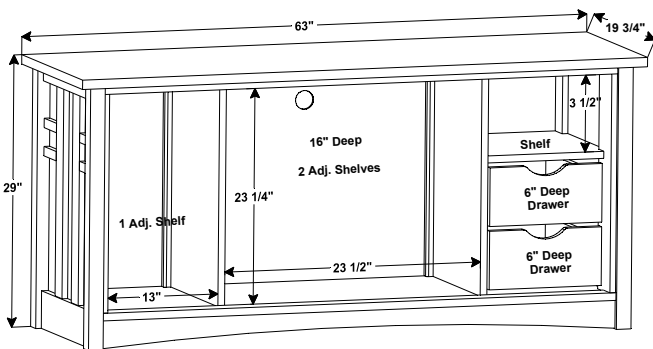
FVE-3172-HT-FP



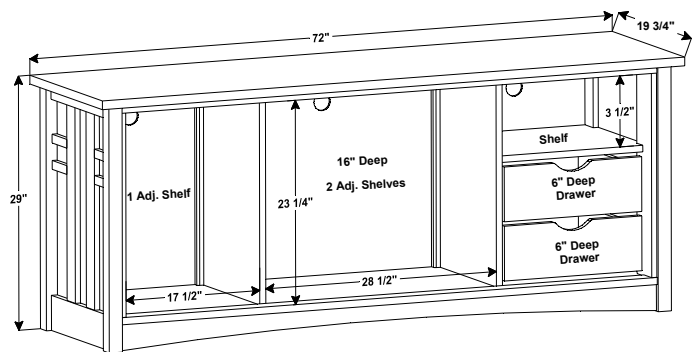
FVE-3172-HT  
FVE-3172-TB



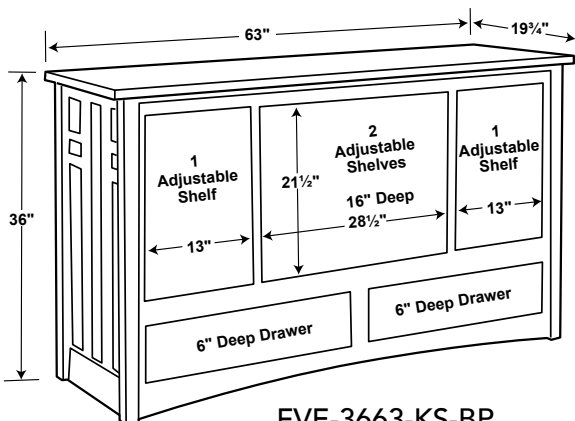
FVE-048-KS



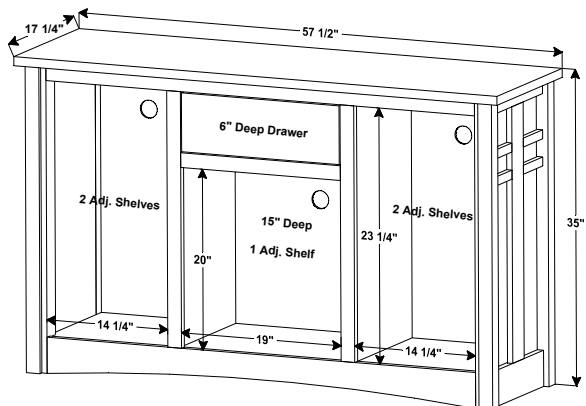
FVE-060-KS-BP



FVE-072-KS-BP

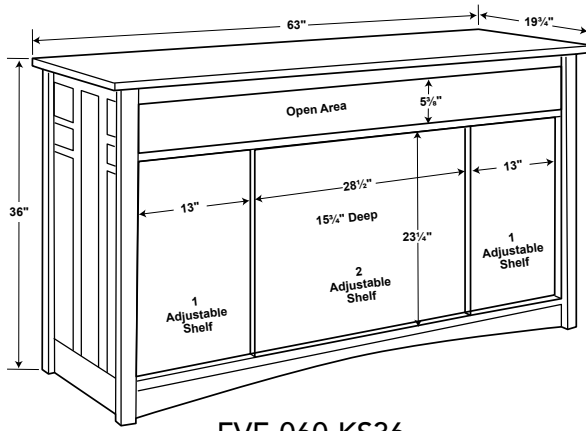


FVE-3663-KS-BP

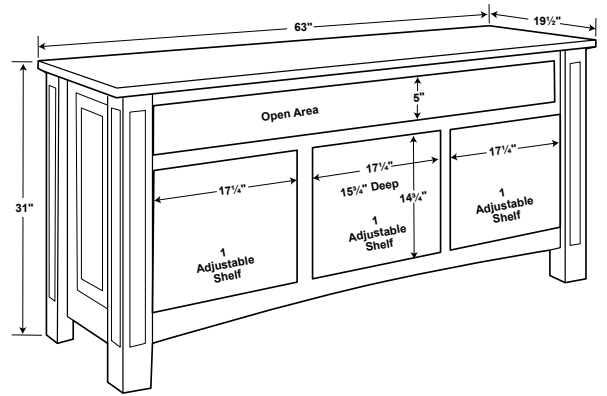


FVE-037-KS

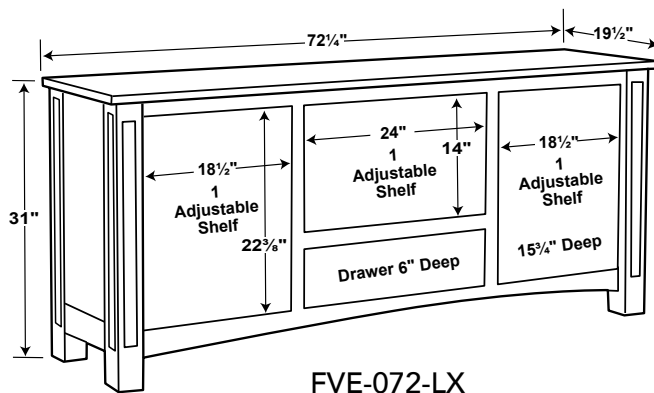
# Dimensional Details | media stands, cabinets & consoles



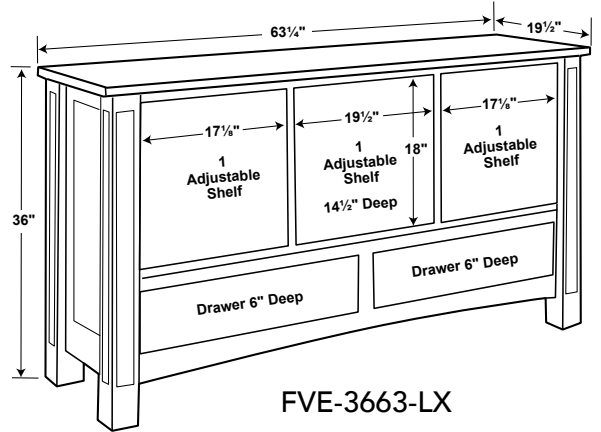
FVE-060-KS36



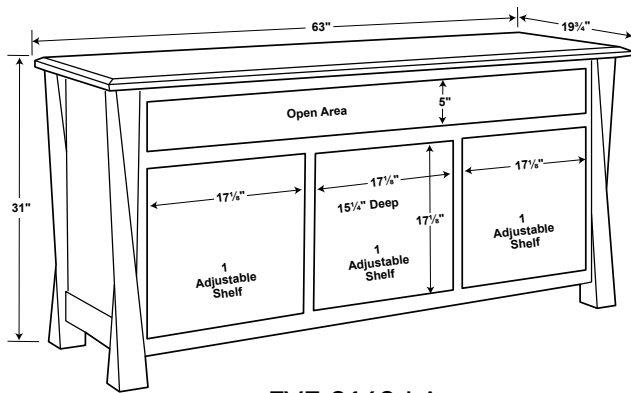
FVE-3163-LX



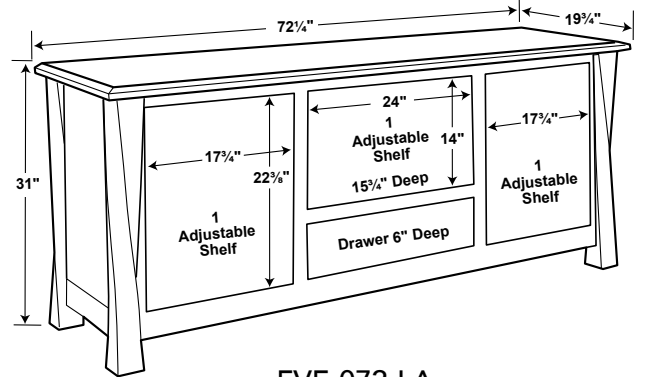
FVE-072-LX



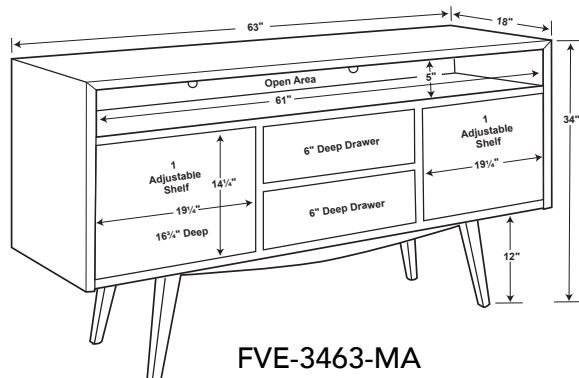
FVE-3663-LX



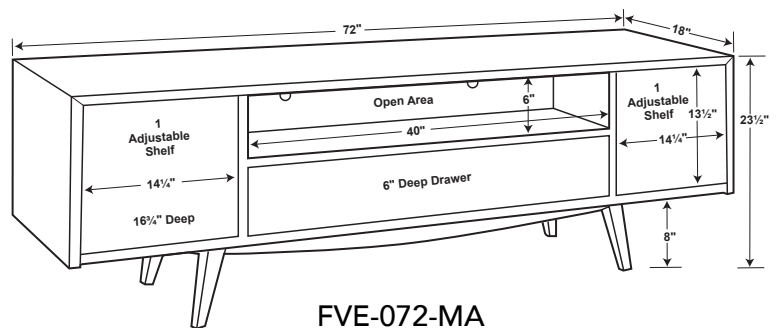
FVE-3163-LA



FVE-072-LA

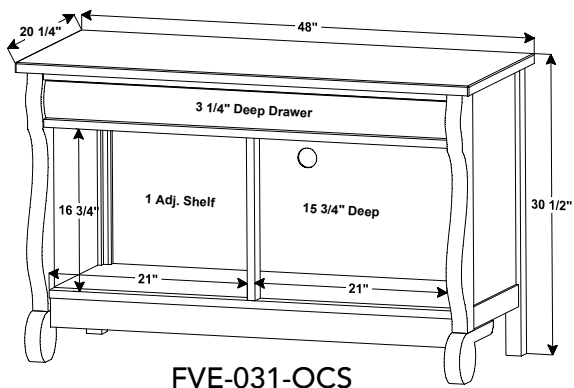


FVE-3463-MA

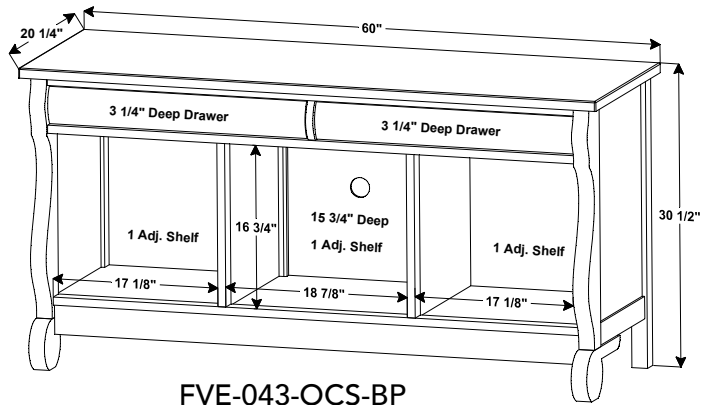


FVE-072-MA

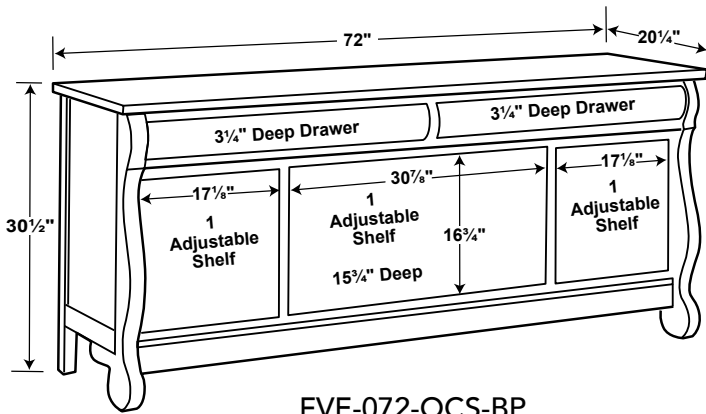
# Dimensional Details | media stands, cabinets & consoles



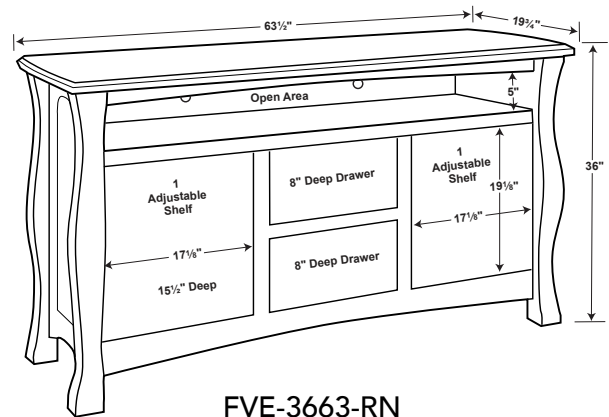
FVE-031-OCS



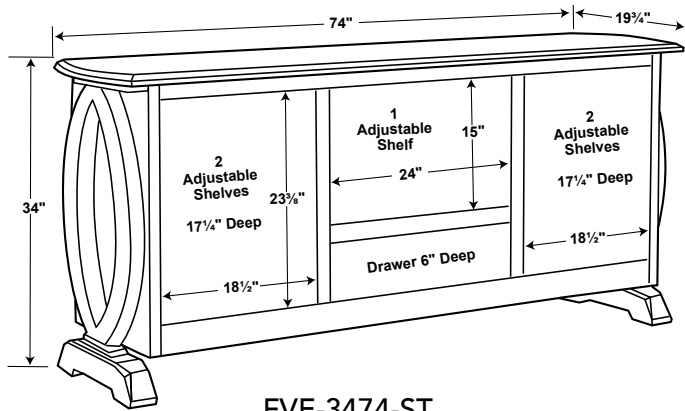
FVE-043-OCS-BP



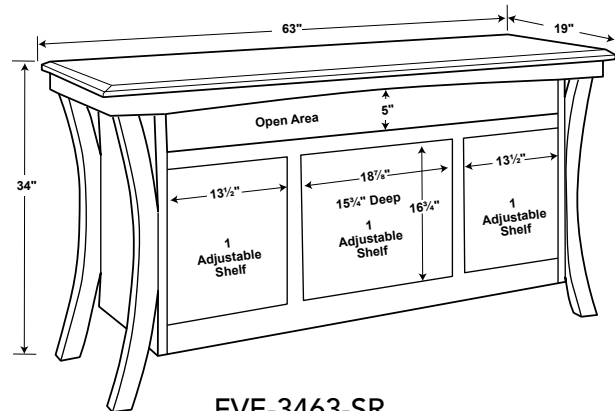
FVE-072-OCS-BP



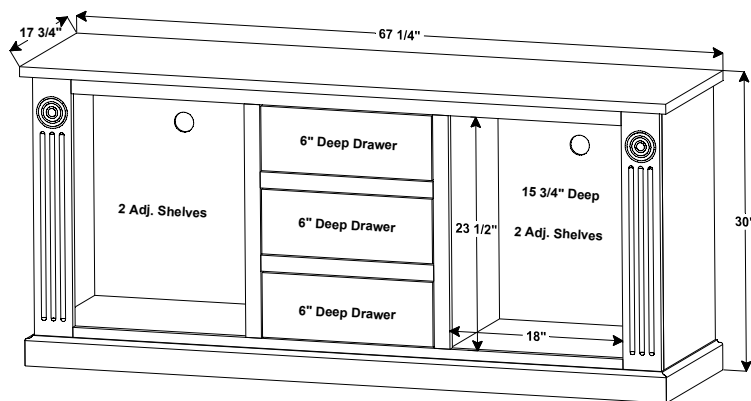
FVE-3663-RN



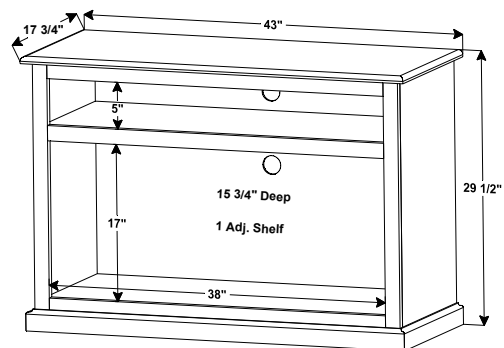
FVE-3474-ST



FVE-3463-SR

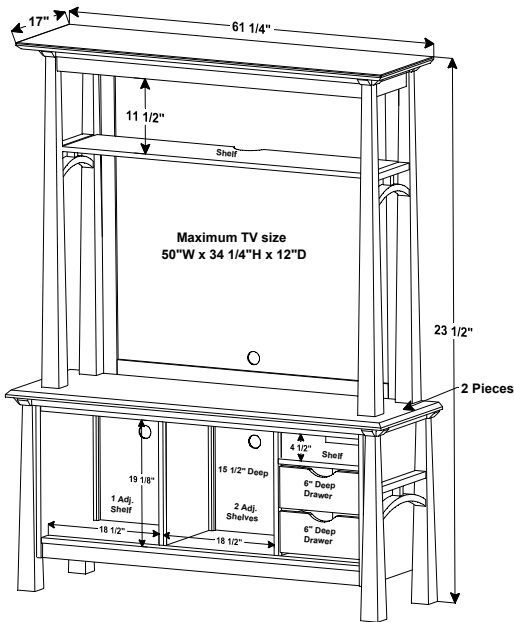


FVE-047-VS-BP

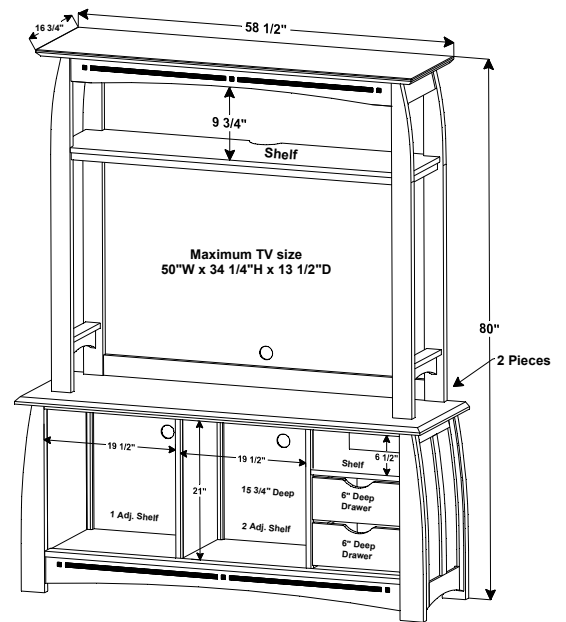


FVE-024-C-XL;  
FVE-024-M-XL

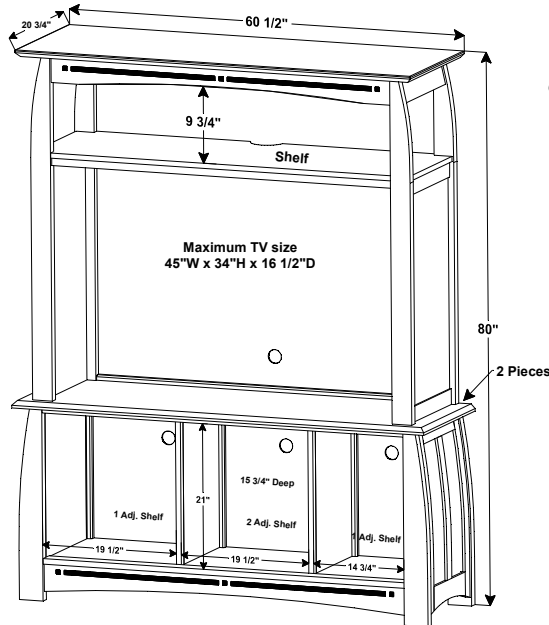
# Dimensional Details | media stands, cabinets & consoles



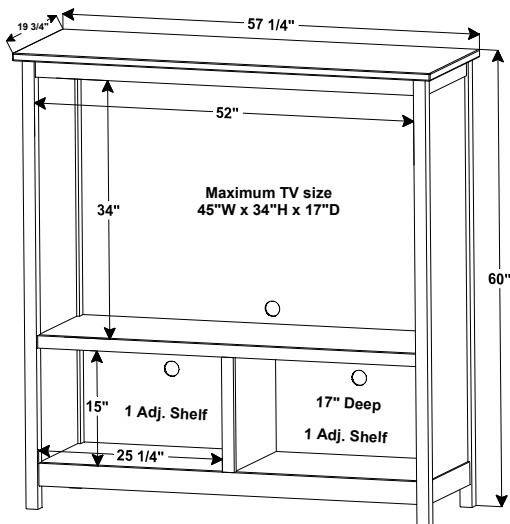
**FVE-060-A**  
Base only:  
63" W x 30 1/4" H x 19 3/4" D



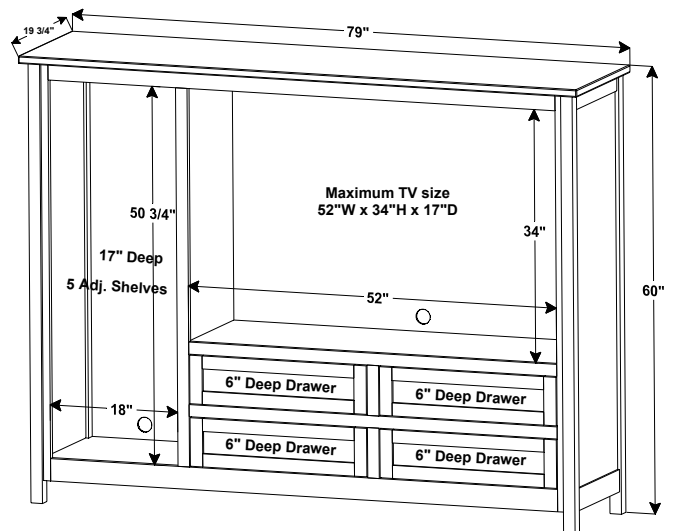
**FVE-060-BC**  
Base only:  
63" W x 29" H x 19 3/4" D



**FVE-2060-BC**  
TV sits 29" off the floor



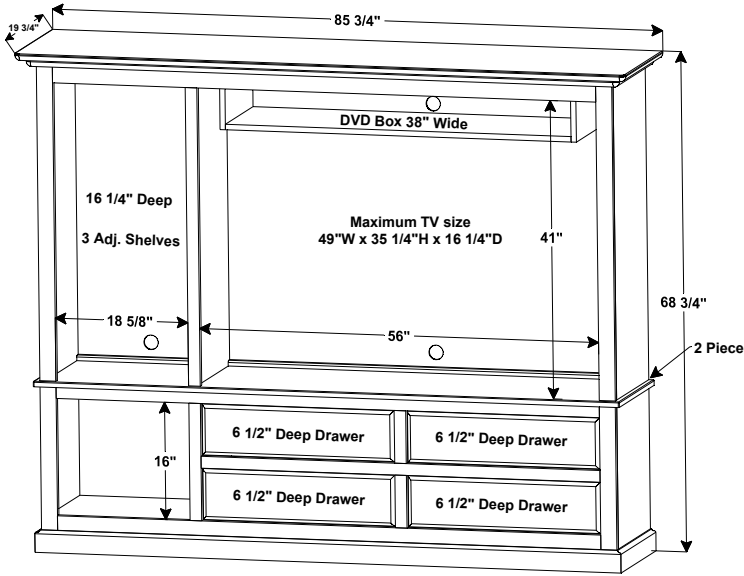
**FVE-05-CN**  
TV sits 21 1/4" off the floor



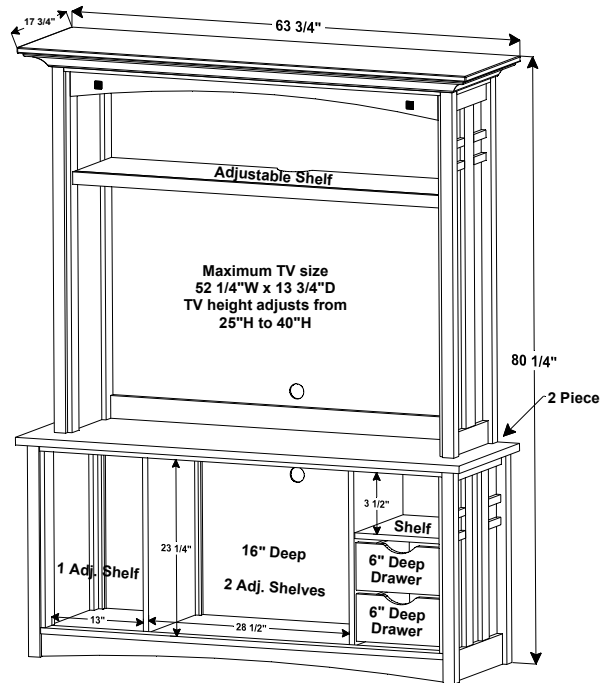
**FVE-06-CN**  
TV sits 22 3/4" off the floor

# Dimensional Details

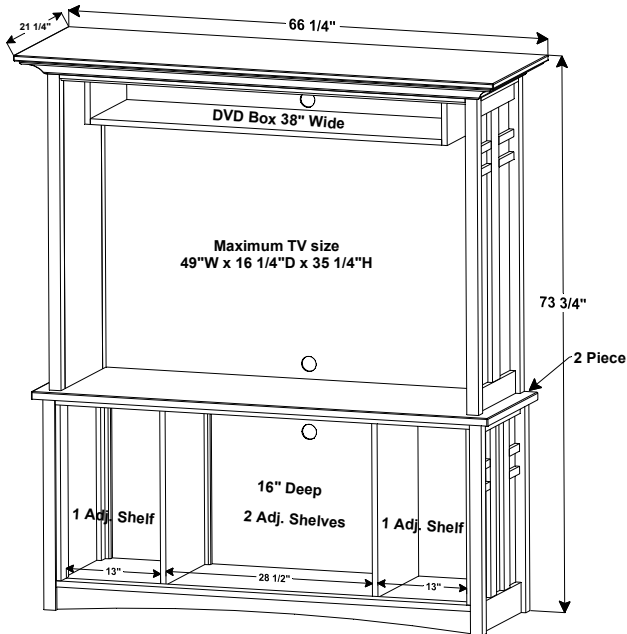
media stands, cabinets & consoles



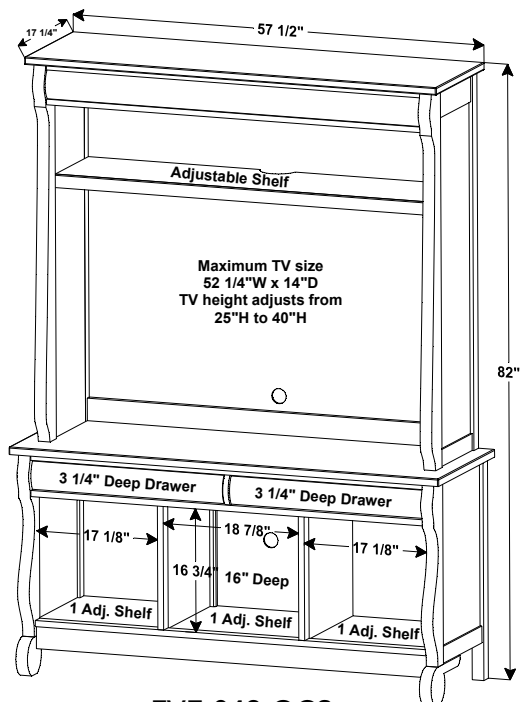
**FVE-039-FCM**  
TV sits 22½" off the floor



**FVE-060-KS**  
Base only: 63" W x 19¾" D x 29" H



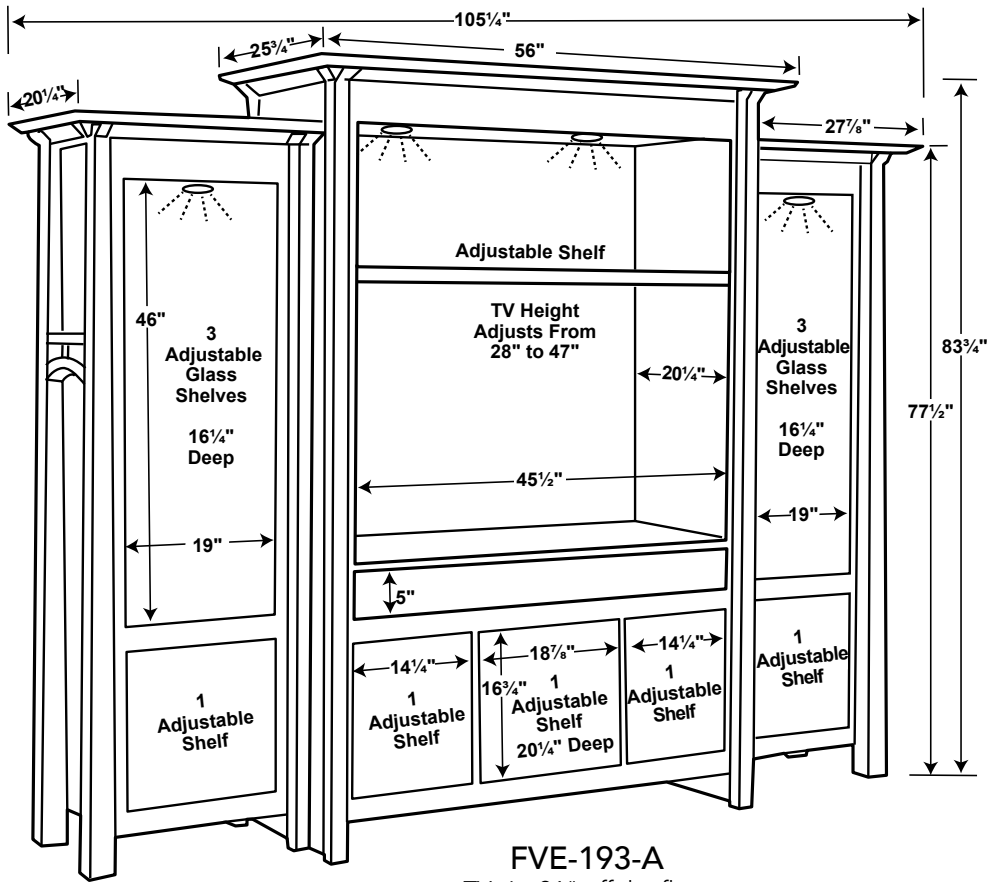
**FVE-2060-KS**  
TV sits 29" off the floor



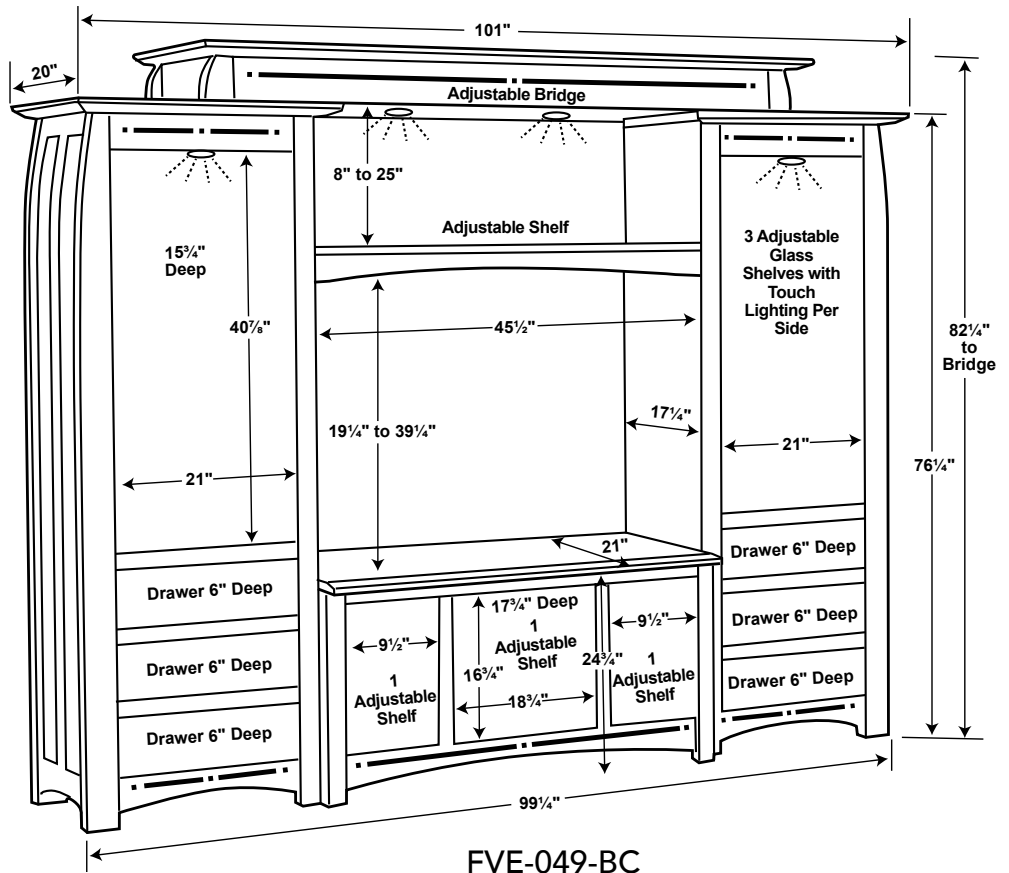
**FVE-043-OCS**  
Base only: 60" W x 20¼" D x 30½" H



# Dimensional Details | media wall units

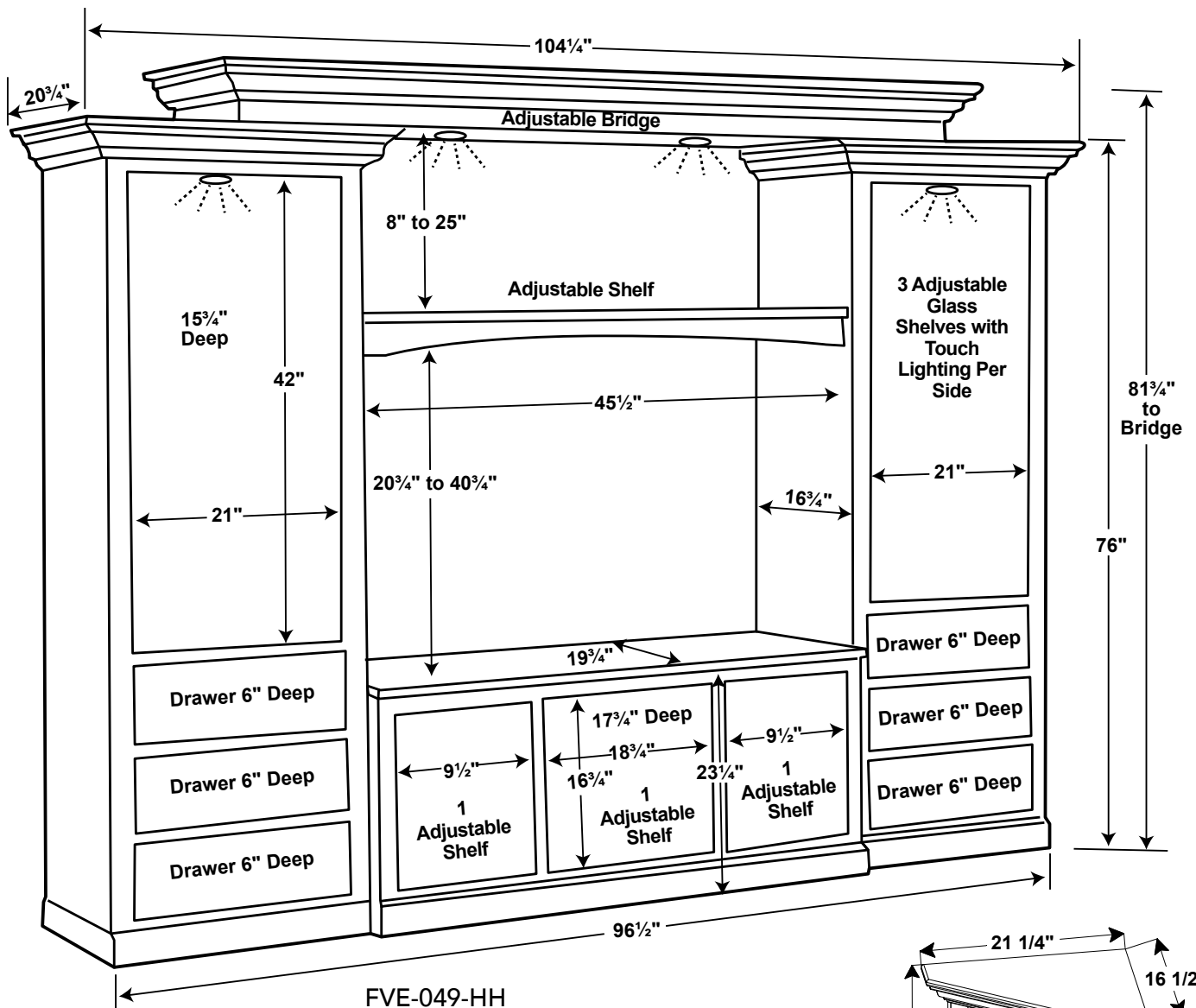


Available in 5  
different increments  
45 1/2" Wide; 50 1/2" Wide;  
55 1/2" Wide; 60 1/2" Wide;  
68 1/2" Wide  
*Please specify width  
when ordering*





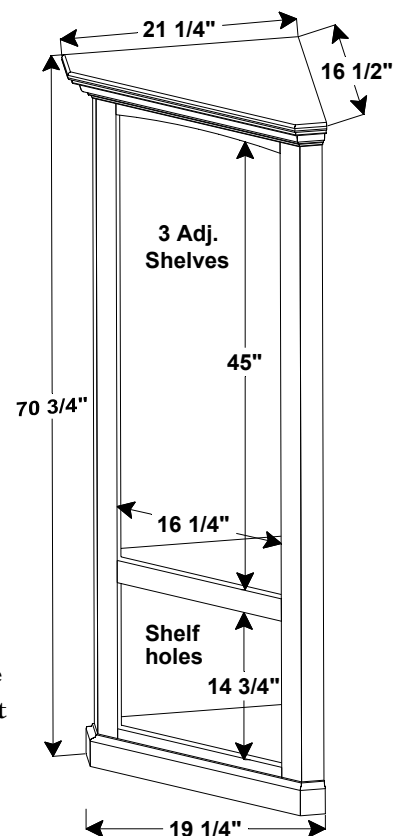
# Dimensional Details | media wall units



FVE-049-HH  
FVE-049-MM

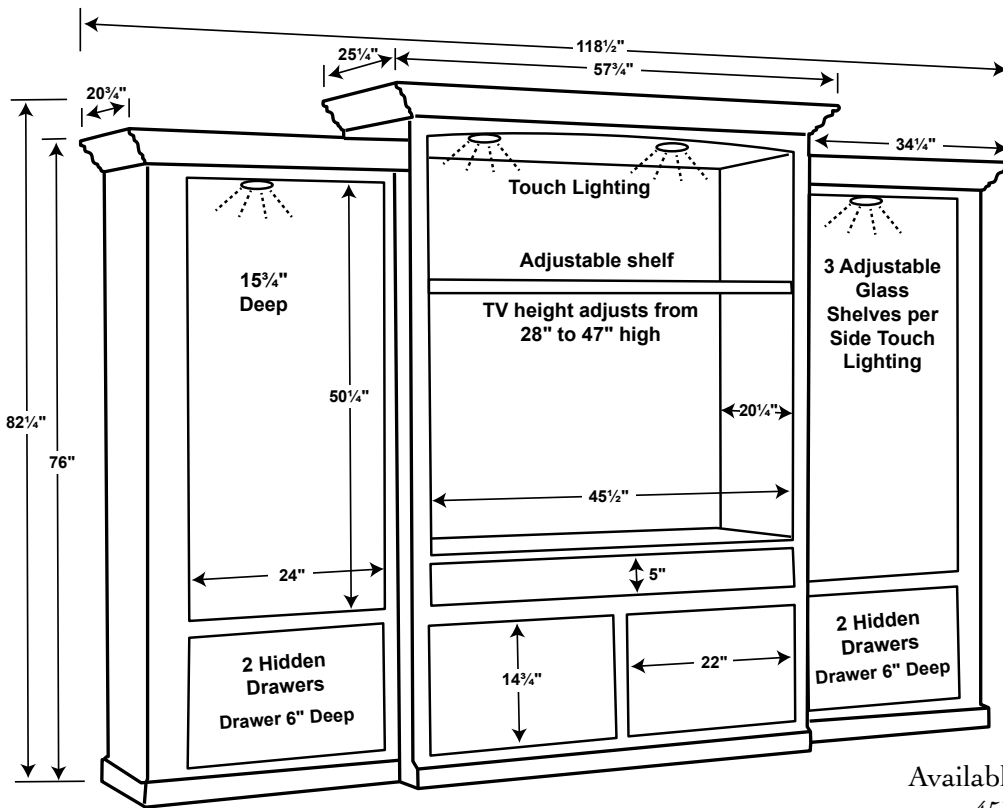
These overall measurements are for Manhattan Mission.  
Please deduct 2 1/4" in width for Hoosier Heritage style

Hoosier Heritage and Manhattan Mission consoles have same dimensions  
Available in 45 1/2", 50 1/2", 55 1/2", 60 1/2", 68 1/2" wide  
Height stays the same



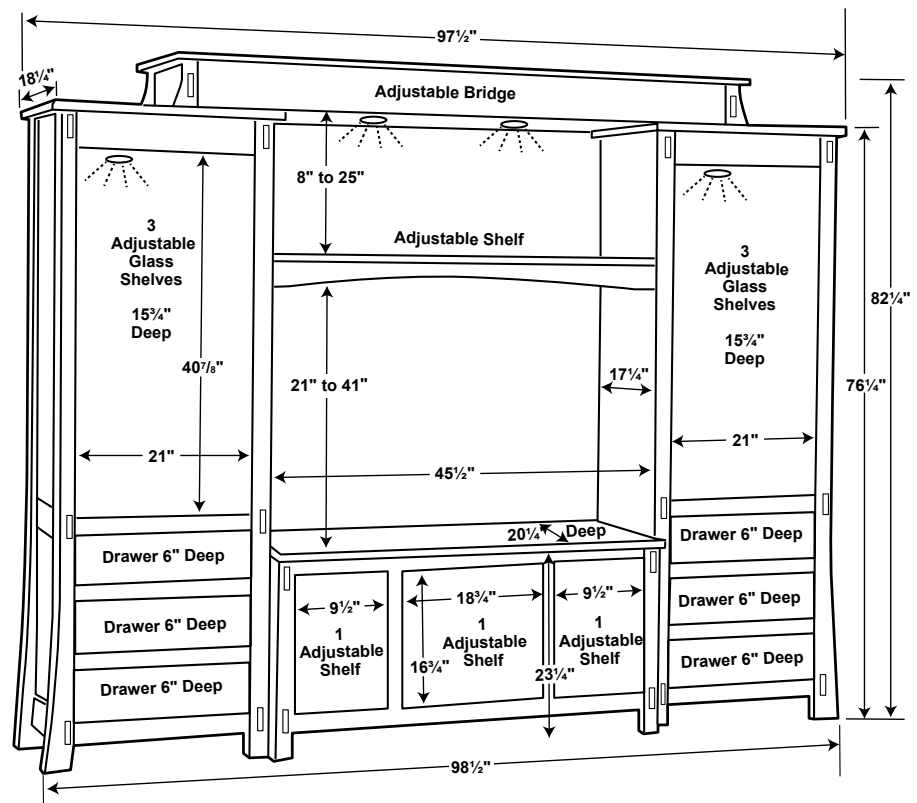
Optional side  
corner cabinet  
Available on  
FVE-049,  
FVE-193

# Dimensional Details | media wall units



**FVE-193-MM**  
**FVE-193-VS**  
 TV sits 26 3/4" off the floor  
 These overall measurements are for Manhattan Mission.  
 Please deduct 2 1/4" in width for Victorian style

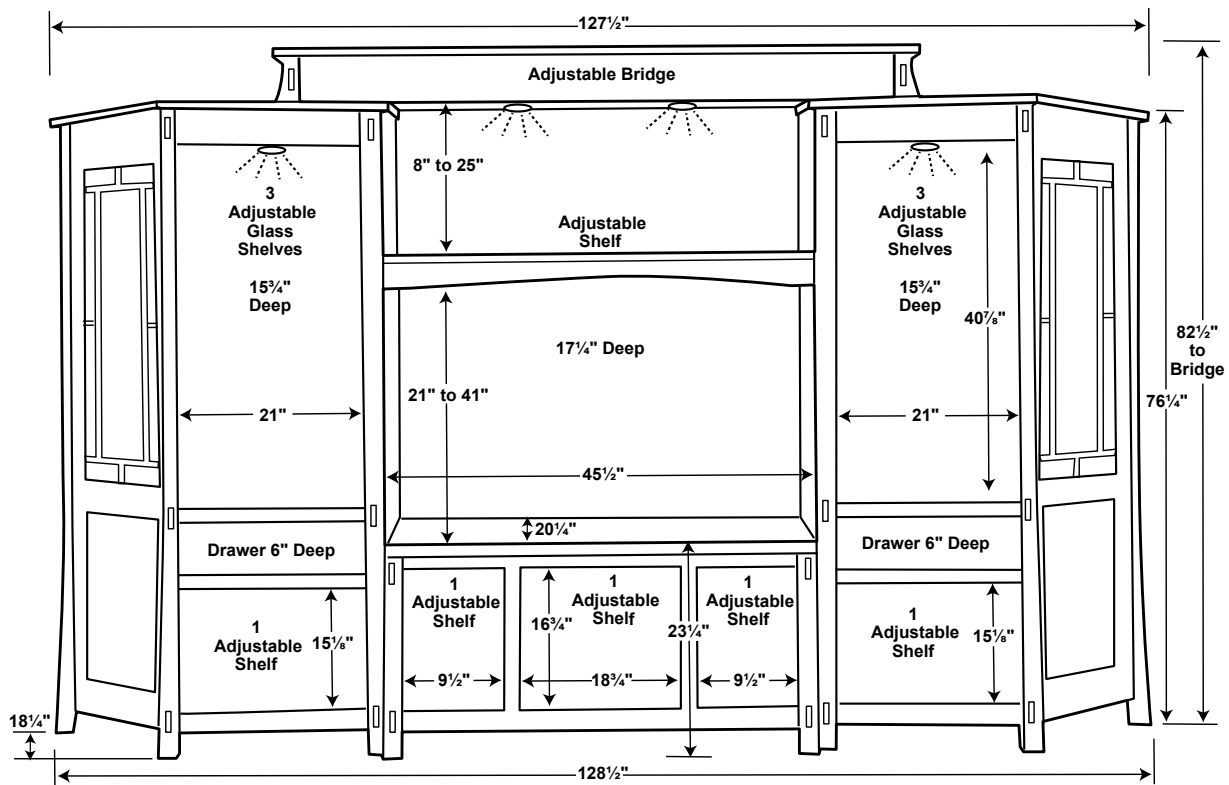
Available in 4 different increments  
 45 1/2" Wide; 50 1/2" Wide;  
 55 1/2" Wide; 60 1/2" Wide  
*Please specify width when ordering*



**FVE-049-MD**

Available in 5 different increments  
 45 1/2" Wide; 50 1/2" Wide; 55 1/2" Wide; 60 1/2" Wide; 68 1/2" Wide  
*Please specify width when ordering*

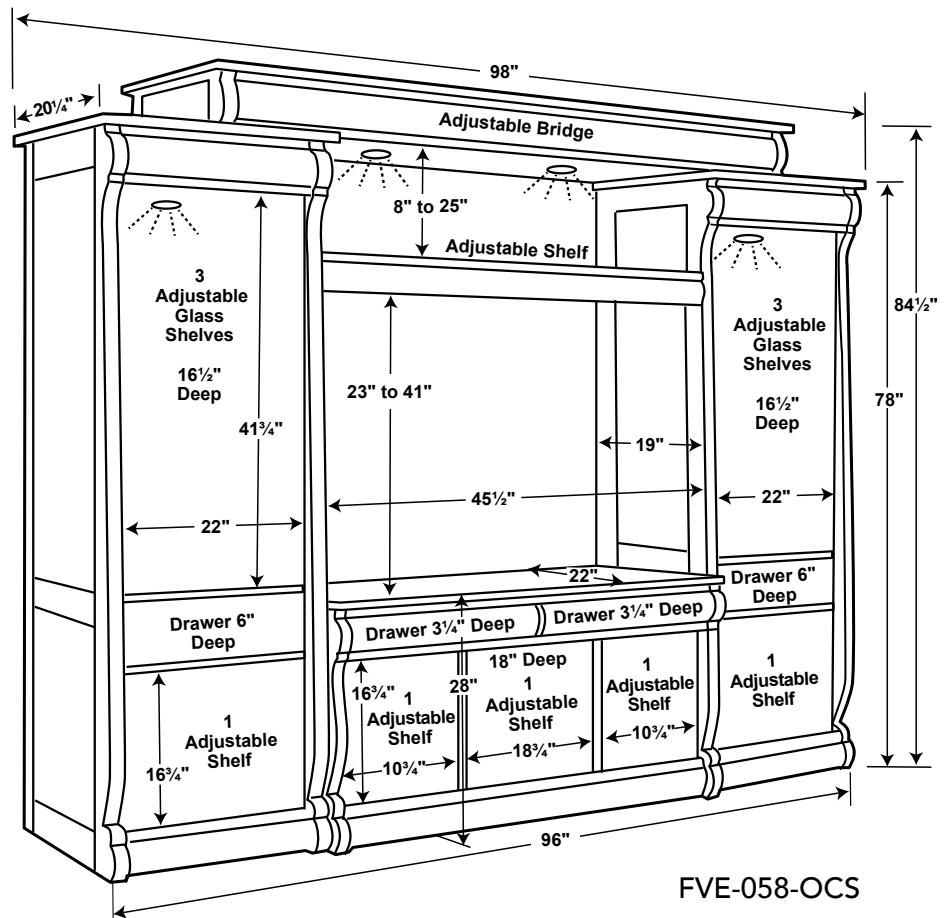
# Dimensional Details | media wall units



**FVE-051-MD**

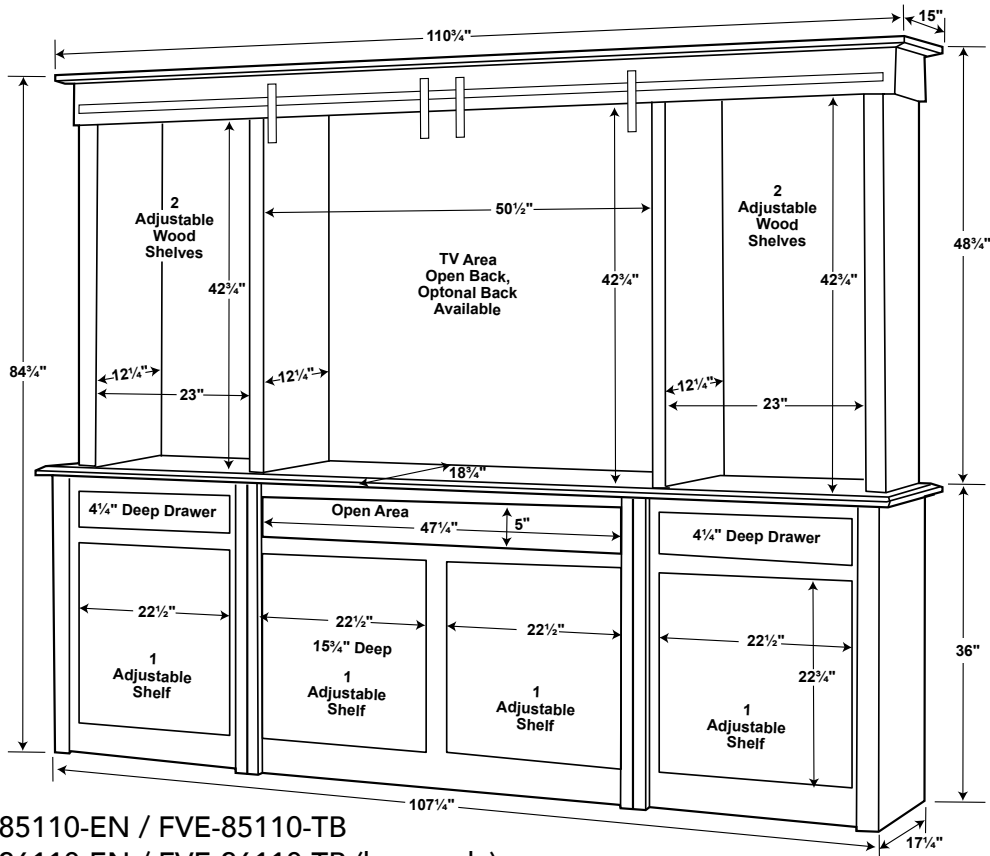
Available in 5 increments

45 1/2", 50 1/2", 55 1/2", 60 1/2", 68 1/2" wide – Height stays the same

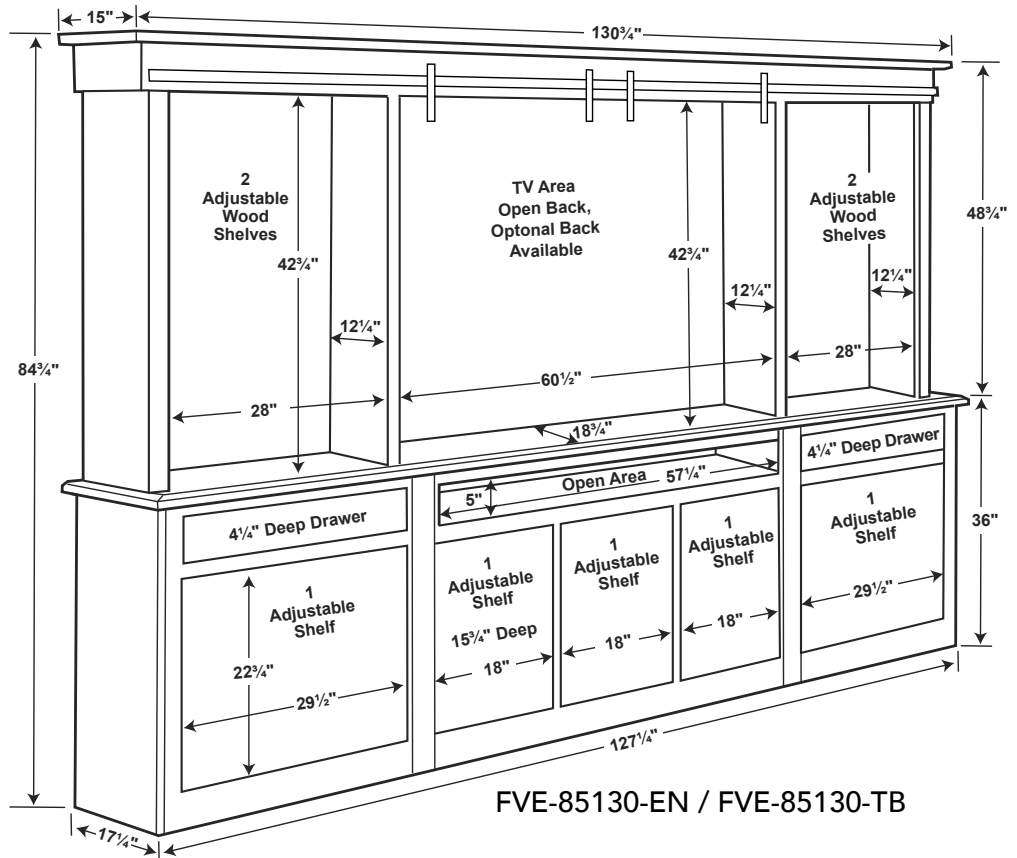


**FVE-058-OCS**

# Dimensional Details | media wall units

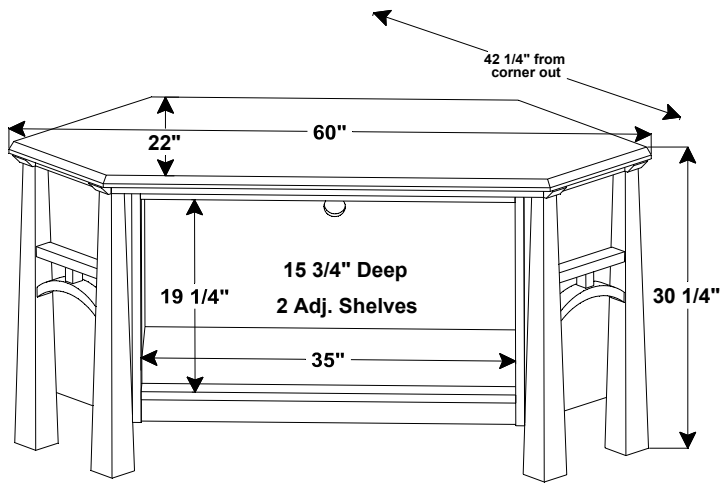


FVE-85110-EN / FVE-85110-TB  
 FVE-36110-EN / FVE-36110-TB (base only)

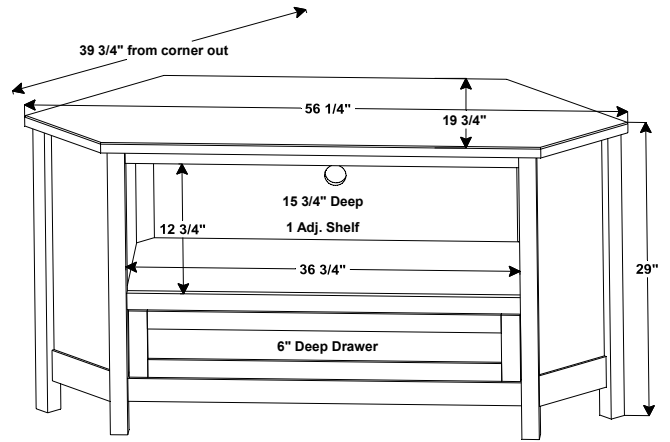


FVE-85130-EN / FVE-85130-TB

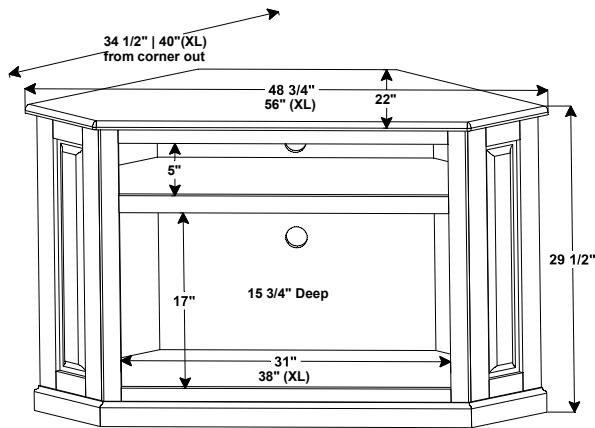
# Dimensional Details | media corner consoles & hutches



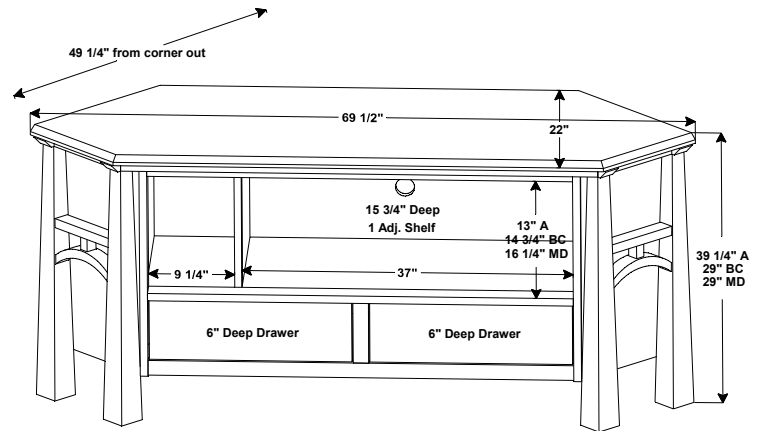
FVE-3060-A-BP



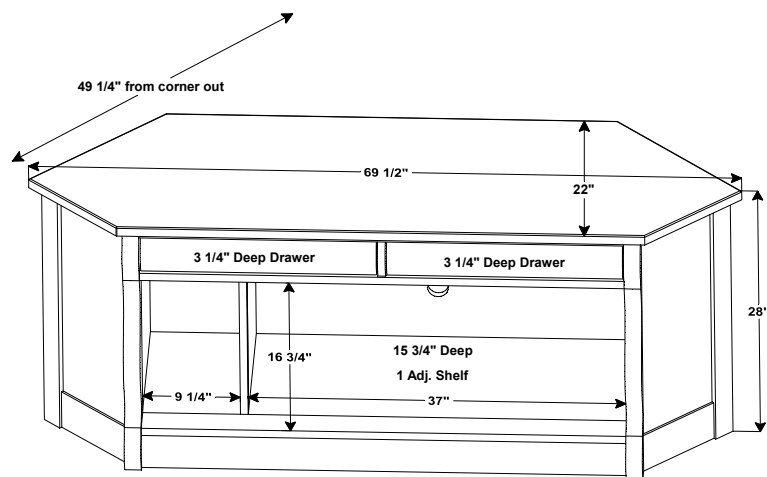
FVE-2956-BC  
FVE-2956-CN



FVE-033-C, FVE-033-M,  
FVE-033-CXL

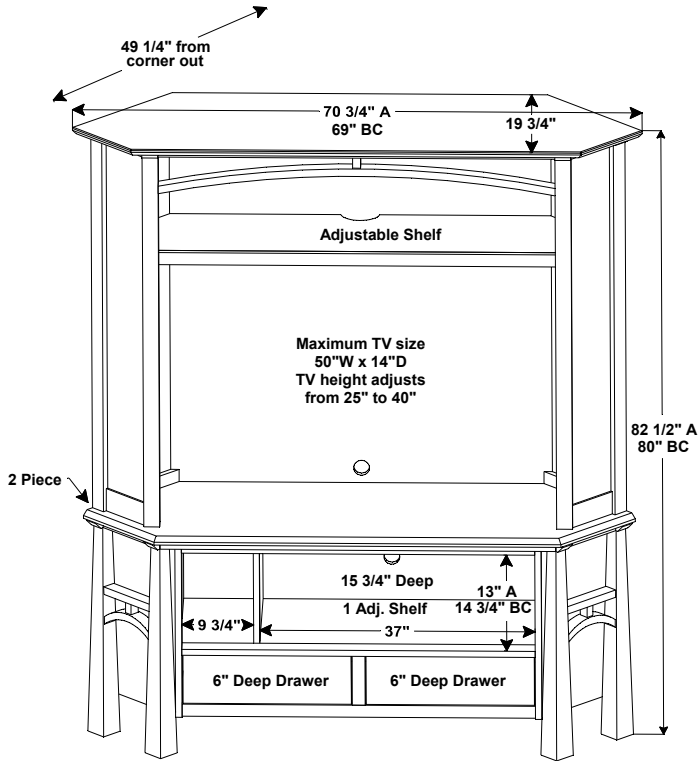


FVE-053-A-BP,  
FVE-053-BC-BP,  
FVE-053-MD-BP



FVE-053-OCS-BP

# Dimensional Details | media corner consoles & hutches

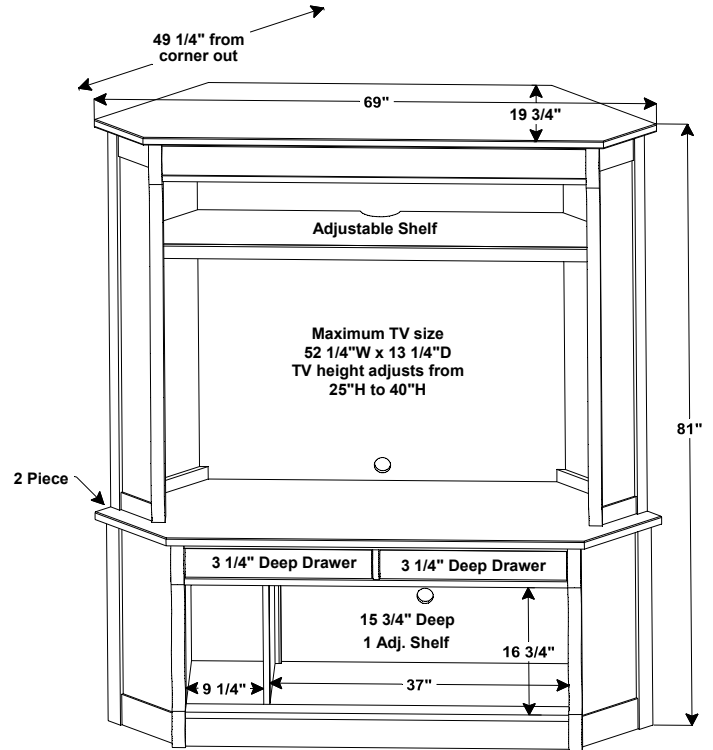


## FVE-053-A

Base only 69½" W x 22" D x 30¼" H

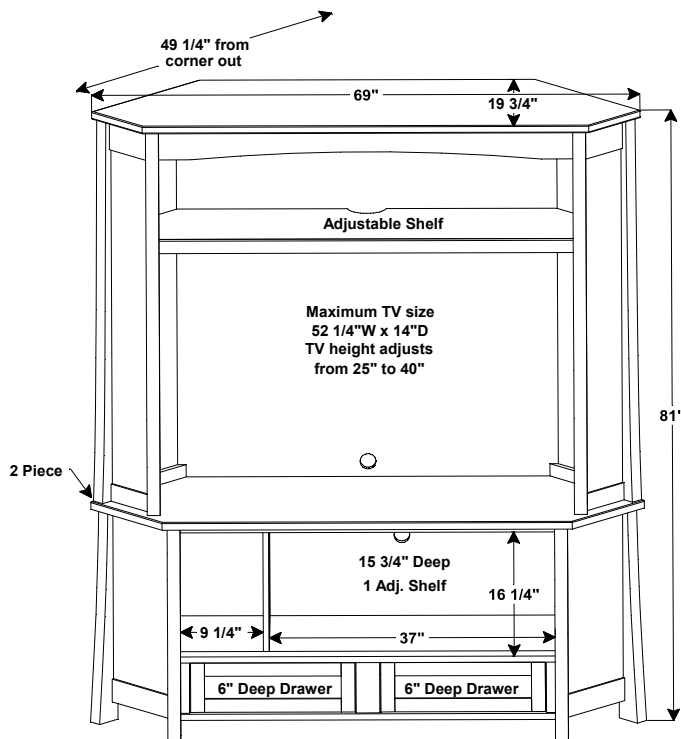
## FVE-053-BC

Base only 69½" W x 22" D x 29" H



## FVE-053-OCS

Base only 69½" W x 22" D x 28" H

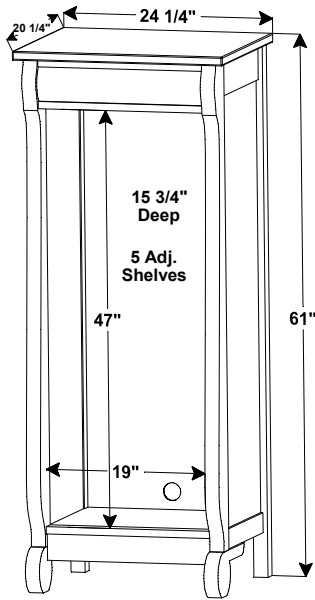


## FVE-053-MD

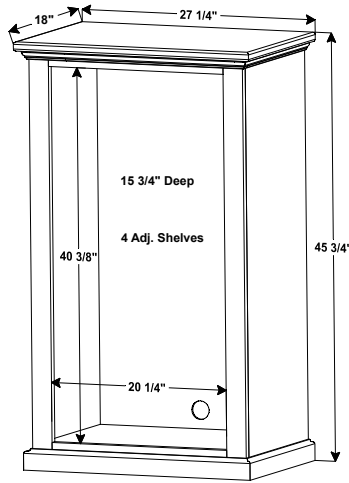
Base only 69½" W x 22" D x 29" H



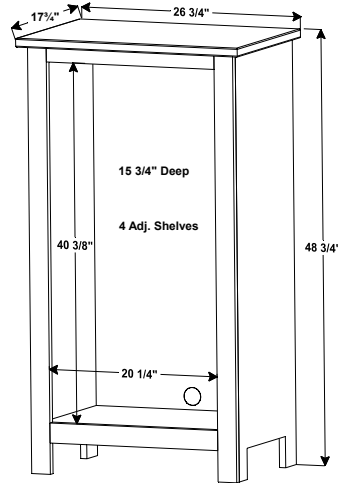
# Dimensional Details | stereo cabinets & back bar



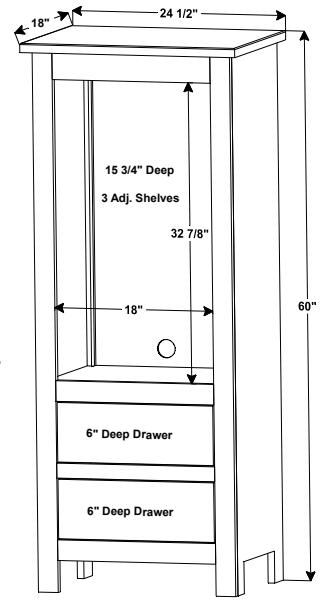
FVE-026-OCS



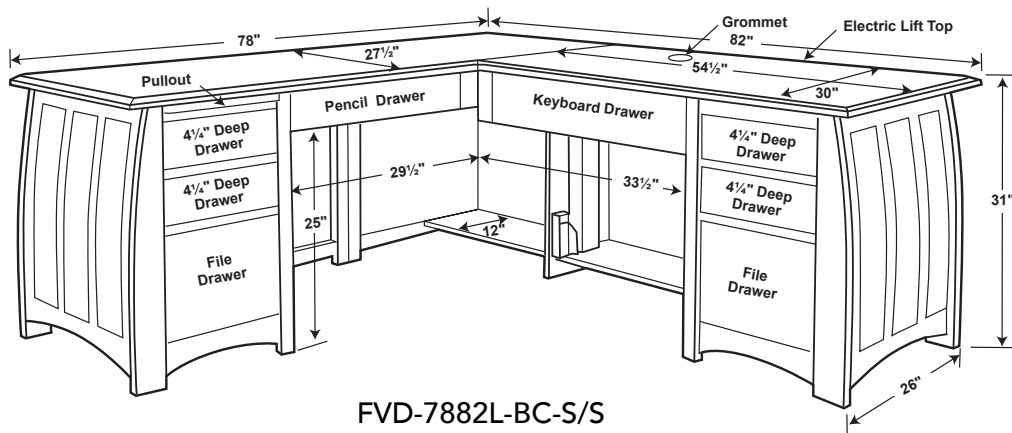
FVE-026-C



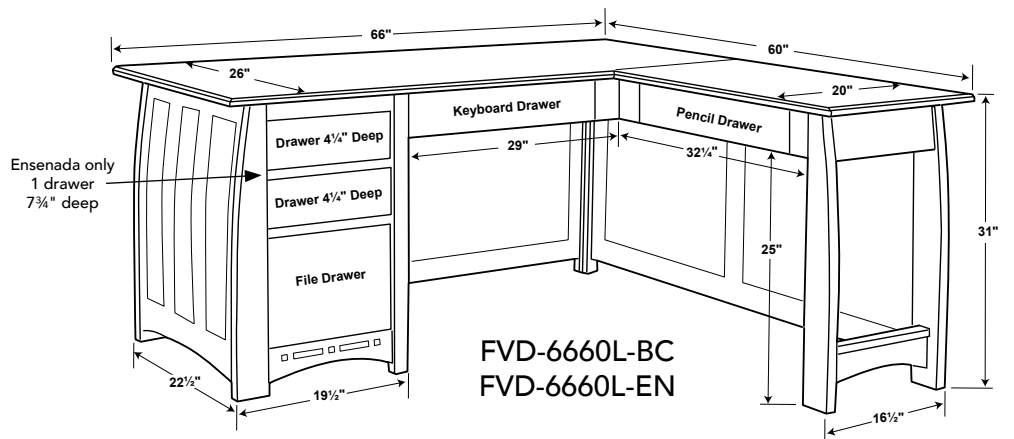
FVE-026-M



FVE-027-M

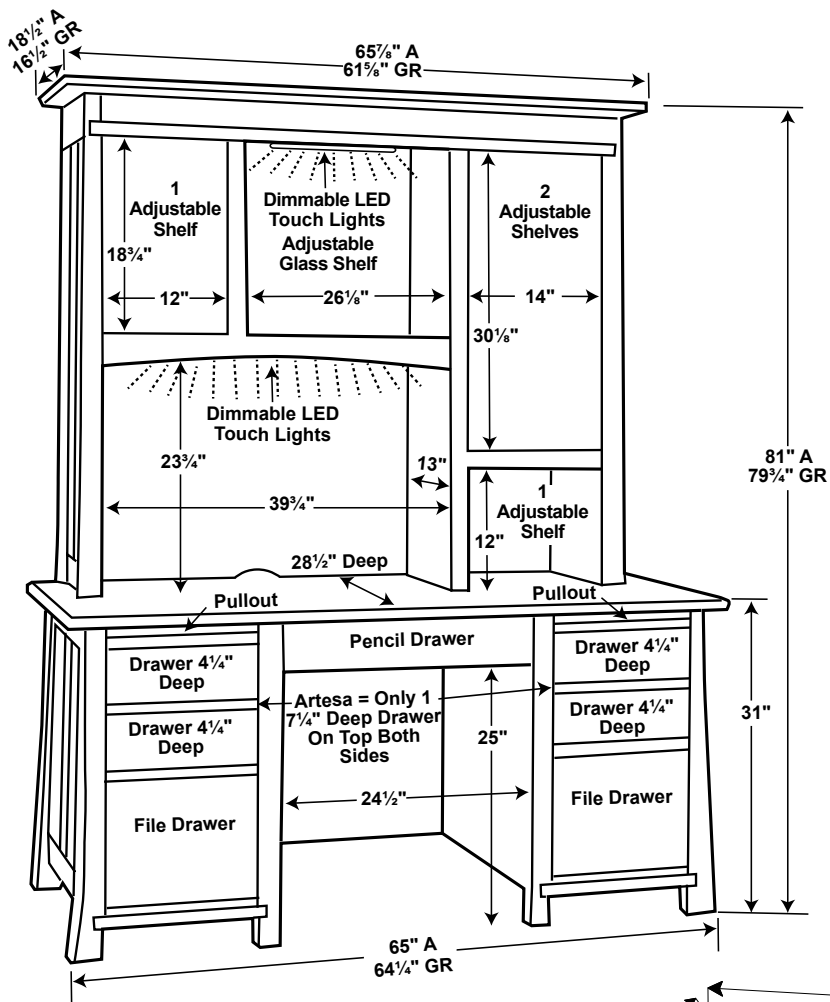


FVD-7882L-BC-S/S

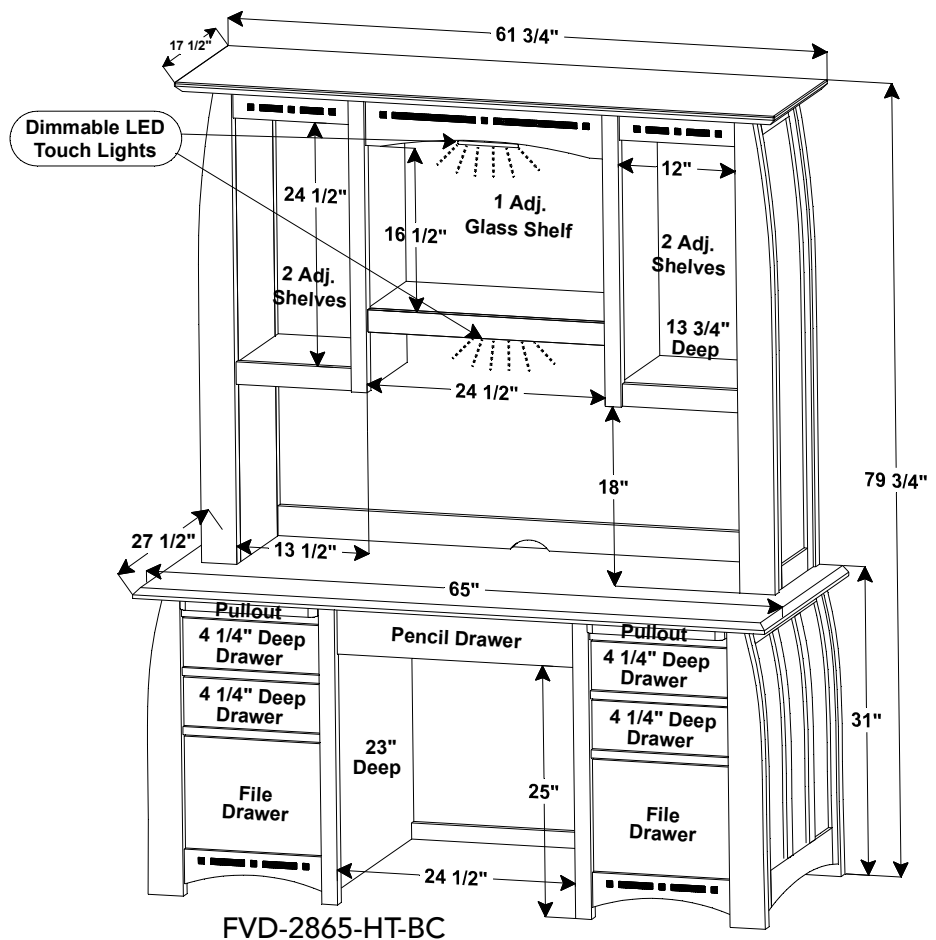


FVD-6660L-BC  
FVD-6660L-EN

# Dimensional Details | 2 piece desks

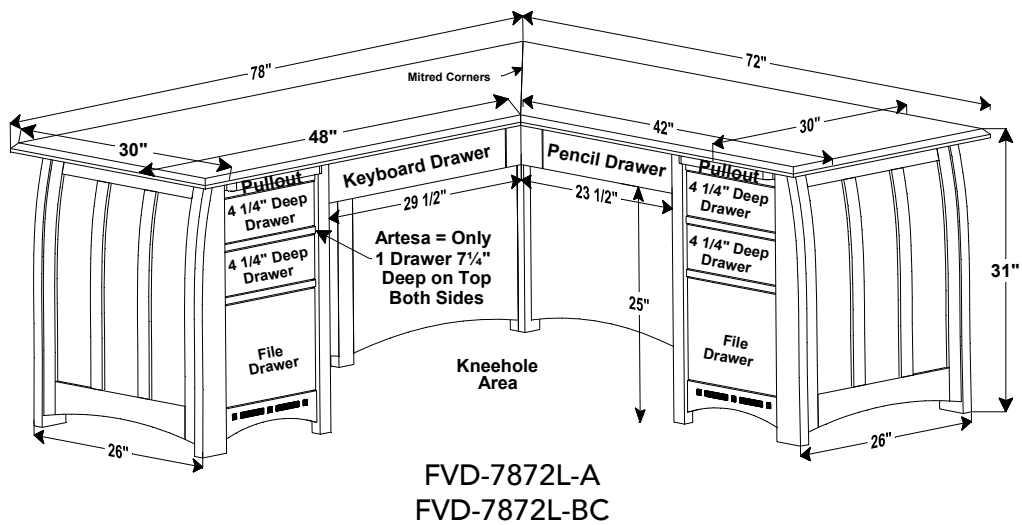
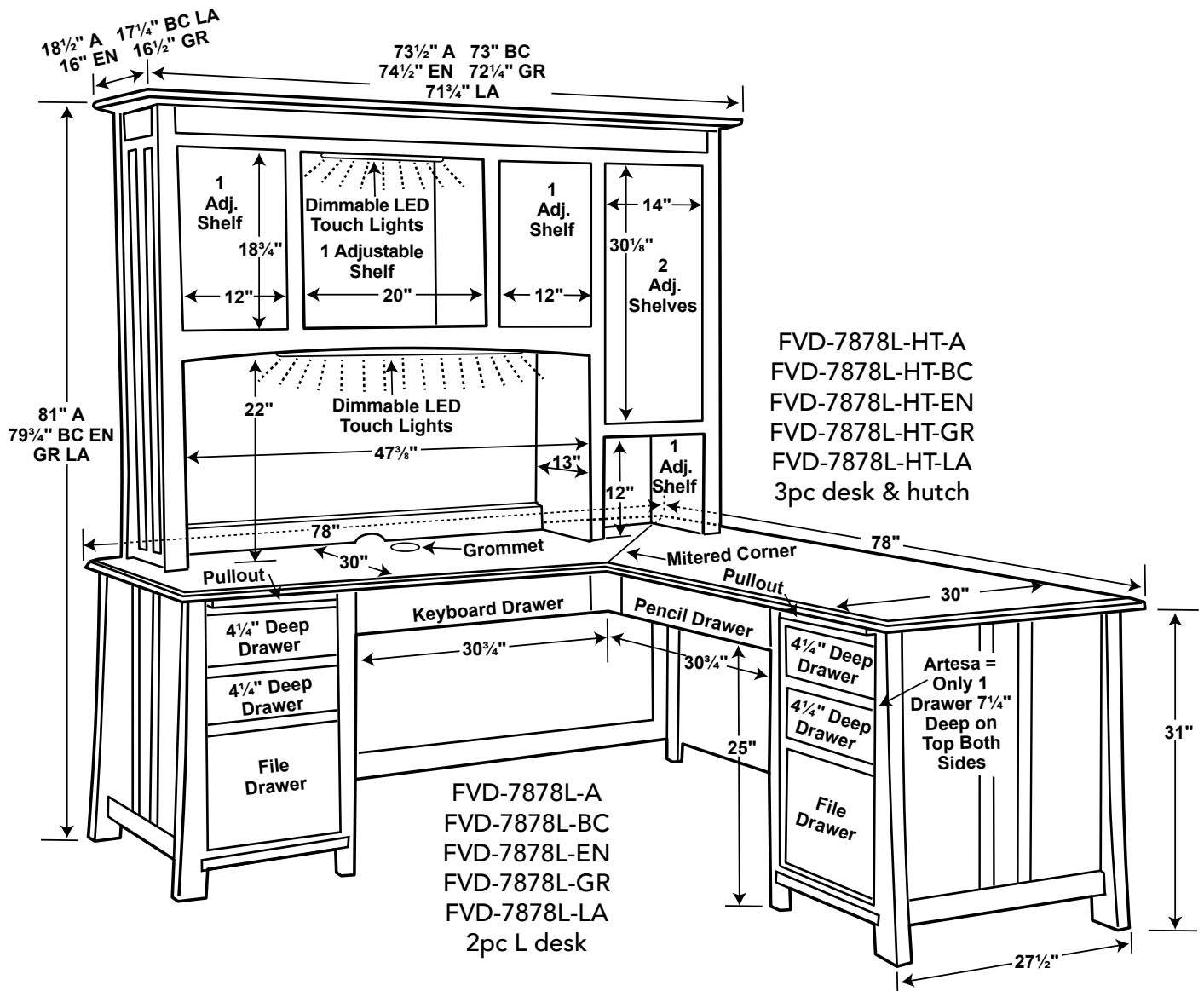


FVD-2865-HT-A  
FVD-2865-HT-GR

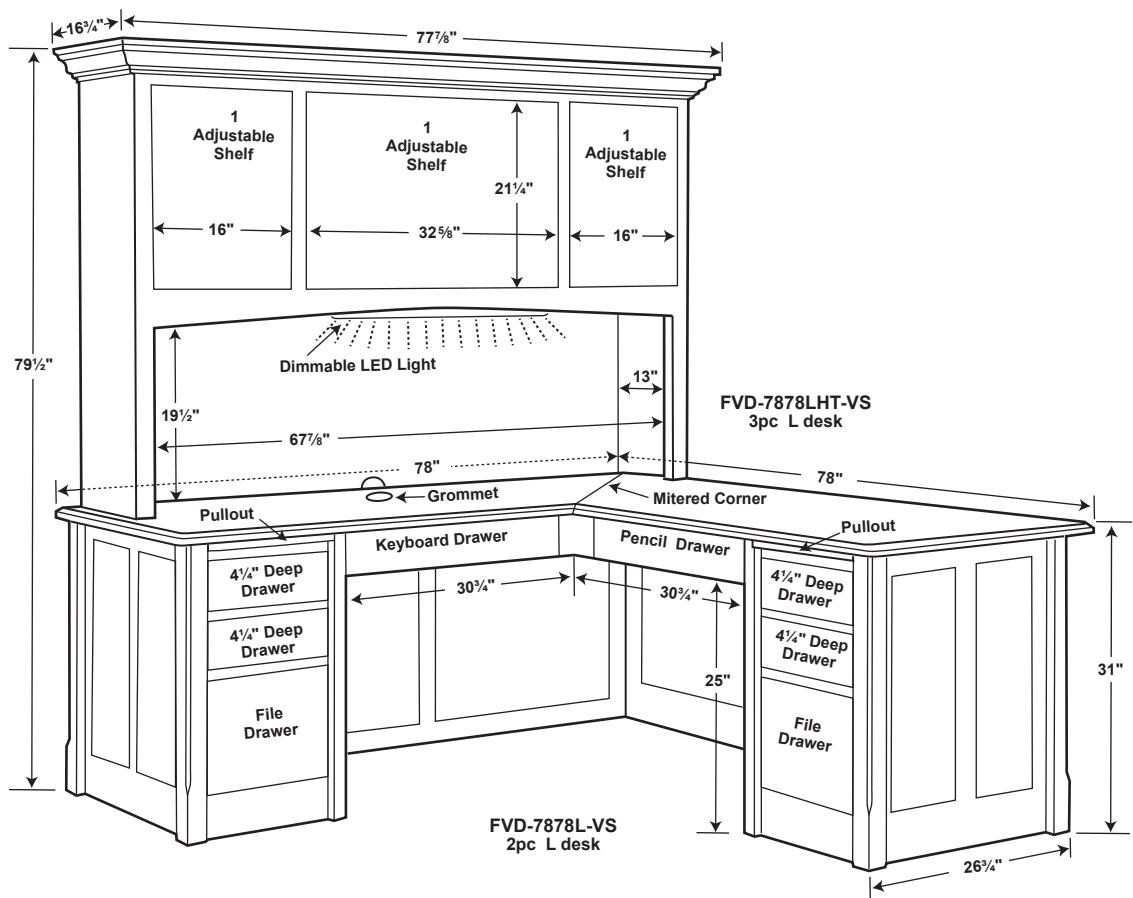
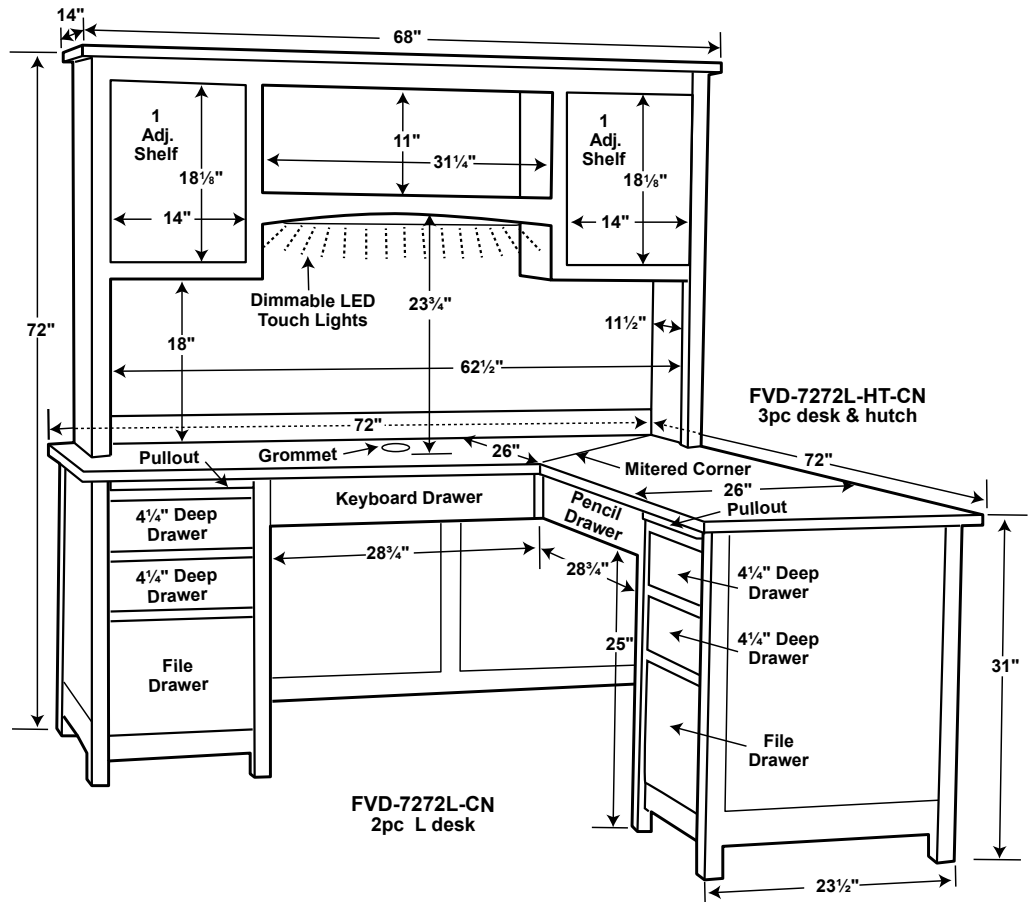


FVD-2865-HT-BC

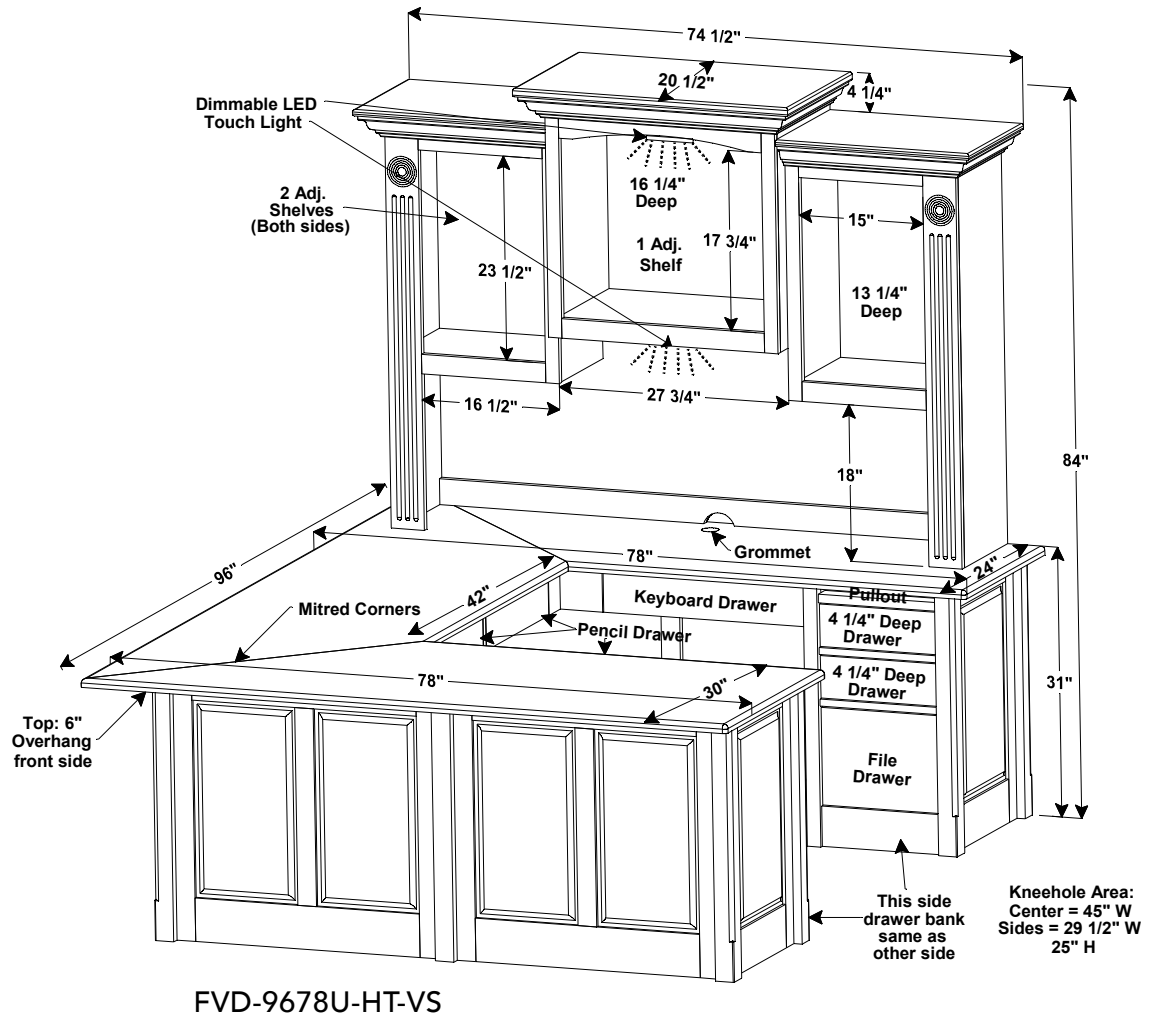
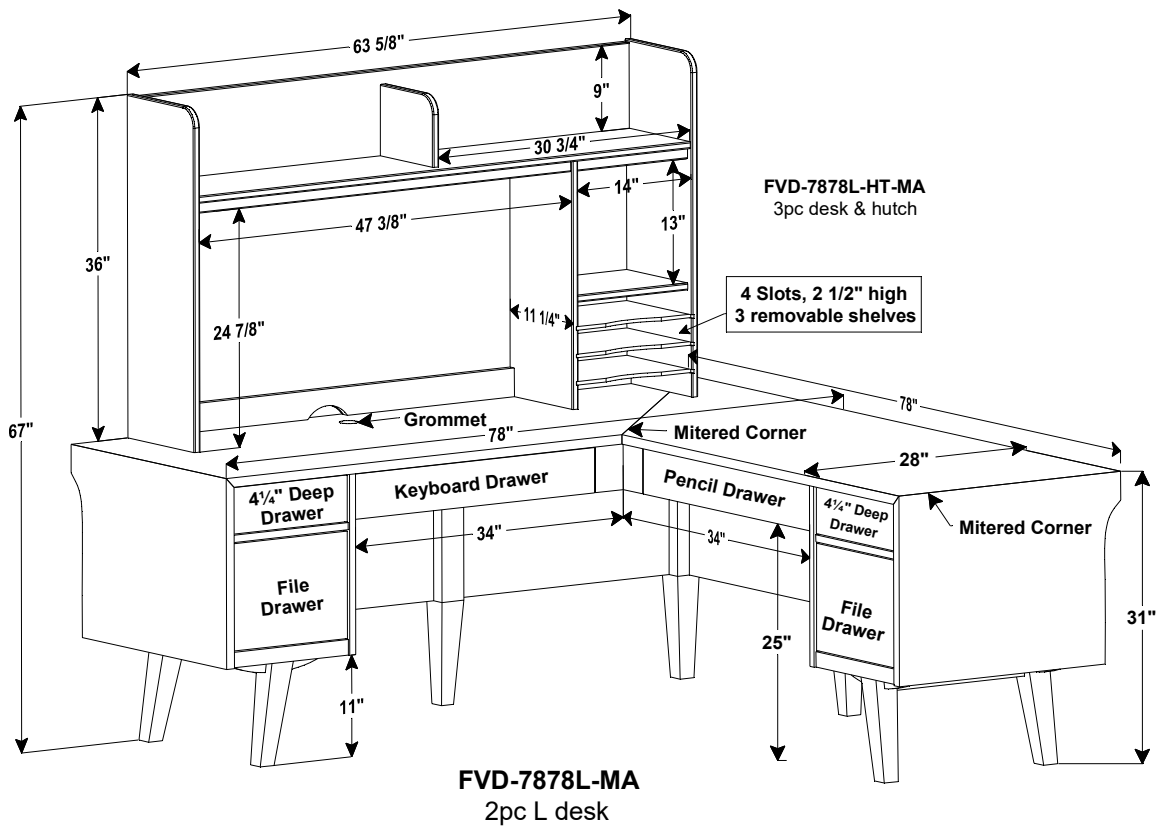
# Dimensional Details | L desks



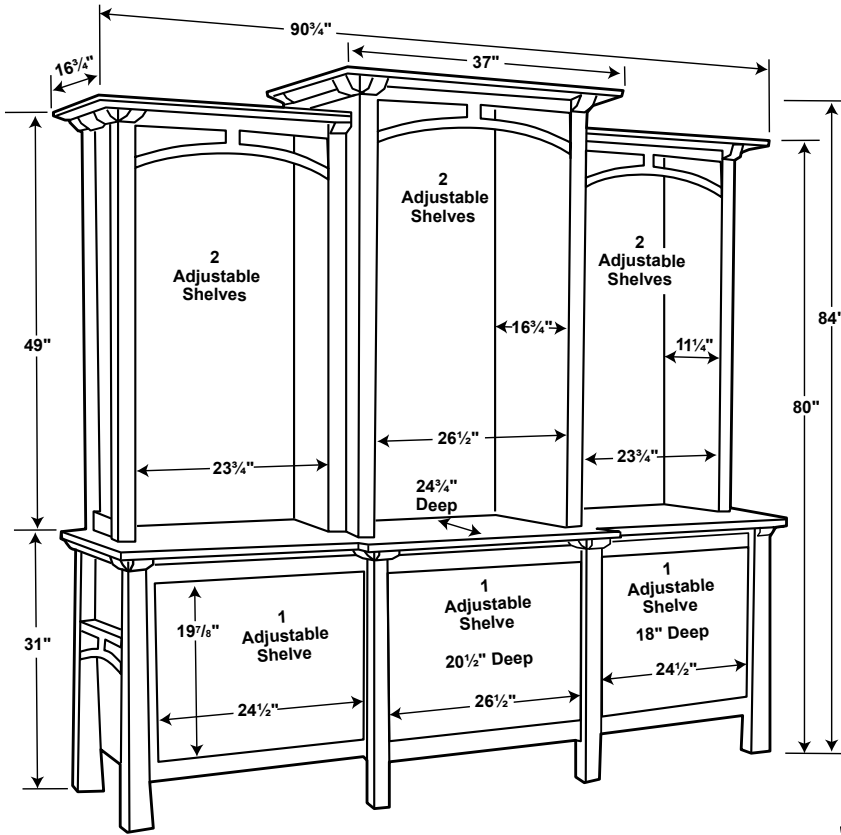
# Dimensional Details | L desks



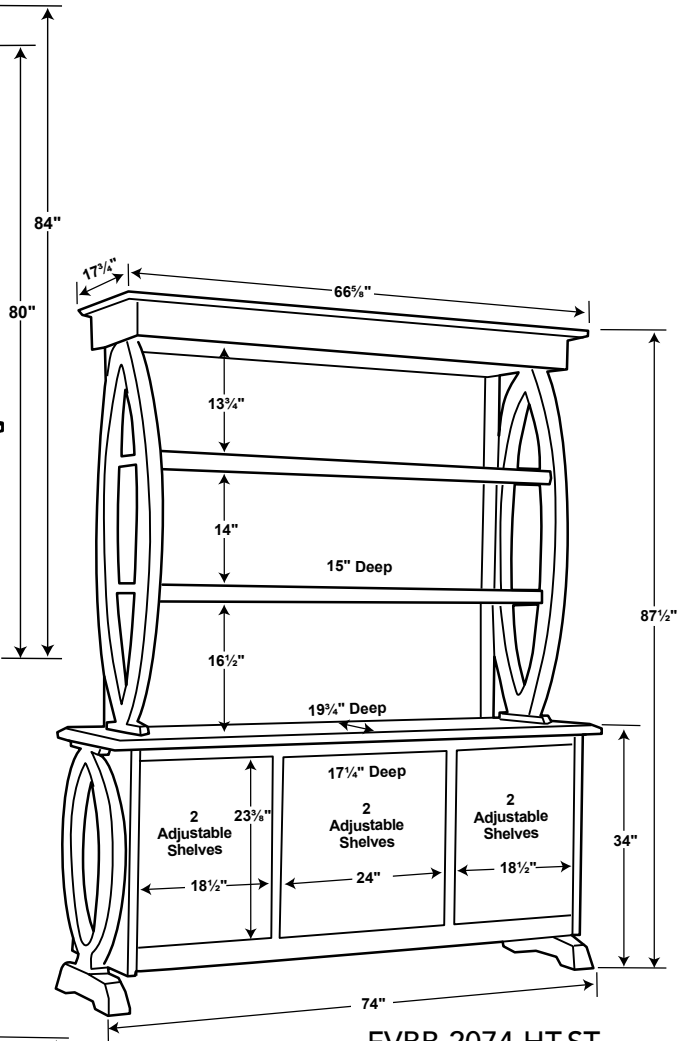
# Dimensional Details | L desk & 4 piece desk



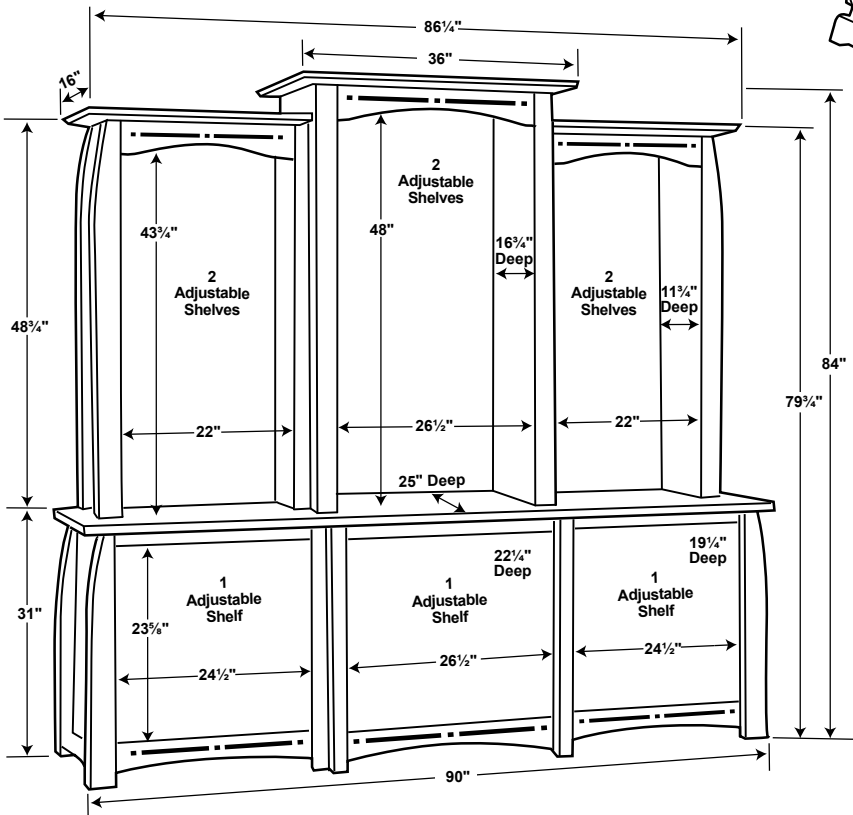
# Dimensional Details | back bars



FVBB-2590-HT-A



FVBB-2074-HT-ST



FVBB-2590-HT-BC



## LIMITED WARRANTY

Forks Valley Woodworking will honor limited warranty to the original owner of the furniture against any manufacturing defects for the following:

- 5 years on cracks in wood parts, providing the customer has between 35%-45% humidity-controlled environment.
- 3 years on metal parts and mechanical mechanisms (desk lifts)
- 2 years on electrical components (desk lifts, lighting, etc.)



**FORKS VALLEY  
WOODWORKING**

© 2024 Forks Valley Woodworking